

IR C3200 Series

PARTS CATALOG

REVISION 0

Canon

NOV. 2002

FY8-31FW-000

PREFACE

This Parts Catalog contains listings of parts used in the Canon iR C3200 Series. Diagrams are provided with the listings to aid the service technician in identifying clearly, the item to be ordered.

Whenever ordering parts, consult this Parts Catalog for all of the information pertaining to each item. Be sure to include, in the Parts Request, the full item description, the item part number, and the quantity.

Canon Inc.

Office Imaging Products Device Quality Assurance Center
5-1, Hakusan 7-chome,
Toride-city, Ibaraki 302-8501, Japan

COPYRIGHT © 2002 CANON INC.

Printed in Japan

Imprimé au Japon

Use of this manual should be strictly supervised to avoid disclosure of confidential information.

CONTENTS

– Color Image Reader-C1 –	
A.	ASSEMBLY LOCATION DIAGRAM
001.	MOUNTING HARDWARE
100.	EXTERNAL COVERS, PANELS, ETC.
160.	COPYBOARD COVER ASSEMBLY
210.	READER ASSEMBLY
420.	MIRROR ASSEMBLY 1
430.	MIRROR ASSEMBLY 2
931.	READER CONTROLLER PCB ASSEMBLY
941.	INTERFACE PCB ASSEMBLY
B.	LIST OF CONNECTORS
– iR C3200/Color imageRUNNER C3200 –	
A.	ASSEMBLY LOCATION DIAGRAM
100.	EXTERNAL COVERS, PANELS, ETC.
101.	MACHINE FRONT PLATE
102.	INTERNAL COMPONENTS 1
103.	INTERNAL COMPONENTS 2
104.	INTERNAL COMPONENTS 3
105.	INTERNAL COMPONENTS 4
106.	INTERNAL COMPONENTS 5
107.	MACHINE REAR PLATE 1
108.	MACHINE REAR PLATE 2
120.	DOOR SWITCH ASSEMBLY
125.	VERTICAL PATH PANEL ASSEMBLY
130.	CONTROL PANEL ASSEMBLY
190.	FIXING EXHAUST FAN ASSEMBLY
191.	CLEANING COOLING FAN ASSEMBLY
192.	MACHINE EXHAUST FAN ASSEMBLY
193.	DELIVERY COOLING FAN ASSEMBLY
194.	MULTI FAN ASSEMBLY (DUPLEX TYPE)
251.	DRUM DRIVE ASSEMBLY
260.	PICK-UP MOTOR DRIVE ASSEMBLY
270.	DEVELOPING DRIVE ASSEMBLY
271.	INTERMEDIATE TRANSFER BELT DRIVE ASSEMBLY
272.	TONER CARTRIDGE DRIVE ASSEMBLY
280.	FIXING DRIVE ASSEMBLY
300.	CASSETTE
305.	CASSETTE HEATER ASSEMBLY (OPTION)
310.	PAPER PICK-UP ASSEMBLY
315.	MULTI FEED ASSEMBLY
316.	MULTI FEED TRAY ASSEMBLY
321.	PATTERN READER ASSEMBLY
330.	FIXING FEEDER ASSEMBLY (PLAIN TYPE)
350.	FACE-UP DELIVERY ASSEMBLY (PLAIN TYPE)
351.	DELIVERY VERTICAL PATH ASSEMBLY
360.	DUPLEXING ASSEMBLY (DUPLEX TYPE)
361.	EXTERNAL DELIVERY COVER ASS'Y (DUPLEX TYPE)
365.	MULTI PAPER FEED MOUNT ASSEMBLY
460.	LASER UNIT
535.	INTERMEDIATE TRANSFER BELT ASSEMBLY
537.	TRANSFER CLEANING ASSEMBLY
560.	SECONDARY TRANSFER ASSEMBLY
810.	FIXING ASSEMBLY
900.	CONTROLLER ASSEMBLY
910.	DC POWER SUPPLY ASSEMBLY
930.	DC CONTROLLER PCB ASSEMBLY
980.	H.V.TRANSFORMER PCB ASSEMBLY
981.	2ND. TRANSFER H.V.T. PCB ASSEMBLY
B.	LIST OF CONNECTORS
– Paper Deck-P1 –	
RA.	ASSEMBLY LOCATION DIAGRAM
R01.	MOUNTING HARDWARE
R10.	EXTERNAL COVERS, PANELS, ETC.
R11.	INTERNAL COMPONENTS

CONTENTS

R30. PAPER STOCK ASSEMBLY	- -
R35. PAPER DECK HEATER ASSEMBLY (OPTION)	
R40. PAPER PICK-UP ASSEMBLY	G90. LIPS UP-GRADE KIT
RB. LIST OF CONNECTORS	- Super G3 FAX Board-M1 -
	GA. ASSEMBLY LOCATION DIAGRAM
- Cassette Feeding Unit-X1 -	
ZA. ASSEMBLY LOCATION DIAGRAM	G10. FAX ASSEMBLY
	G20. FAX BOARD PCB ASSEMBLY
Z10. EXTERNAL COVERS, PANELS, ETC.	
Z11. INTERNAL COMPONENTS	GB. LIST OF CONNECTORS
Z12. RIGHT DOOR ASSEMBLY	
Z20. PAPER PICK-UP DRIVE ASSEMBLY	- UFR Printer and Scanner Kit-A1 -
Z30. CASSETTE	GA. ASSEMBLY LOCATION DIAGRAM
Z32. CASSETTE HEATER ASSEMBLY (MLK)	
Z40. PAPER PICK-UP ASSEMBLY	G95. UFR PRINTER AND SCANNER KIT-A1
Z90. PEDESTAL CONTROLLER PCB ASSEMBLY	
Z91. POWER SUPPLY PCB ASSEMBLY	- Color Network Multi-PDL Printer Kit-A1 -
ZB. LIST OF CONNECTORS	GA. ASSEMBLY LOCATION DIAGRAM
	G96. C.N/W MULTI-PDL PRINTER KIT-A1
- Plain Pedestal-C1 -	
ZA. ASSEMBLY LOCATION DIAGRAM	- Color Universal Send Kit-A1 -
Z10. EXTERNAL COVERS, PANELS, ETC.	Y10. COLOR UNIVERSAL SEND KIT-A1
Z11. INTERNAL COMPONENTS	
Z90. PEDESTAL CONTROLLER PCB ASSEMBLY	
Z91. POWER SUPPLY PCB ASSEMBLY	
ZB. LIST OF CONNECTORS	

CONTENTS

– iR Security Kit-A1 –

Y10. IR SECURITY KIT-A1

C. LIST OF STANDARD FASTENERS

D1. NUMERICAL INDEX

(Color Image Reader-C1)

D2. NUMERICAL INDEX

(iR C3200/Color imageRUNNER C3200)

D3. NUMERICAL INDEX

(Paper Deck-P1)

D4. NUMERICAL INDEX

(Cassette Feeding Unit-X1)

D5. NUMERICAL INDEX

(Plain Pedestal-C1)

D6. NUMERICAL INDEX

D7. NUMERICAL INDEX

(Super G3 FAX Board-M1)

D8. NUMERICAL INDEX

(UFR Printer and Scanner Kit-A1)

D9. NUMERICAL INDEX

(Color Network Multi-PDL Printer Kit-A1)

D10. NUMERICAL INDEX

(Color Universal Send Kit-A1)

D11. NUMERICAL INDEX

(iR Security Kit-A1)

Color Image Reader-C1

A SIZE	F14 - 2321	XLY00001 -
INCH/A SIZE	F14 - 2331	XLX00001 -
INCH/AB SIZE	F14 - 2341	XLZ00001 -

CONTENTS

- A. ASSEMBLY LOCATION DIAGRAM
 - 001. MOUNTING HARDWARE
 - 100. EXTERNAL COVERS, PANELS, ETC.
 - 160. COPYBOARD COVER ASSEMBLY
 - 210. READER ASSEMBLY
 - 420. MIRROR ASSEMBLY 1
 - 430. MIRROR ASSEMBLY 2
 - 931. READER CONTROLLER PCB ASSEMBLY
 - 941. INTERFACE PCB ASSEMBLY
- B. LIST OF CONNECTORS
- D1. NUMERICAL INDEX

FIGURE A ASSEMBLY LOCATION DIAGRAM

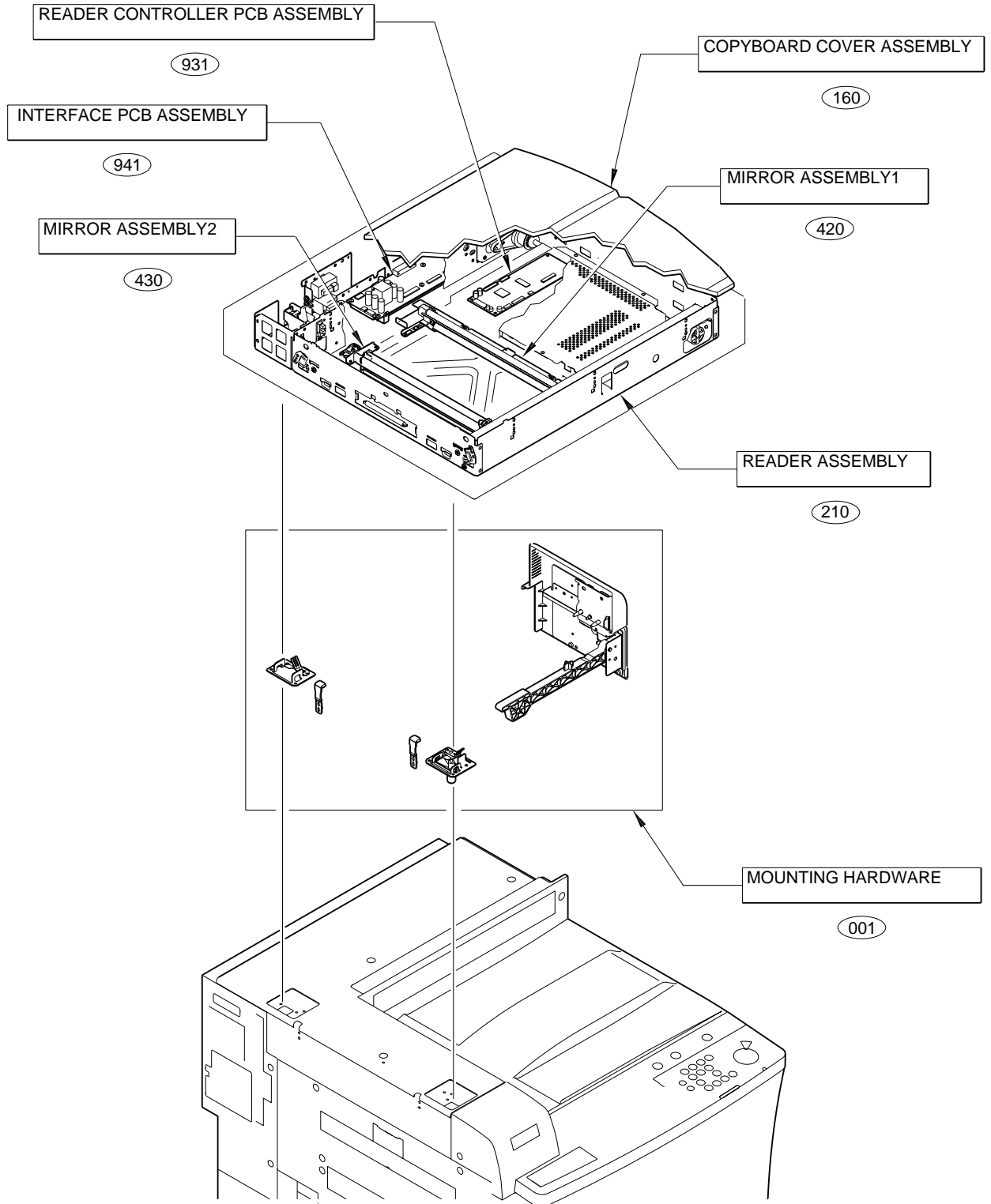


FIGURE 001 MOUNTING HARDWARE

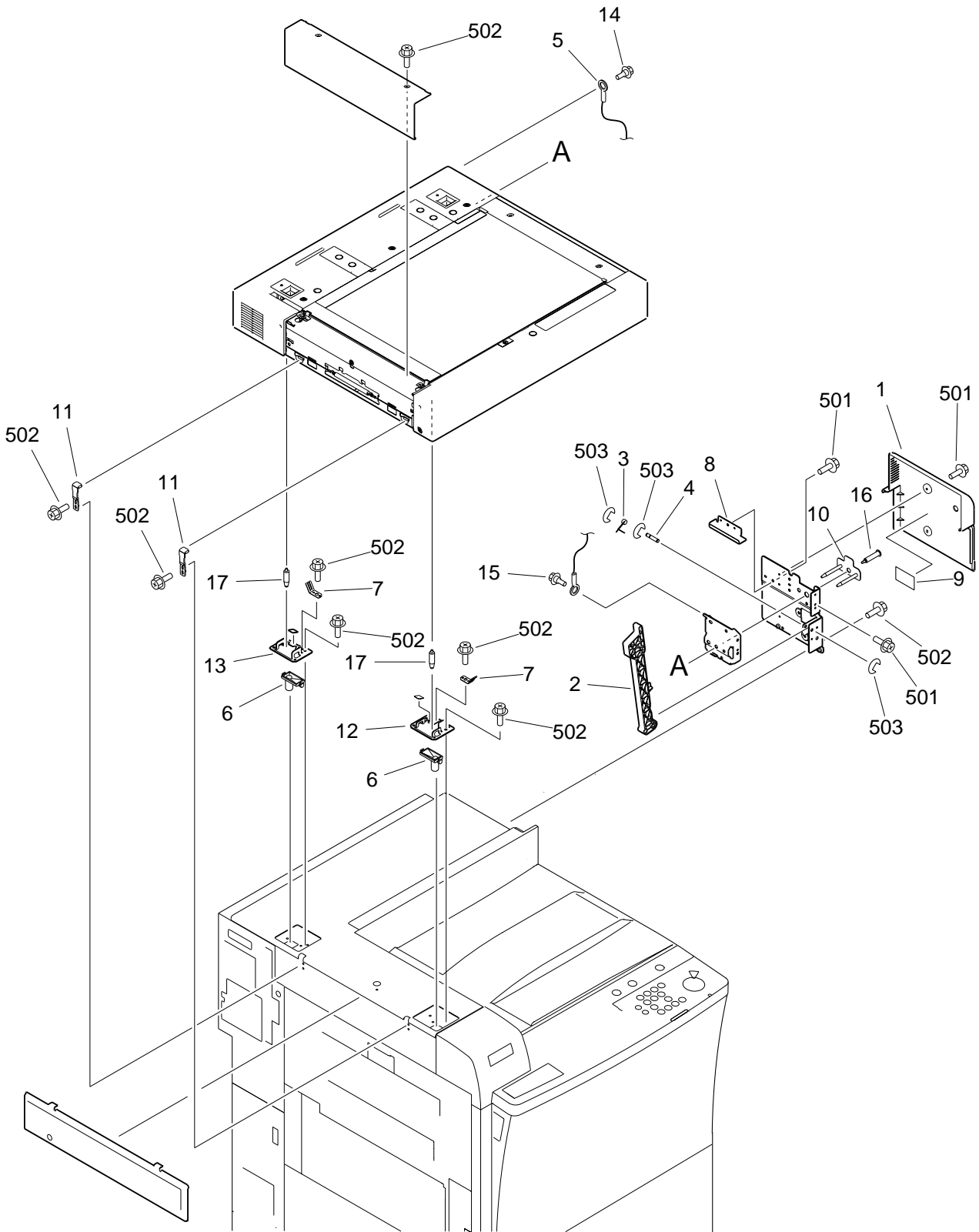


FIGURE & KEY NO.	PART NUMBER	R A N K	Q' T Y	DESCRIPTION	SERIAL NUMBER / REMARKS
001 -	NPN		RF	MOUNTING HARDWARE	
1	FC5 - 1571 - 000		1	PANEL, READER JOINT UNIT	
2	FC5 - 1574 - 000		1	ARM, READER SUPPORT	
3	FC5 - 1575 - 000		1	SPRING, TORSION	
4	FC5 - 1576 - 000		1	SHAFT, ARM	
5	FC5 - 1578 - 000		1	WIRE, GUIDE	
6	FC5 - 1581 - 000		2	JOINT, READER	
7	FC5 - 1585 - 000		2	PLATE, GROUNDING	
8	FC5 - 1586 - 000		1	COVER, PRINTER	
9	FC5 - 4158 - 000		1	LABEL, SERVICE	
10	FL2 - 0382 - 000		1	PLATE, READER FIXING	
11	FL2 - 0383 - 000		2	HOOK, READER	
12	FL2 - 0384 - 000		1	PLATE, JOINT, FRONT	
13	FL2 - 0385 - 000		1	PLATE, JOINT, REAR	
14	FS5 - 9400 - 000		1	SCREW,RS STEPPED,M5	
15	FS5 - 9400 - 000		1	SCREW,RS STEPPED,M5	
16	FU5 - 9026 - 000		1	SCREW,RS,STEPPED,M4	
17	FU5 - 9028 - 000		2	SCREW, READER POSITIONING	
501	XB3 - 6400 - 800		6	SCREW,RS,M4X8	
502	XB3 - 6400 - 800		14	SCREW,RS,M4X8	
503	XD2 - 1100 - 502		3	RING,E	

FIGURE 100 EXTERNAL COVERS, PANELS, ETC.

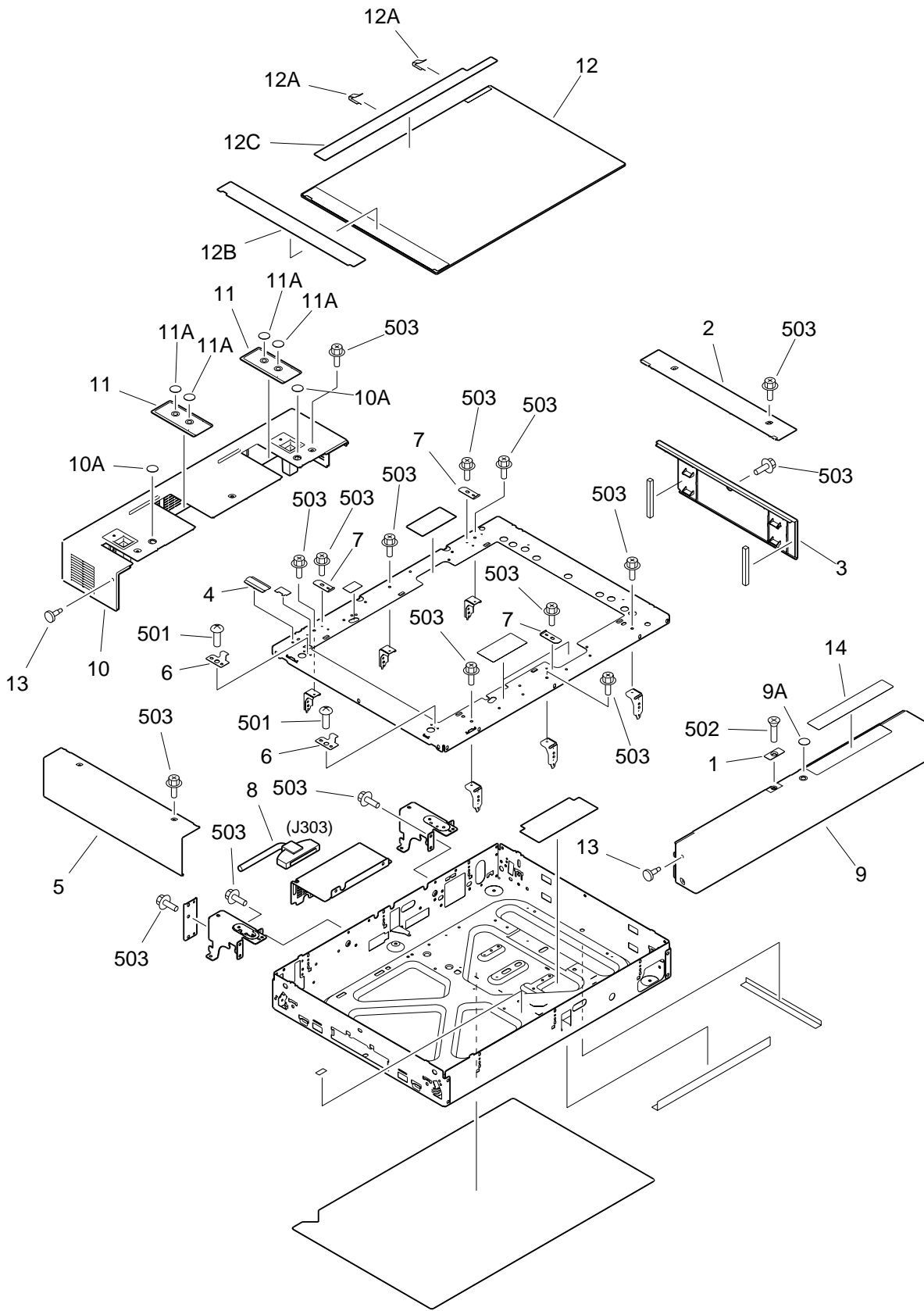


FIGURE & KEY NO.	PART NUMBER	RANK	QTY	DESCRIPTION	SERIAL NUMBER / REMARKS
100 -	NPN		RF	EXTERNAL COVERS, PANELS, ETC.	
1	FA3 - 9315 - 000		1	PLATE, COVER	
2	FC5 - 0084 - 000		1	PANEL, RIGHT UPPER	
3	FC5 - 0085 - 000		1	PANEL, RIGHT	
4	FC5 - 0086 - 000		1	PANEL, FLAG	
5	FC5 - 0092 - 000		1	PANEL, LEFT	
6	FC5 - 0160 - 000		2	RETAINER, GLASS, LEFT	
7	FC5 - 2792 - 000		3	PLATE, GLASS SUPPORT	
8	FH2 - 6987 - 000		1	CABLE, DDI-S INTERFACE	J303
9	FL2 - 0011 - 000		1	PANEL, FRONT	
9 A	FC5 - 0166 - 000		1	SEAL, BLANKING	
10	FL2 - 0013 - 000		1	PANEL, REAR	
10 A	FC5 - 0166 - 000		2	SEAL, BLANKING	
11	FL2 - 0014 - 000		2	PANEL, DF	
11 A	FC5 - 0166 - 000		2	SEAL, BLANKING	
12	FM2 - 0393 - 000		1	GLASS, COPYBOARD	AB SIZE EXCEPT MLG,MLV
	FM2 - 0595 - 000		1	GLASS, COPYBOARD	AB SIZE MLG,MLV
	FM2 - 0598 - 000		1	GLASS, COPYBOARD	INCH/A SIZE
	FM2 - 0599 - 000		1	GLASS, COPYBOARD	A SIZE
	FM2 - 0600 - 000		1	GLASS, COPYBOARD	INCH/AB SIZE
12 A	FB4 - 0711 - 000		2	SPRING, LEAF	
12 B	FC5 - 0102 - 000		1	PLATE, WIDTH INDEX	AB SIZE EXCEPT MLG,MLV
	FC5 - 0110 - 000		1	PLATE, WIDTH INDEX	AB SIZE MLG,MLV
	FC5 - 3231 - 000		1	PLATE, WIDTH INDEX	INCH/A SIZE
	FC5 - 3232 - 000		1	PLATE, WIDTH INDEX	A SIZE
12 C	FC5 - 3233 - 000		1	PLATE, WIDTH INDEX	INCH/AB SIZE
	FC5 - 0103 - 000		1	PLATE, LENGTH INDEX	AB SIZE EXCEPT MLG,MLV
	FC5 - 0112 - 000		1	PLATE, LENGTH INDEX	AB SIZE MLG,MLV
	FC5 - 3234 - 000		1	PLATE, LENGTH INDEX	INCH/A SIZE
	FC5 - 3235 - 000		1	PLATE, LENGTH INDEX	A SIZE

FIGURE & KEY NO.	PART NUMBER	RANK	QTY	DESCRIPTION	SERIAL NUMBER / REMARKS
100 - 12 C	FC5 - 3236 - 000		1	PLATE, LENGTH INDEX	INCH/AB SIZE
13	FS5 - 9773 - 000		2	SCREW, MIRROR FIXED	
14	FU5 - 8203 - 000		1	LABEL, COPY INHIBITED	JPN
	FU5 - 8204 - 000		1	LABEL, COPY INHIBITED	USA
	FU5 - 8205 - 000		1	LABEL, COPY INHIBITED	CAN
	FU5 - 8206 - 000		1	LABEL, COPY INHIBITED	PRG
	FU5 - 8207 - 000		1	LABEL, COPY INHIBITED	SPN
	FU5 - 8208 - 000		1	LABEL, COPY INHIBITED	UK
	FU5 - 8209 - 000		1	LABEL, COPY INHIBITED	FRN
	FU5 - 8210 - 000		1	LABEL, COPY INHIBITED	GER
	FU5 - 8211 - 000		1	LABEL, COPY INHIBITED	ITA
501	XB1 - 2400 - 407		2	SCREW,MACH.,TRUSS HEAD,M4X4	
502	XB1 - 3400 - 807		1	SCREW,MACH.,C.S. HEAD,M4X8	
503	XB3 - 6400 - 800		AR	SCREW,RS,M4X8	

FIGURE 160 COPYBOARD COVER ASSEMBLY

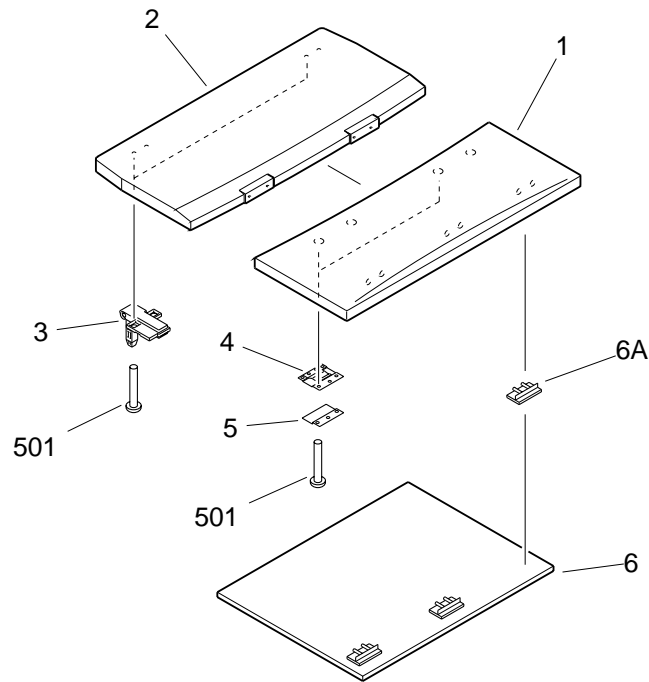


FIGURE & KEY NO.	PART NUMBER	RANK	QTY	DESCRIPTION	SERIAL NUMBER / REMARKS
160 -	FG6 - 9614 - 000		1	COPYBOARD COVER ASSEMBLY	
1	FB6 - 4842 - 000		1	COVER, COPYBOARD, FRONT	
2	FB6 - 4843 - 000		1	COVER, COPYBOARD, REAR	
3	FB6 - 4844 - 000		2	HINGE, COPYBOARD COVER	
4	FE5 - 3634 - 000		2	PLATE, HINGE	
5	FE5 - 4380 - 000		2	PLATE, ANGLE ADJUSTMENT	
6	FF6 - 2562 - 000		1	COPYBOARD CUSHION UNIT	
6A	FE5 - 3633 - 000		3	PLATE, SLIDE	
501	XB4 - 7401 - 009		16	SCREW, TAPPING, TRUSS HEAD, M4X10	

FIGURE & KEY NO.	PART NUMBER	RANK	QTY	DESCRIPTION	SERIAL NUMBER / REMARKS
210 -	NPN		RF	READER ASSEMBLY	
1	FA9 - 3880 - 000		1	PULLEY, 66T	
2	FA9 - 3881 - 000		1	PULLEY	
3	FB4 - 0726 - 000		2	SPRING, LEAF	
4	FC5 - 0081 - 000		1	WIRE, SCANNER, FRONT	
5	FC5 - 0082 - 000		1	WIRE, SCANNER, REAR	
6	FC5 - 0083 - 000		1	SPACER, PULLEY	
7	FC5 - 0140 - 000		4	PULLY	
8	FC5 - 0145 - 000		1	COVER, OPEN/CLOSE SENSOR FLAG	
9	FC5 - 0158 - 000		1	PLATE, GROUNDING	
10	FC5 - 0161 - 000		1	COVER, INLET	
11	FG3 - 2612 - 000		1	CABLE, READER CONTROLLER POWER	J201,309
11 A	WT2 - 5565 - 000		2	CLAMP, CABLE	
12	FG3 - 2613 - 000		1	CABLE, SENSOR	J5,6,310
13	FH2 - 5006 - 000		1	WIRE, GROUNDING	100V
14	FH2 - 6491 - 000		1	CORD, POWER SUPPLY	100V P1,J1
15	FH2 - 6552 - 000		1	COVER, CONNECTOR	
16	FH2 - 6718 - 000		1	POWER CORD	100V P1,J1
17	FH2 - 6981 - 000		1	CABLE, FLAT, CCD-RCON 1	J101,204
18	FH2 - 6982 - 000		1	CABLE, FLAT, CCD-RCON 2	J102,205
19	FH2 - 6985 - 000		1	CABLE, FLAT, INVERTER	J206,601
20	FH3 - 7213 - 000		1	LAMP REGULATOR PCB ASSEMBLY	
21	FH7 - 4749 - 000		1	PLATE HEATER ASSEMBLY	100V H1,2 J4
	FH7 - 4750 - 000		1	PLATE HEATER ASSEMBLY	220/240V H1,2 J4
22	FH7 - 7462 - 000		2	PHOTO-INTERRUPTER	SR1,2 J6,5
23	FH7 - 7619 - 000		1	SENSOR UNIT, DOCUMENT SIZE	CF2 J208
	FH7 - 7619 - 000		1	SENSOR UNIT, DOCUMENT SIZE	INCH/A SIZE INCH/AB SIZE CF1 J207
24	FL2 - 0015 - 000		2	RAIL, SCANNER	
24 A	FC5 - 0101 - 000		1	PLATE, SCANNER RAIL	

FIGURE & KEY NO.	PART NUMBER	RANK	QTY	DESCRIPTION	SERIAL NUMBER / REMARKS
210 - 25	FL2 - 0026 - 000		1	CABLE, FLAT, RCON-I/F	J202,203,307,308
26	FL2 - 0615 - 000		1	PIN, POSITIONING	
27	FM2 - 0035 - 000		1	CABLE, LATTICE	J3,7,301,305
28	FM2 - 0037 - 000		1	OPEN/CLOSE SENSOR ASSEMBLY	
29	FM2 - 0040 - 000		1	READER FUSE PCB ASSEMBLY	J4
30	FM2 - 0596 - 000		1	MOTOR, SCANNER	M1 J306
31	FM2 - 0603 - 000		1	CCD UNIT	100V
	FM2 - 0023 - 000		1	CCD UNIT	120/220/240V
32	FS5 - 1599 - 000		1	BUSHING	
33	FU5 - 2021 - 000		1	SPRING, TENSION	
34	XA9 - 0546 - 020		4	SETSCREW,M4X6	
35	XF9 - 0731 - 000		1	BELT, DRIVE	
36	XG9 - 0208 - 000		1	BEARING, BALL	
501	XB1 - 2300 - 607		2	SCREW,MACH.,TRUSS HEAD,M3X6	
502	XB1 - 2400 - 607		8	SCREW,MACH.,TRUSS HEAD,M4X6	
503	XB3 - 6400 - 800		1	SCREW,RS,M4X8	
504	XB3 - 6400 - 800		AR	SCREW,RS,M4X8	
505	XB3 - 6400 - 800		5	SCREW,RS,M4X8	
506	XB6 - 7300 - 607		4	SCREW,TP,M3X6	
507	XD2 - 1100 - 642		4	RING,E	
508	XD2 - 1100 - 642		1	RING,E	

FIGURE 420 MIRROR ASSEMBLY 1

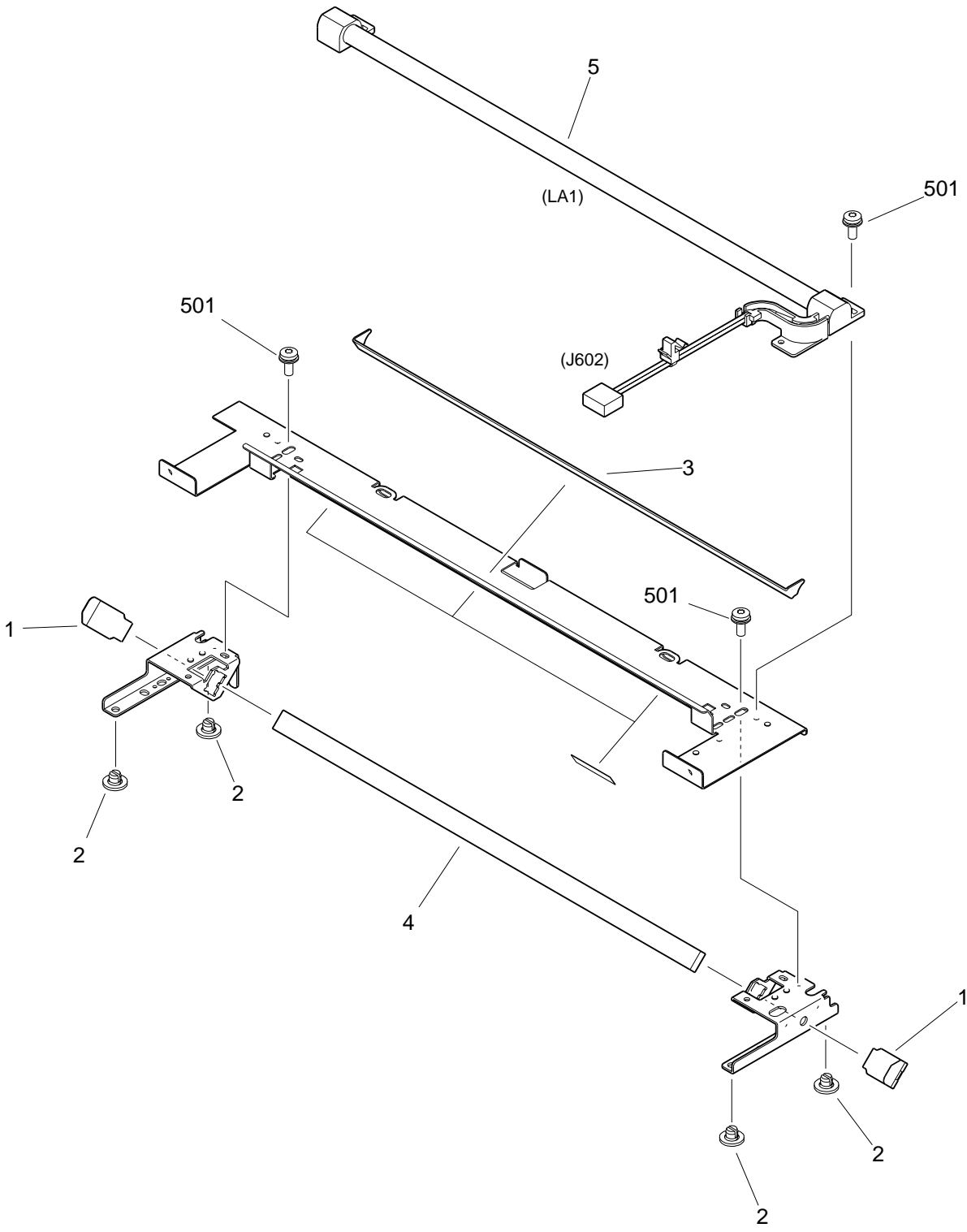


FIGURE & KEY NO.	PART NUMBER	RANK	QTY	DESCRIPTION	SERIAL NUMBER / REMARKS
420 -	FM2 - 0026 - 000		1	MIRROR ASSEMBLY 1	
1	FB4 - 0799 - 000		2	SPRING, LEAF	
2	FC5 - 0127 - 000		4	PIN, SLIDER	
3	FC5 - 0128 - 000		1	REFLECTOR	
4	FL2 - 0020 - 000		1	MIRROR, 1	
5	FM2 - 0027 - 000		1	LAMP, XENON FLUORESCENT	LA1 J602
5 0 1	XB2 - 8300 - 807		5	SCREW,W/WASHER,M3X8	

FIGURE 430 MIRROR ASSEMBLY 2

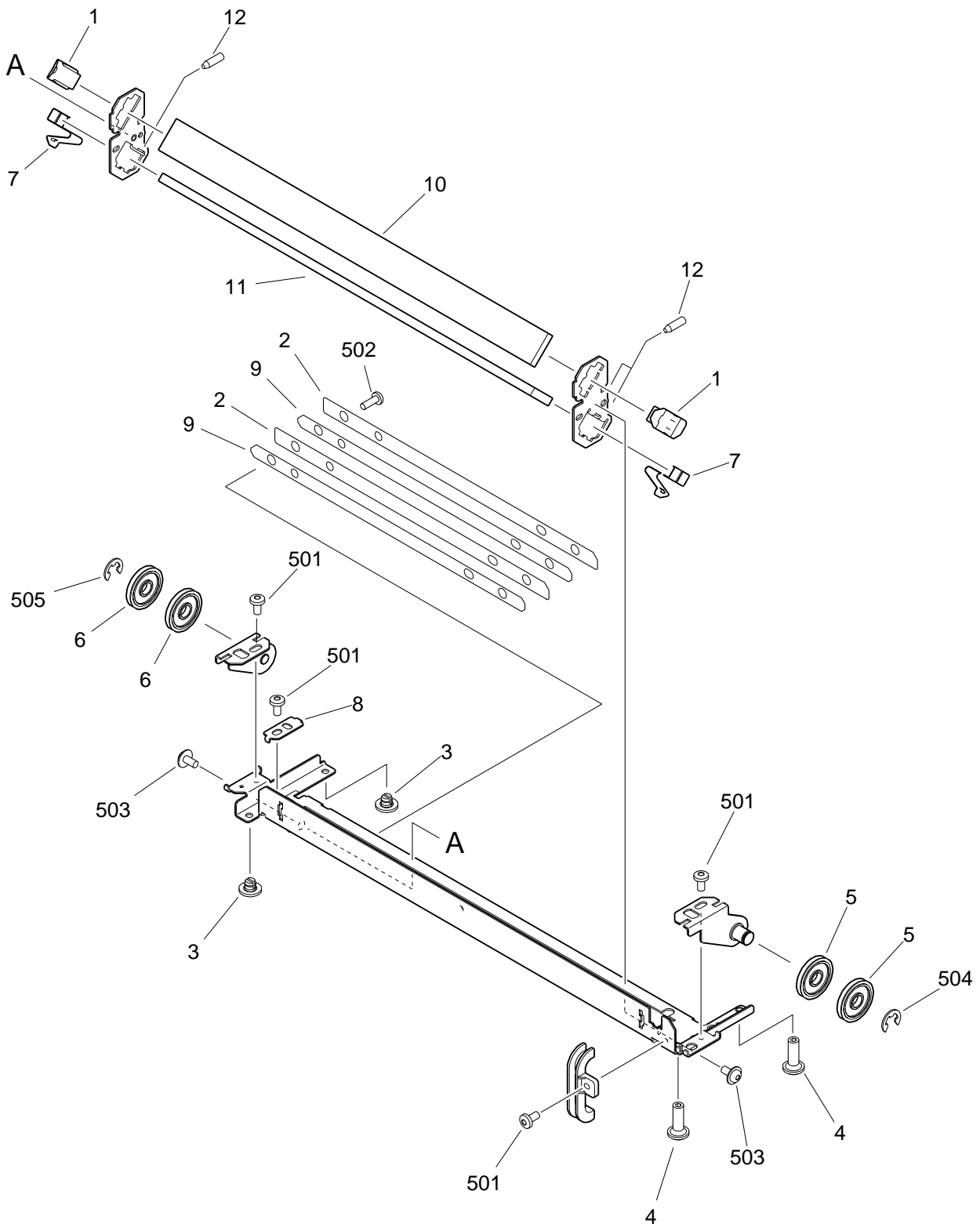


FIGURE & KEY NO.	PART NUMBER	R A N K	Q' T Y	DESCRIPTION	SERIAL NUMBER / REMARKS
430 -	FM2 - 0030 - 000		1	MIRROR ASSEMBLY 2	
1	FB4 - 0864 - 000		2	SPRING, LEAF, MIRROR	
2	FC5 - 0096 - 000		2	HANDLE, MIRROR ASSEMBLY 2	
3	FC5 - 0127 - 000		2	PIN, SLIDER	
4	FC5 - 0136 - 000		2	PIN, SLIDER	
5	FC5 - 0137 - 000		2	PULLEY	
6	FC5 - 0137 - 000		2	PULLEY	
7	FC5 - 0165 - 000		2	SPRING, LEAF, MIRROR	
8	FC5 - 2789 - 000		1	PLATE, POSITIONING	
9	FC5 - 4763 - 000		2	SHEET, HANDLE SUPPORT	
10	FN5 - 4117 - 000		1	MIRROR, 2	
11	FN7 - 4008 - 000		1	MIRROR, 3	
12	XA9 - 0425 - 000		3	SETSCREW,HEX SOCKET	
501	XB1 - 2300 - 607		4	SCREW,MACH.,TRUSS HEAD,M3X6	
502	XB2 - 8300 - 807		2	SCREW,W/WASHER,M3X8	
503	XB6 - 7300 - 607		2	SCREW,TP,M3X6	
504	XD2 - 1100 - 642		1	RING,E	
505	XD2 - 1100 - 642		1	RING,E	

FIGURE 931 READER CONTROLLER PCB ASSEMBLY

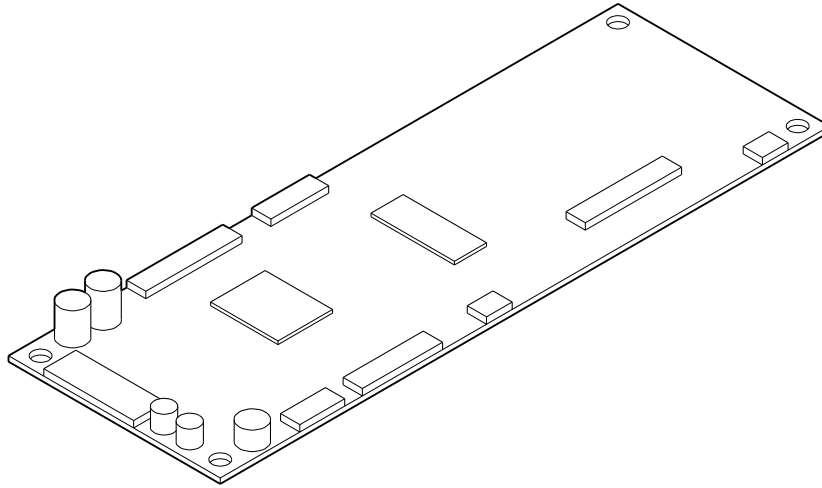


FIGURE & KEY NO.	PART NUMBER	RANK	QTY	DESCRIPTION	SERIAL NUMBER / REMARKS
931 -	FG3 - 2564 - 000		1	READER CONTROLLER PCB ASSEMBLY	100V
	FG3 - 2570 - 000		1	READER CONTROLLER PCB ASSEMBLY	120/220/240V
I C 7	FH4 - 3950 - 000		1	IC, MX23L8103TC, MASK-ROM	
I C 16	FH4 - 6165 - 000		1	IC, MB87J4670, STANDARD CELL	

FIGURE 941 INTERFACE PCB ASSEMBLY

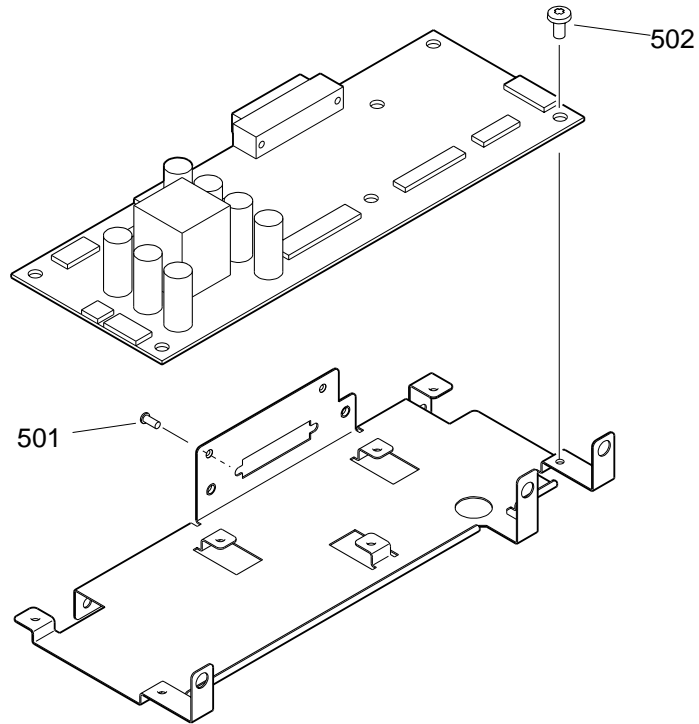


FIGURE & KEY NO.	PART NUMBER	RANK	QTY	DESCRIPTION	SERIAL NUMBER / REMARKS
941 -	FM2 - 0036 - 000		1	INTERFACE PCB ASSEMBLY	
501	XB1 - 2260 - 607		2	SCREW,MACH,TRUSS HEAD,M2.6X6	
502	XB1 - 2400 - 607		7	SCREW,MACH.,TRUSS HEAD,M4X6	
I C1	FH4 - 6202 - 000		1	IC, SLA7044MC, MOTOR DRIVER	
T3	FH3 - 0969 - 000		1	TRANSFORMER	

FIGURE B LIST OF CONNECTORS

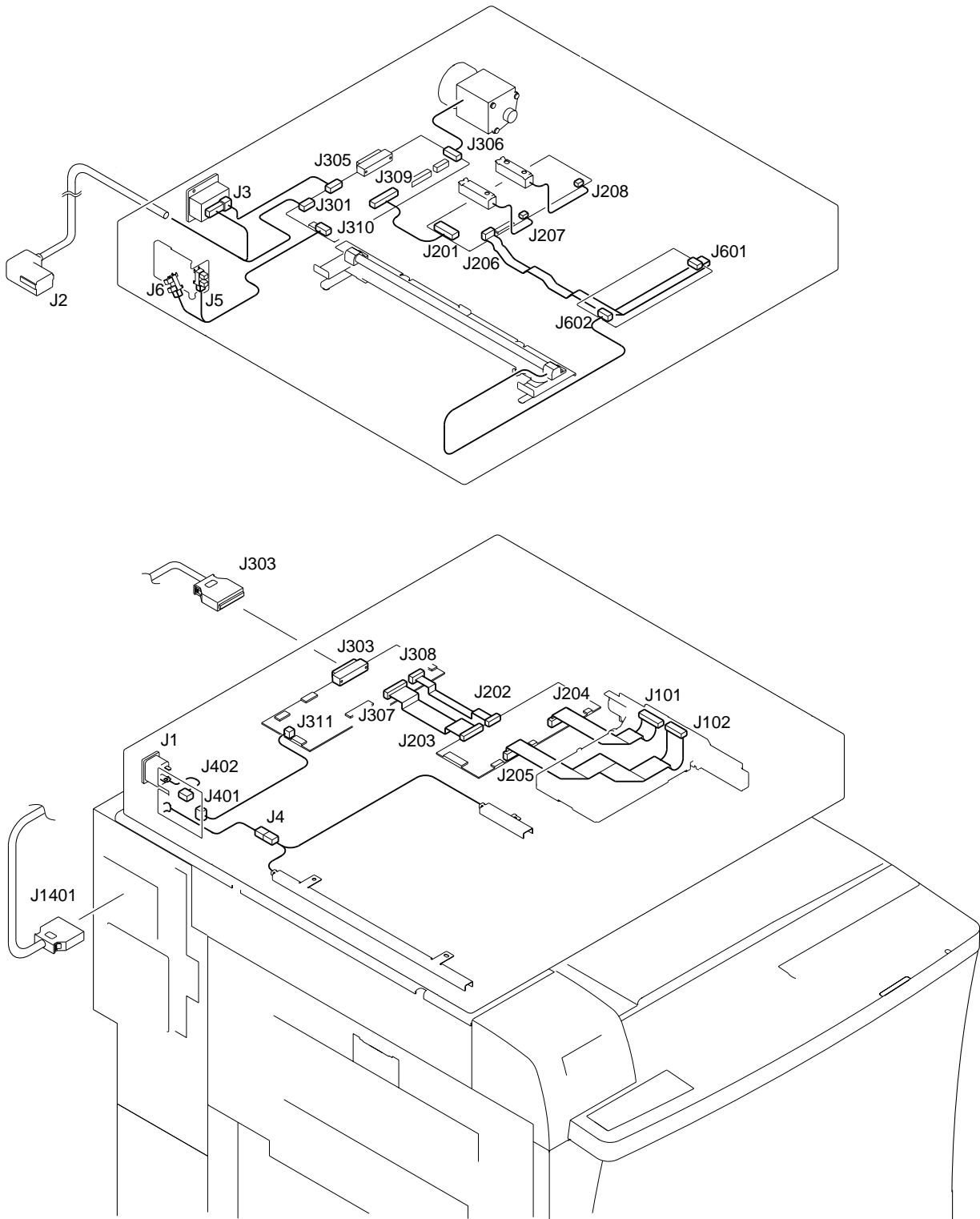


FIGURE & KEY NO.	PART NUMBER	RANK	QTY	DESCRIPTION	SERIAL NUMBER / REMARKS
B -	NPN		RF	LIST OF CONNECTORS	
J 1	NPN			POWER CORD SUPPLY	P1
	WS5 - 5062 - 000		1	SOCKET, AC	
J 2	FH2 - 5821 - 000		1	CONNECTOR, 12P, FEMALE	
	FH2 - 6986 - 000		1	HOUSING	
J 3	WS3 - 5264 - 000		5	SOCKET CONTACT	OPTION
	SYS			TO ADF	
	FH2 - 6480 - 000		1	CONNECTOR, FEMALE	
	VS1 - 5452 - 007		1	CONNECTOR, 7P, FEMALE	
	WS3 - 5596 - 000		3	PIN CONTACT, 18-24AWG	
J 4	PCB			READER FUSE	
	NPN			CONDENSATION HEATER	H1,2
J 5	NPN			HOME POSITION SENSOR	SR2
	VS1 - 6321 - 003		1	CONNECTOR, 3P, FEMALE	
J 6	NPN			PRESSING PLATE SENSOR	SR1
J 1 0 1	VS1 - 6321 - 003		1	CONNECTOR, 3P, FEMALE	
	PCB			CCD AP	
	FH2 - 6981 - 000		1	CABLE, FLAT, CCD-RCON 1	
J 1 0 2	PCB			CCD AP	
	FH2 - 6982 - 000		1	CABLE, FLAT, CCD-RCON 2	
J 2 0 1	PCB			READER CONTROLLER	
	VS1 - 6534 - 008		1	CONNECTOR, 9P, FEMALE	
	WS3 - 5658 - 000		8	SOCKET CONTACT	
J 2 0 2	PCB			READER CONTROLLER	
	FH2 - 6984 - 000		1	CABLE, FLAT, RCON-I/F 2	
J 2 0 3	PCB			READER CONTROLLER	
	FH2 - 6983 - 000		1	CABLE, FLAT, RCON-I/F 1	
J 2 0 4	PCB			READER CONTROLLER	
	FH2 - 6981 - 000		1	CABLE, FLAT, CCD-RCON 1	
J 2 0 5	PCB			READER CONTROLLER	

FIGURE & KEY NO.	PART NUMBER	RANK	QTY	DESCRIPTION	SERIAL NUMBER / REMARKS
B - J 2 0 5	FH2 - 6982 - 000		1	CABLE, FLAT, CCD-RCON 2	
J 2 0 6	PCB			READER CONTROLLER	
	FH2 - 6985 - 000		1	CABLE, FLAT, INVERTER	
J 2 0 7	PCB			READER CONTROLLER	
	NPN			DOCUMENT SENSOR	CF1
J 2 0 8	PCB			READER CONTROLLER	
	NPN			DOCUMENT SENSOR	CF2
J 3 0 1	PCB			INTERFACE	
	VS3 - 5083 - 003		1	CONNECTOR, 3P, FEMALE	
	WS3 - 5160 - 000		2	SOCKET CONTACT, 18-24AWG	
J 3 0 3	PCB			INTERFACE	
	FH2 - 6987 - 000		1	CABLE, DDI-S INTERFACE	
J 3 0 5	PCB			INTERFACE	
	VS1 - 5452 - 007		1	CONNECTOR, 7P, FEMALE	
J 3 0 6	PCB			INTERFACE	
J 3 0 7	NPN			SCANNER MOTOR	M1
	PCB			INTERFACE	
	FH2 - 6983 - 000		1	CABLE, FLAT, RCON-I/F 1	
J 3 0 8	PCB			INTERFACE	
	FH2 - 6984 - 000		1	CABLE, FLAT, RCON-I/F 2	
J 3 0 9	PCB			INTERFACE	
	VS1 - 6534 - 009		1	CONNECTOR, 9P, FEMALE	
	WS3 - 5658 - 000		8	SOCKET CONTACT	
J 3 1 0	PCB			INTERFACE	
	VS1 - 6314 - 006		1	CONNECTOR, 6P, FEMALE	
J 3 1 1	PCB			INTERFACE	100/220/240V
	VS1 - 6314 - 003		1	CONNECTOR, 3P, FEMALE	100/220/240V
J 4 0 1	PCB			READER FUSE	100/220/240V
	VS1 - 6314 - 003		1	CONNECTOR, 3P, FEMALE	100/220/240V
J 4 0 2	PCB			READER FUSE	100/220/240V

FIGURE & KEY NO.	PART NUMBER	RANK	QTY	DESCRIPTION	SERIAL NUMBER / REMARKS
B - J 4 0 2	VS3 - 5083 - 003		1	CONNECTOR, 3P, FEMALE	100/220/240V
	WS3 - 5160 - 000		2	SOCKET CONTACT, 18-24AWG	100/220/240V
J 6 0 1	PCB			LAMP REGULATOR	
	FH2 - 6985 - 000		1	CABLE, FLAT, INVERTER	
J 6 0 2	PCB			LAMP REGULATOR	
J 1 4 0 1	NPN			XENON FLUORESCENT LAMP	LA1
	SYS			TO PRINTER	
	FH2 - 6987 - 000		1	CABLE, DDI-S INTERFACE	

iR C3200/Color imageRUNNER C3200

Printer + Reader Model Plain Type

iR C3200S

100V 50/60Hz	F14 - 2412	MLF00001 -
100V 50/60Hz	F14 - 2416	MLU00001 -

S3200

100V 50/60Hz	F14 - 2413	MLG00001 -
100V 50/60Hz	F14 - 2417	MLV00001 -

Printer + Reader Model Duplex Type

iR C3200

100V 50/60Hz	F14 - 2512	MLH00001 -
100V 50/60Hz	F14 - 2516	MLW00001 -

iR C3200N

100V 50/60Hz	F14 - 2514	MLT00001 -
100V 50/60Hz	F14 - 2518	MLX00001 -

Color imageRUNNER C3200

120V 60Hz	F14 - 2532	MSK00001 -
-----------	------------	------------

Printer Model Duplex Type

iR C3200

120V 60Hz	F14 - 2501	MSN00001 -
220V 50Hz	F14 - 2521	SSX00001 -
220V 50Hz	F14 - 2541	SSY00001 -
240V 50Hz	F14 - 2551	QLZ00001 -
240V 50Hz	F14 - 2561	RLZ00001 -
220V 50Hz	F14 - 2571	SLZ00001 -
220V 50Hz	F14 - 2581	TLZ00001 -
220V 50Hz	F14 - 2591	UKF00001 -

Color imageRUNNER C3200

120V 60Hz	F14 - 2531	MSL00001 -
-----------	------------	------------

CONTENTS

A.	ASSEMBLY LOCATION DIAGRAM	810.	FIXING ASSEMBLY
		900.	CONTROLLER ASSEMBLY
100.	EXTERNAL COVERS, PANELS, ETC.	910.	DC POWER SUPPLY ASSEMBLY
101.	MACHINE FRONT PLATE	930.	DC CONTROLLER PCB ASSEMBLY
102.	INTERNAL COMPONENTS 1	980.	H.V.TRANSFORMER PCB ASSEMBLY
103.	INTERNAL COMPONENTS 2	981.	2ND. TRANSFER H.V.T. PCB ASSEMBLY
104.	INTERNAL COMPONENTS 3		
105.	INTERNAL COMPONENTS 4		
106.	INTERNAL COMPONENTS 5	B.	LIST OF CONNECTORS
107.	MACHINE REAR PLATE 1		
108.	MACHINE REAR PLATE 2		
120.	DOOR SWITCH ASSEMBLY	D2.	NUMERICAL INDEX
125.	VERTICAL PATH PANEL ASSEMBLY		
130.	CONTROL PANEL ASSEMBLY		
190.	FIXING EXHAUST FAN ASSEMBLY		
191.	CLEANING COOLING FAN ASSEMBLY		
192.	MACHINE EXHAUST FAN ASSEMBLY		
193.	DELIVERY COOLING FAN ASSEMBLY		
194.	MULTI FAN ASSEMBLY (DUPLEX TYPE)		
251.	DRUM DRIVE ASSEMBLY		
260.	PICK-UP MOTOR DRIVE ASSEMBLY		
270.	DEVELOPING DRIVE ASSEMBLY		
271.	INTERMEDIATE TRANSFER BELT DRIVE ASSEMBLY		
272.	TONER CARTRIDGE DRIVE ASSEMBLY		
280.	FIXING DRIVE ASSEMBLY		
300.	CASSETTE		
305.	CASSETTE HEATER ASSEMBLY (OPTION)		
310.	PAPER PICK-UP ASSEMBLY		
315.	MULTI FEED ASSEMBLY		
316.	MULTI FEED TRAY ASSEMBLY		
321.	PATTERN READER ASSEMBLY		
330.	FIXING FEEDER ASSEMBLY (PLAIN TYPE)		
350.	FACE-UP DELIVERY ASSEMBLY (PLAIN TYPE)		
351.	DELIVERY VERTICAL PATH ASSEMBLY		
360.	DUPLEXING ASSEMBLY (DUPLEX TYPE)		
361.	EXTERNAL DELIVERY COVER ASS'Y (DUPLEX TYPE)		
365.	MULTI PAPER FEED MOUNT ASSEMBLY		
460.	LASER UNIT		
535.	INTERMEDIATE TRANSFER BELT ASSEMBLY		
537.	TRANSFER CLEANING ASSEMBLY		
560.	SECONDARY TRANSFER ASSEMBLY		

FIGURE A ASSEMBLY LOCATION DIAGRAM (1/5)

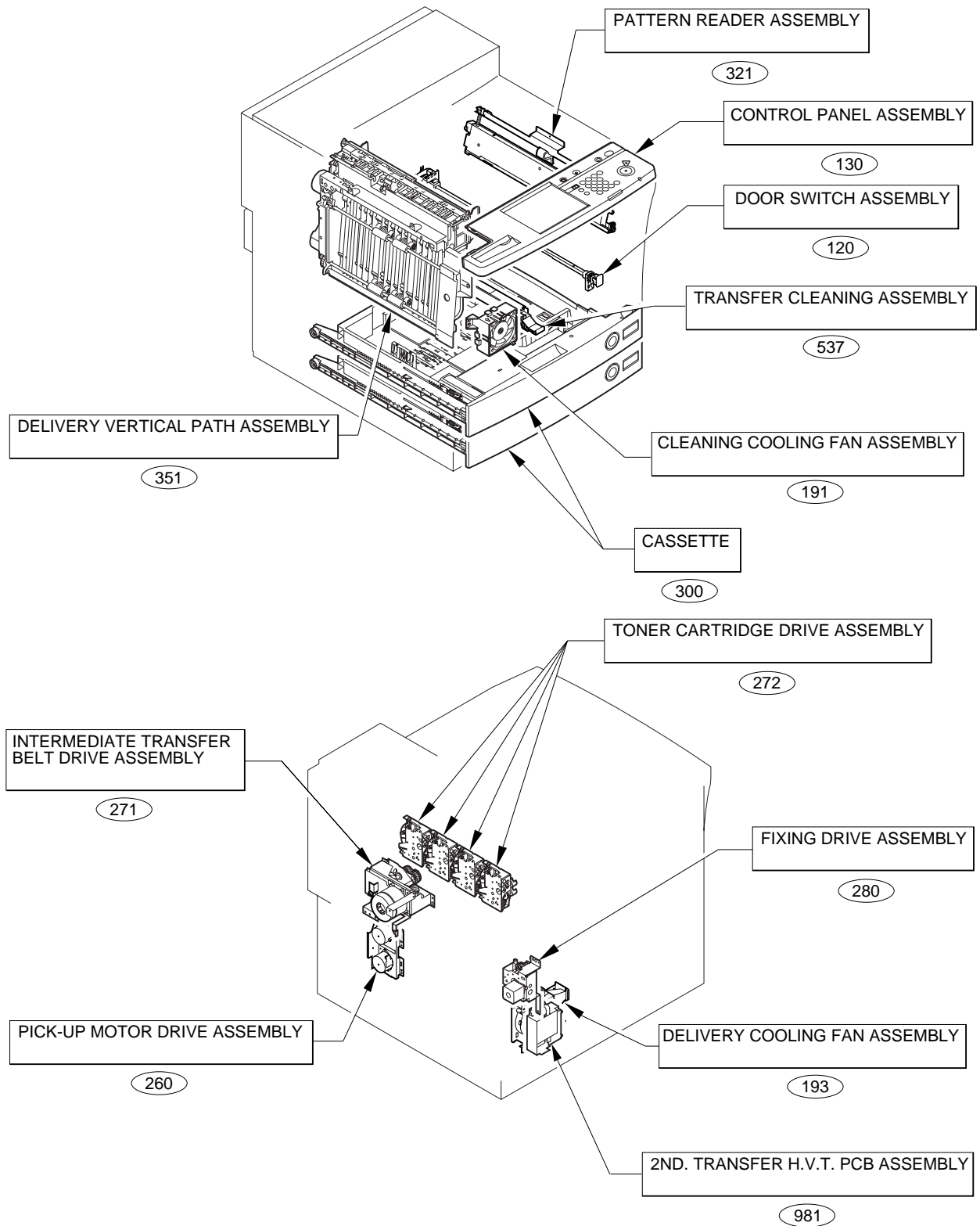


FIGURE A

ASSEMBLY LOCATION DIAGRAM (2/5)

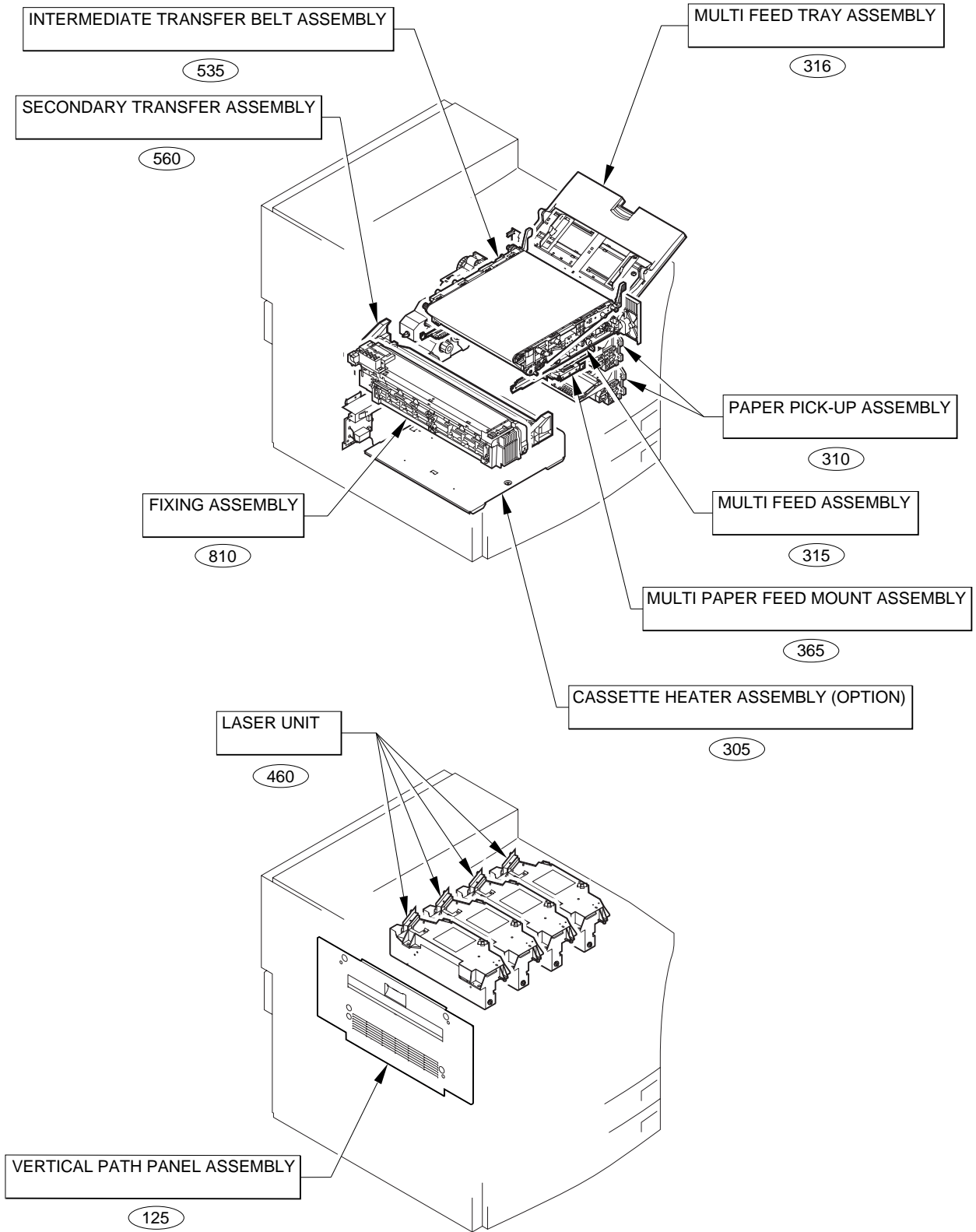


FIGURE A ASSEMBLY LOCATION DIAGRAM (3/5)

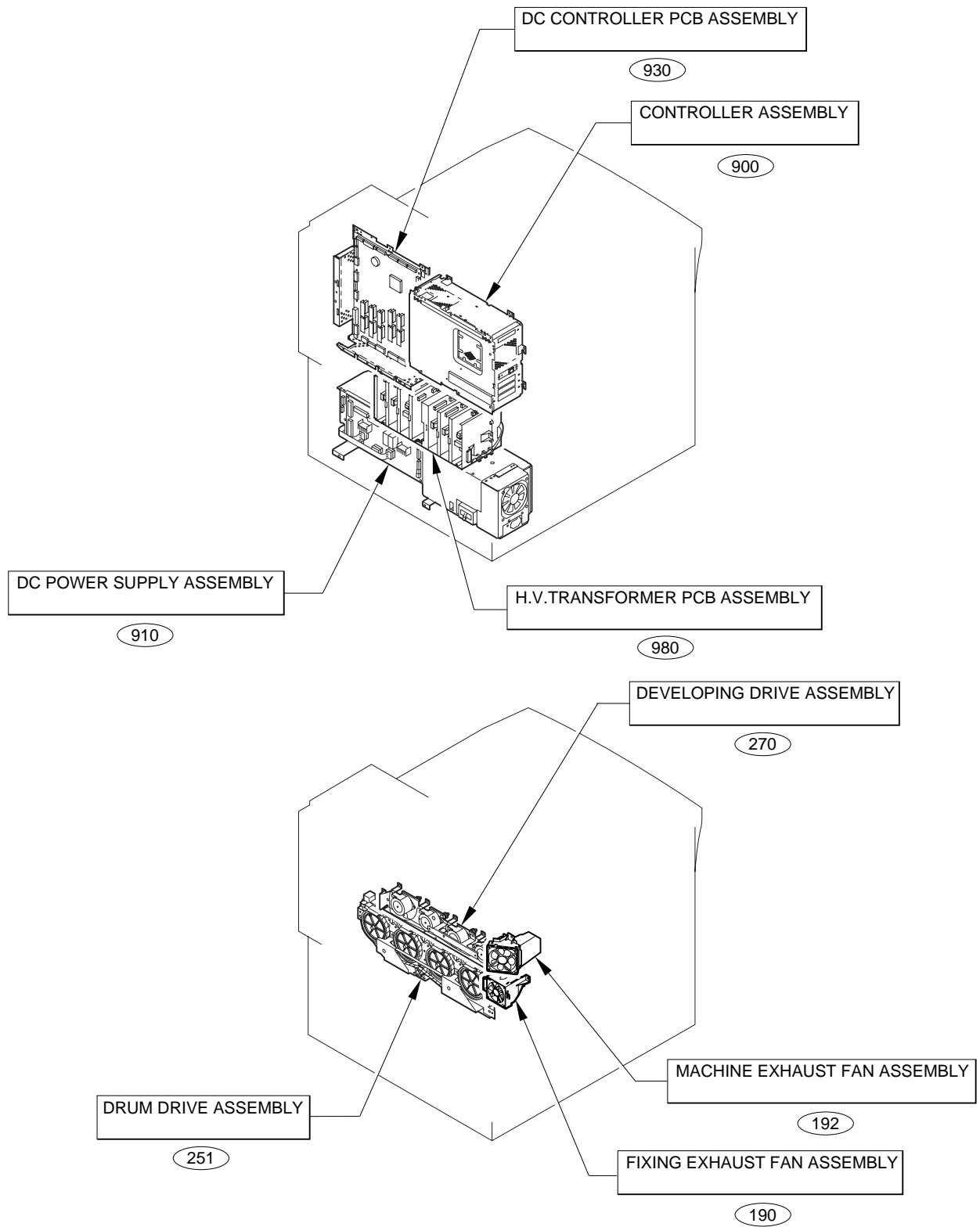
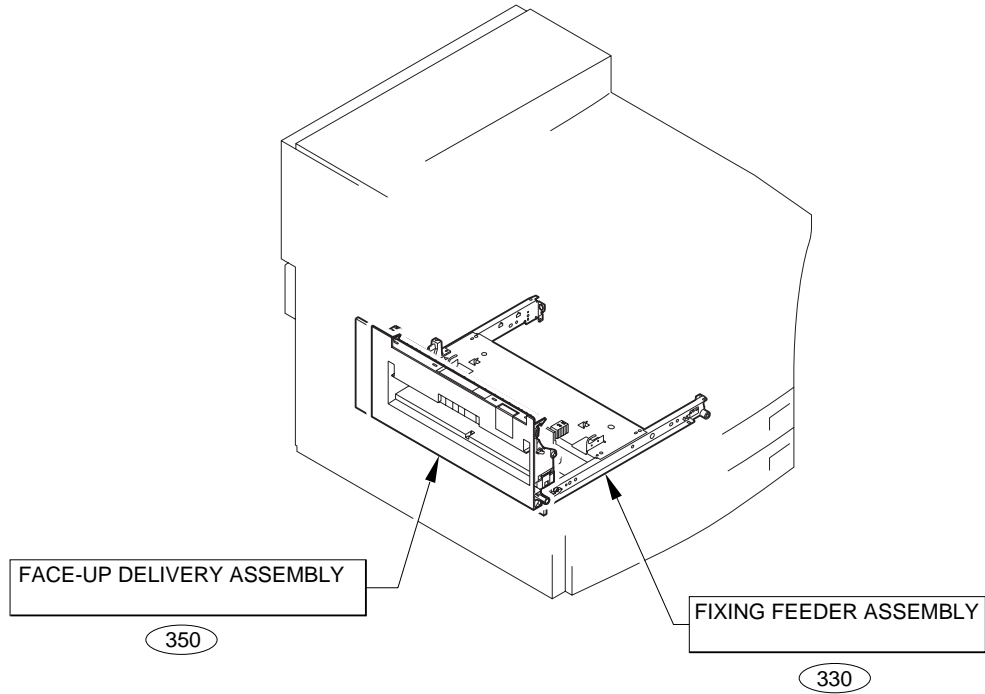


FIGURE A ASSEMBLY LOCATION DIAGRAM (4/5)

PLAIN TYPE



DUPLEX TYPE

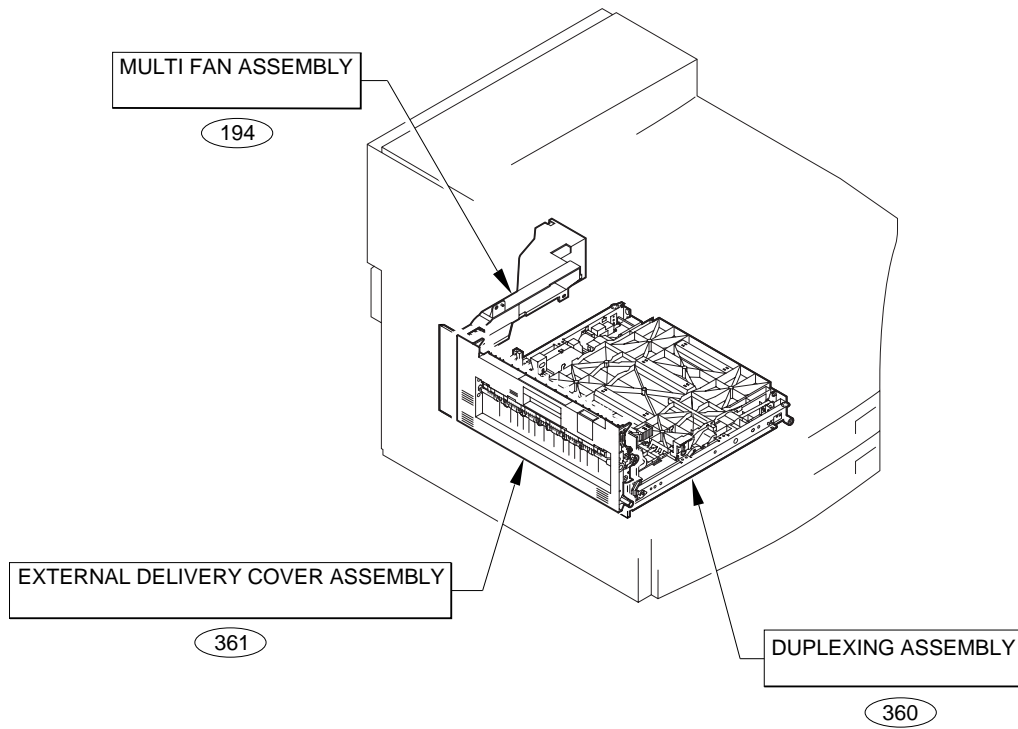


FIGURE A ASSEMBLY LOCATION DIAGRAM (5/5)

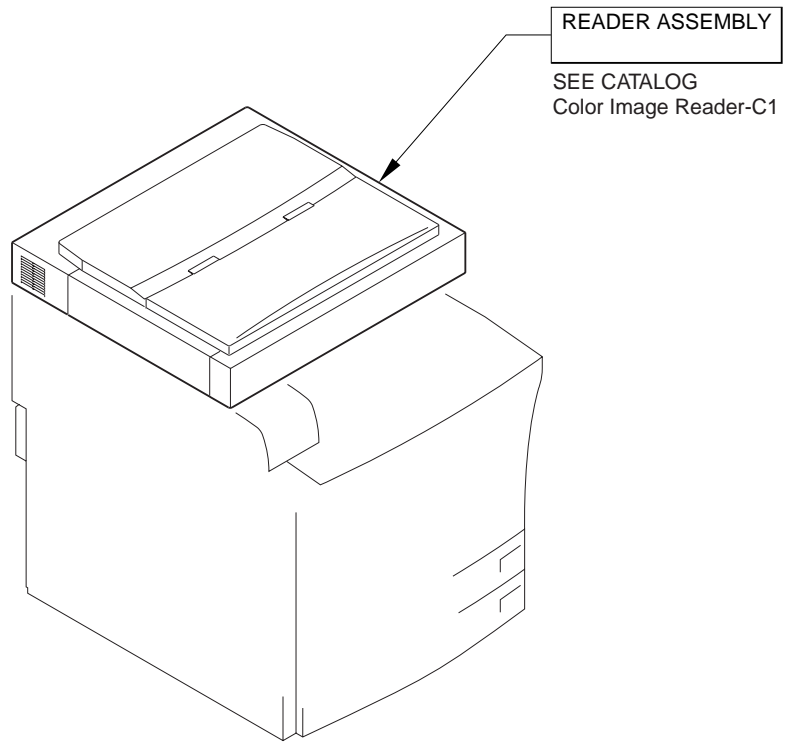


FIGURE 100 EXTERNAL COVERS, PANELS, ETC.

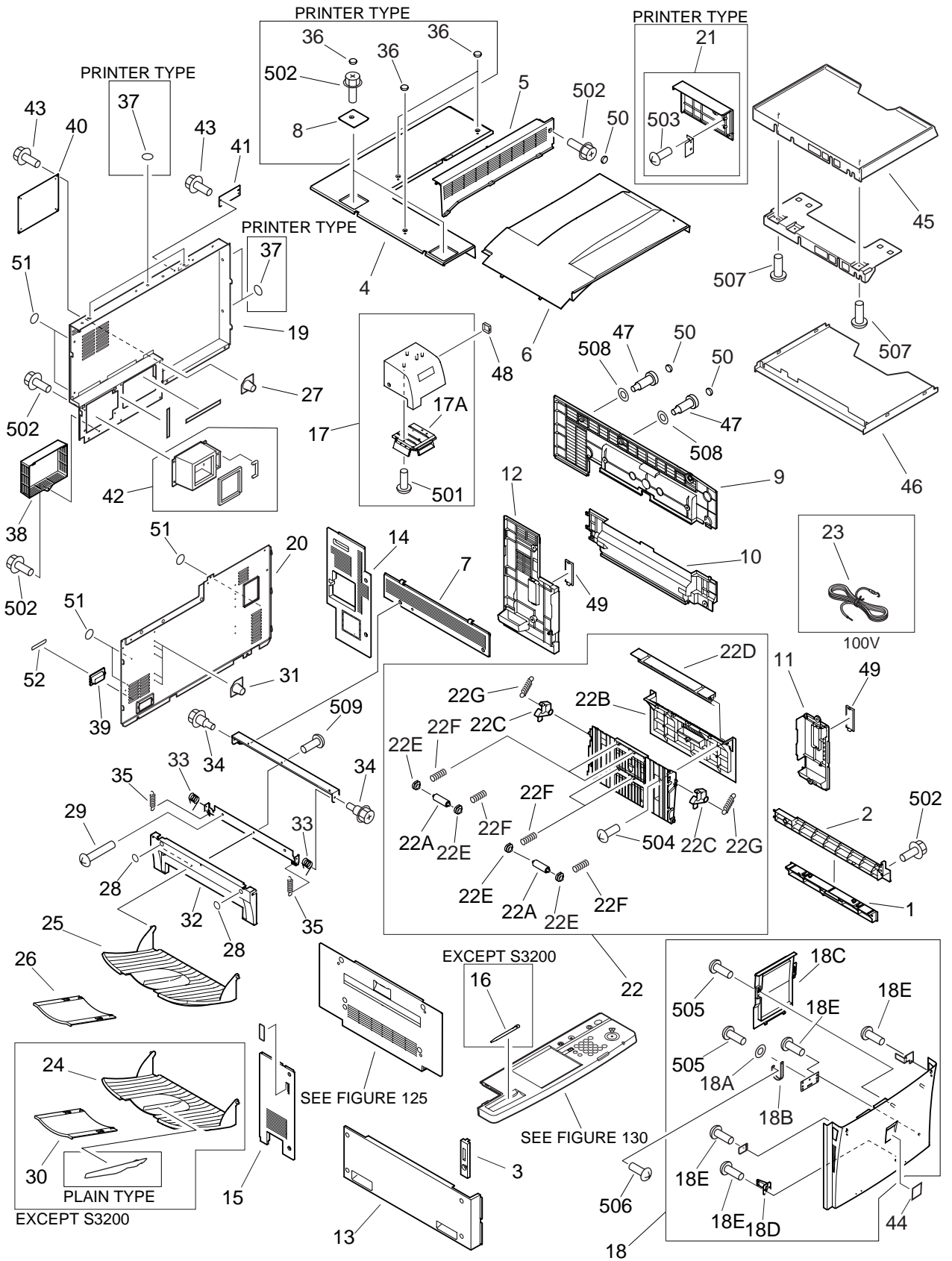


FIGURE & KEY NO.	PART NUMBER	RANK	QTY	DESCRIPTION	SERIAL NUMBER / REMARKS
100 -	NPN		RF	EXTERNAL COVERS, PANELS, ETC.	
1	FB6-3443-000		1	RIGHT PANEL, LOWER	
2	FB6-3504-000		1	RIGHT PANEL, LOWER	
3	FB6-3722-000		1	PANEL, PAPER DELIVERY, SMALL	
4	FB6-3765-000		1	UPPER PANEL, 1	
5	FB6-3766-000		1	UPPER PANEL, 2	
6	FB6-3767-000		1	TRAY, FACE-DOWN	
7	FB6-3768-000		1	LEFT PANEL, UPPER	
8	FB6-3769-000		2	PANEL, SMALL, 1	PRINTER TYPE
9	FB6-3775-000		1	RIGHT PANEL, UPPER	
10	FB6-3776-000		1	RIGHT PANEL, MIDDLE	
11	FB6-3777-000		1	RIGHT PANEL, FRONT	
12	FB6-3778-000		1	RIGHT PANEL, REAR	
13	FB6-3785-000		1	LEFT PANEL, LOWER	
14	FB6-3834-000		1	LEFT PANEL, REAR UPPER	EXCEPT MLG
	FB6-4870-000		1	LEFT PANEL, REAR UPPER	MLG
15	FB6-3835-000		1	LEFT PANEL, REAR LOWER	
16	FB6-3950-000		1	PEN, TOUCH PANEL	EXCEPT S3200
17	FG6-8927-000		1	UPPER PANEL, LEFT	
17A	FB6-3788-000		1	PANEL, CARD	
18	FG6-8945-000		1	PANEL, FRONT	
18A	FA2-7162-000		1	PLAIN WASHERS	
18B	FB6-2973-000		1	TAPE, FRONT PANEL SUPPORT	
18C	FB6-2994-000		1	CASE, SERVICE	
18D	FB6-3139-000		1	CLAW, SWING	
18E	XA9-0605-000		8	SCREW,P,M4X8	
19	FB6-3791-000		1	REAR PANEL, UPPER	
20	FB6-3792-000		1	REAR PANEL, LOWER	
21	FG6-9012-000		1	PANEL, RACK, SMALL	PRINTER TYPE
22	FG6-9019-000		1	RIGHT DOOR ASSEMBLY	

FIGURE & KEY NO.	PART NUMBER	RANK	QTY	DESCRIPTION	SERIAL NUMBER / REMARKS
100 - 22A	FB6-3313-000		4	ROLLER, PAPER FEED	
22B	FB6-3503-000		1	PANEL, RIGHT	
22C	FB6-3331-000		2	HOOK, DOOR	
22D	FB6-3332-000		1	PANEL, DECK PATH	
22E	FS5-1595-000		8	BLOCK, ROLLER	
22F	FS7-2788-000		8	SPRING, COMPRESSION	
22G	FS7-2789-000		2	SPRING, TENSION	
23	FH2-5006-000		1	CABLE, GROUNDING	100V
24	FF6-2130-000		1	TRAY, DELIVERY, 1	PLAIN TYPE EXCEPT S3200
	FB6-3561-000		1	TRAY, DELIVERY, 1	DUPLEX TYPE
25	FB6-3561-000		1	TRAY, DELIVERY, 1	
26	FB6-3562-000		1	TRAY, DELIVERY, 2	
27	FB5-8385-000		1	CAP, DUST-PROOF	
28	FB2-4456-000		2	SEAL	
29	XA9-0774-000		2	SCREW,RS,M4X16	
30	FB6-3562-000		1	TRAY, DELIVERY, 2	EXCEPT S3200
31	FB5-8385-000		5	CAP, DUST-PROOF	
32	FB6-3566-000		1	HOLDER, TRAY	
33	FB6-3569-000		2	SPRING, TORSION	
34	FS5-9274-000		2	SCREW,STEPPED,M5X2.5	
35	FS7-2855-000		2	SPRING, TENSION	
36	FB6-3771-000		7	COVER, RUBBER	PRINTER TYPE
37	FC5-0166-000		5	SEAL, BLANKING	PRINTER TYPE
38	FB6-3051-000		1	PANEL, EXHAUST	
39	FB6-3105-000		1	PANEL, BREAKER	
40	FB6-3106-000		1	PANEL, ASSIST	
41	FB6-3793-000		1	PANEL, BLANKING, FAX	
42	FF6-2132-000		1	DUCT, JOINT, FIXING	
43	XA9-0633-000		6	SCREW,RS W/WASHER,M4X8	
44	FB6-3895-000		1	EMBLEM	MLF

FIGURE & KEY NO.	PART NUMBER	RANK	QTY	DESCRIPTION	SERIAL NUMBER / REMARKS
100 - 44	FB6-3896-000		1	EMBLEM	MLG
	FB6-4923-000		1	EMBLEM	MLT
	FB6-4890-000		1	EMBLEM	MSK,MSL
	FB6-3894-000		1	EMBLEM	MLH,MSN,SSX,SSY,QLZ RLZ,SLZ,TLZ
	FB6-4920-000		1	EMBLEM	UKF
45	FB6-5450-000		1	TRAY, DOCUMENT, UPPER	
46	FB6-5451-000		1	TRAY, DOCUMENT, LOWER	
47	FS5-9161-000		2	SCREW, STEPPED, M4	
48	FB6-3006-000		1	CAP, BLANKING	
49	FB6-3376-000		2	COVER, LATCH, RIGHT	
50	FB6-3771-000		3	COVER, RUBBER	
51	FC5-0166-000		5	SEAL, BLANKING	
52	FB6-3886-000		1	LABEL, BREAKER ON/OFF	
501	XB4-5300-807		3	SCREW,P,M3X5	
502	XB3-6400-800	AR		SCREW,RS,M4X8	
503	XB4-5400-807		2	SCREW,P,M4X8	PRINTER TYPE
504	XB4-5401-007		5	SCREW,P,M4X10	
505	XB1-2400-807		3	SCREW,MACH.,TRUSS HEAD,M4X8	
506	XA9-0783-000		1	SCREW,RS,M4X12	
507	XB4-7300-609		2	SCREW,TAPPING,TRUSS HEAD,M3X6	
508	XD1-1108-239		2	SHIM	
509	XB4-5300-807		3	SCREW,P,M3X5	

FIGURE 101

MACHINE FRONT PLATE

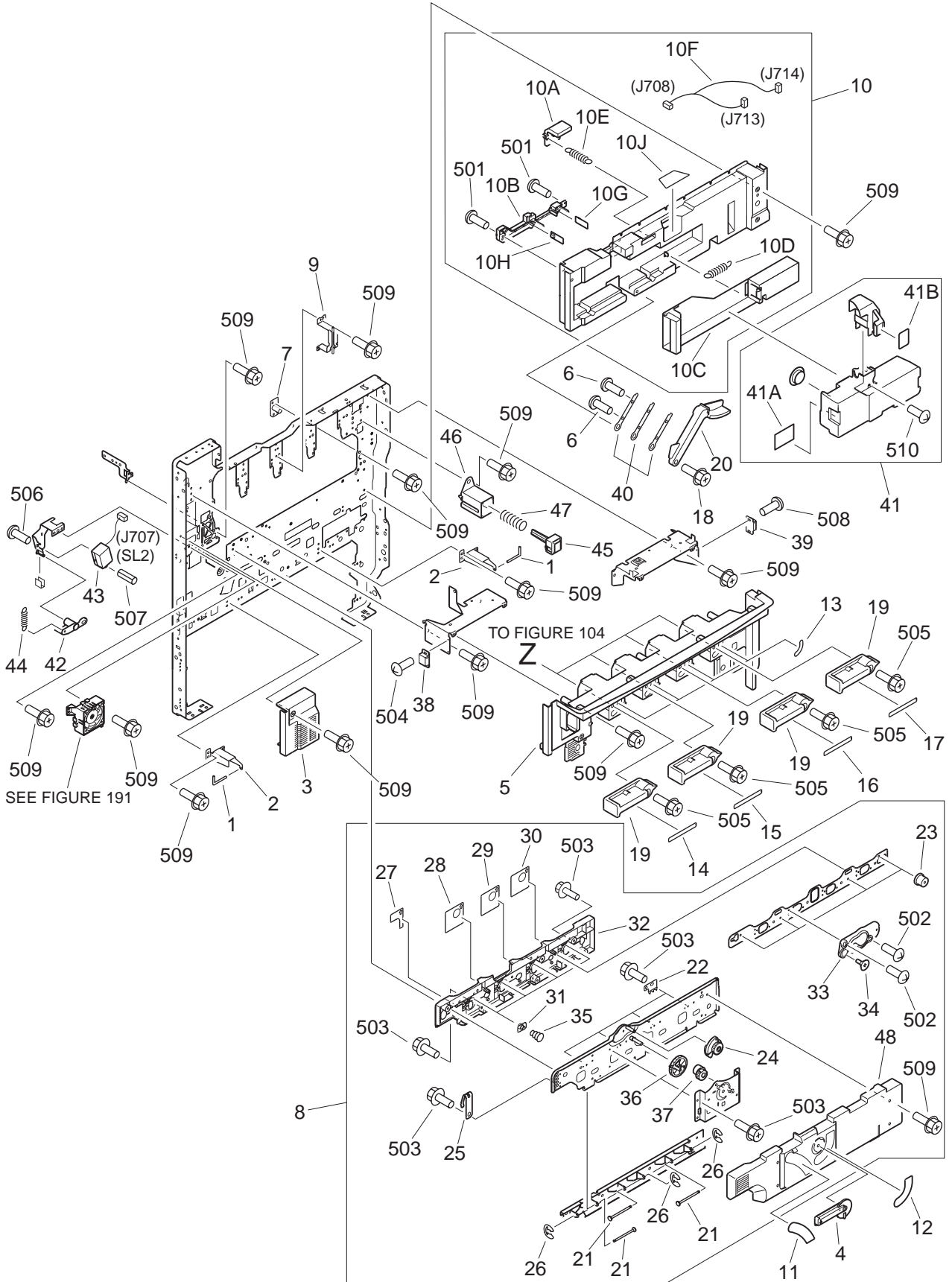


FIGURE & KEY NO.	PART NUMBER	RANK	QTY	DESCRIPTION	SERIAL NUMBER / REMARKS
101 -	NPN		RF	MACHINE FRONT PLATE	
1	FB1-7173-000		2	PIN, HINGE	
2	FB6-2990-000		2	HINGE, FRONT PANEL	
3	FB6-3158-000		1	COVER, CLEANING FAN	
4	FB6-3195-000		1	HANDLE, DRUM UNIT	
5	FB6-3196-000		1	COVER, INTERNAL, UPPER	
6	XA9-0838-000		2	SCREW,W/WASHER,M4X16	
7	FF6-2038-000		1	PLATE, POSITIONING	
8	FG6-9000-000		1	DRUM UNIT COVER ASSEMBLY	
9	FF6-2085-000		1	SUPPORT, LEAD CAM	
10	FG6-8991-000		1	INTERNAL COVER, LOWER	
10A	FB6-3124-000		1	FLAG, BOTTLE DETECT	
10B	FB6-3127-000		1	COVER, SENSOR	
10C	FF6-2114-000		1	COVER, SWING	
10D	FS7-2844-000		1	SPRING, TENSION	
10E	FS7-2845-000		1	SPRING, TENSION	
10F	FG3-2314-000		1	CABLE, WASTE TONER SENSOR	J708,713,714
10G	FG3-2374-000		1	WASTE TONER SENSOR PCB ASS'Y	
10H	FG3-2375-000		1	WASTE TONER SENSOR PCB ASS'Y	
10J	FB6-3862-000		1	LABEL, ITB LOCK LEVER	
11	FB6-3827-000		1	LABEL, ITB LOCK LEVER POSITION	
12	FB6-3828-000		1	LABEL, PROCESS HANDLE POSITION	
13	FB6-3829-000		4	LABEL, T.CRG. LEVER POSITION	
14	FB6-3830-000		1	COLOR LABEL, LEVER, YELLOW	
15	FB6-3831-000		1	COLOR LABEL, LEVER, MAGENTA	
16	FB6-3832-000		1	COLOR LABEL, LEVER, CYAN	
17	FB6-3833-000		1	COLOR LABEL, LEVER, BLACK	
18	XA9-0721-000		1	SCREW,RS,M4X10	
19	FG6-9005-000		4	LEVER, TONER CARTRIDGE	
20	FB6-2987-000		1	LEVER, TRANSFER PRESSURE	

FIGURE & KEY NO.	PART NUMBER	RANK	QTY	DESCRIPTION	SERIAL NUMBER / REMARKS
101 - 21	FB2-7867-020		3	SHAFT, HINGE	
22	FB6-3199-000		4	PLATE, CONTACT	
23	FB6-3202-000		4	BUSHING	
24	FB6-3203-000		1	CAM, LEAD	
25	FB6-3205-000		1	PLATE, GROUNDING	
26	FB6-3207-000		3	RING, HINGE SHAFT STOP	
27	FB6-3819-000		1	LABEL, COLOR, YELLOW	
28	FB6-3820-000		1	LABEL, COLOR, YELLOW/MAGENTA	
29	FB6-3821-000		1	LABEL, COLOR, MAGENTA/CYAN	
30	FB6-3822-000		1	LABEL, COLOR, CYAN/BLACK	
31	FF6-2099-000		4	PIN, THRUST	
32	FF6-2110-000		1	GUIDE, DRUM UNIT DOOR	
33	FS5-6949-000		4	SPACER	
34	FS5-9754-000		4	SCREW, MACH., C.S. HEAD, M3X4.5	
35	FS7-2826-000		4	SPRING, COMPRESSION	
36	FU3-0308-000		1	GEAR, 44T	
37	FU3-0309-000		1	GEAR, 22T	
38	XZ9-0428-000		1	MAGNET CATCH	
39	XZ9-0428-000		1	MAGNET CATCH	
40	FB6-2988-000		3	PLATE, LEVER REINFORCEMENT	
41	FG6-8992-000		1	BOTTLE, WASTE TONER	
41A	FB6-3882-000		1	LABEL, WASTE TONER WARNING	
41B	FB6-3860-000		1	LABEL, WASTE TONER BOTTLE	
42	FB6-3631-000		1	LINK, SOLENOID	
43	FH6-5054-000		1	SOLENOID	SL2, J707
44	FS7-2833-000		1	SPRING, TENSION	
45	FB6-3282-000		1	BUTTON, CLEANING	
46	FB6-3283-000		1	HOLDER, CLEANING BUTTON	
47	FS7-2849-000		1	SPRING, COMPRESSION	
48	FB6-3194-000		1	COVER, DRUM UNIT DOOR	

FIGURE 102 INTERNAL COMPONENTS 1

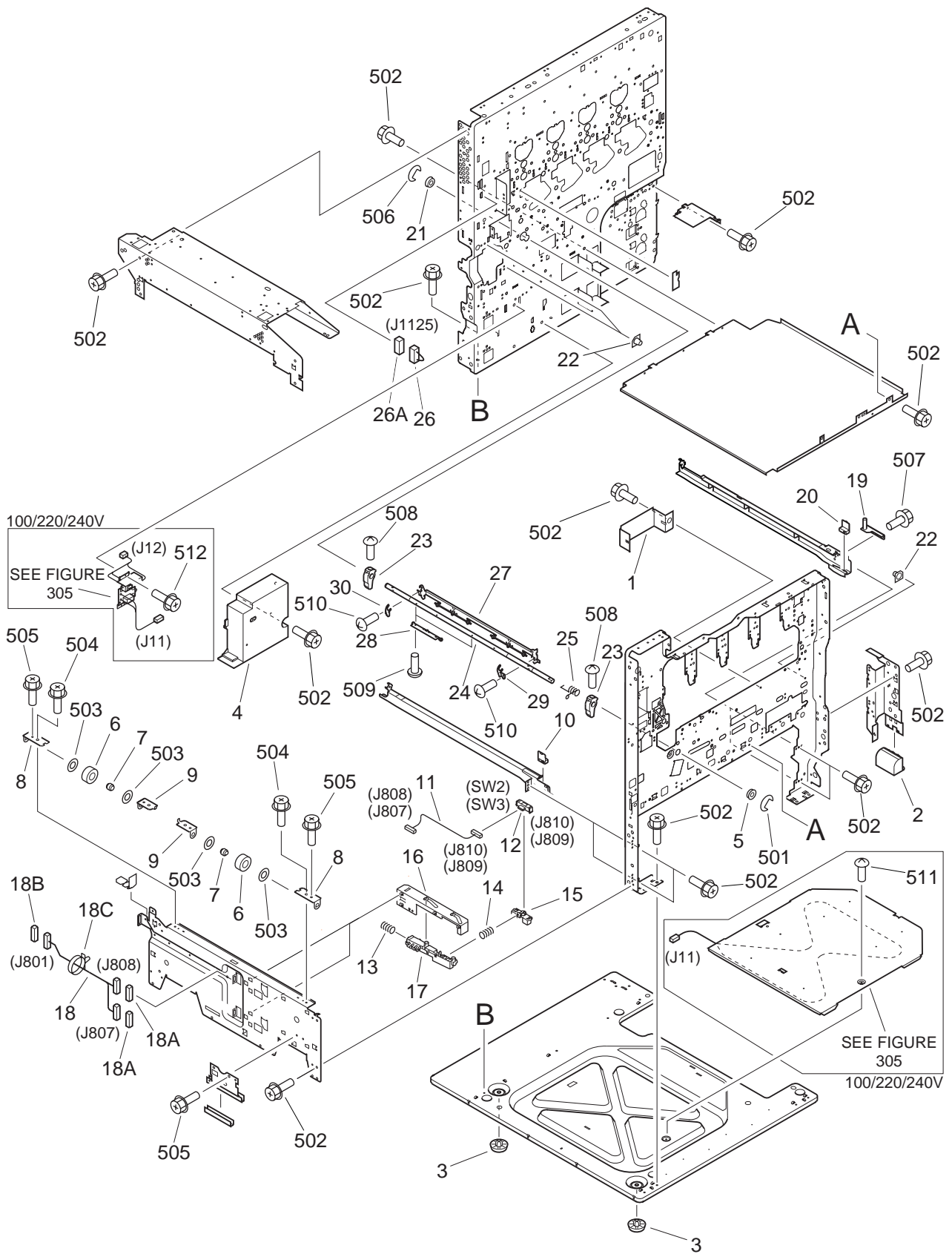


FIGURE & KEY NO.	PART NUMBER	RANK	QTY	DESCRIPTION	SERIAL NUMBER / REMARKS
102 -	NPN		RF	INTERNAL COMPONENTS 1	
1	FB6-2992-000		1	PLATE, GROUNDING	
2	FB6-3442-000		1	HANDLE, FRONT	
3	XH9-0059-000		2	FOOT, RUBBER	
4	FB6-5060-000		1	PANEL, HEATER PCB	
5	XG9-0476-000		1	BUSHING	
6	XG9-0177-000		2	BEARING, BALL	
7	FB6-3963-000		2	SHAFT, ROLLER	
8	FB6-3962-000		2	SUPPORT, ROLLER, LOWER	
9	FB6-3961-000		2	SUPPORT, ROLLER, UPPER	
10	FB6-3507-000		2	BLOCK, SWING	
11	FG3-2348-000		2	CABLE, CASSETTE SIZE SENSOR	J807,808 J809,810
12	WC2-5332-000		2	SWITCH, CASSETTE SIZE	SW2,3 J810,809
13	FS7-2808-000		2	SPRING, COMPRESSION	
14	FS7-2807-000		2	SPRING, COMPRESSION	
15	FB6-3494-000		2	HOLDER, SWITCH, 3	
16	FB6-3493-000		2	HOLDER, SWITCH, 2	
17	FB6-3492-000		2	HOLDER, SWITCH, 1	
18	FG3-2347-000		1	CABLE, LEFT LOWER CROSSMEMBER	J801,807,808
18A	VS1-6318-005		2	CONNECTOR, SNAP TIGHT	J807,808
18B	VS1-6318-010		1	CONNECTOR, SNAP TIGHT	J801
18C	WT2-5565-000		1	CLAMP, CABLE	
19	FF6-2063-000		2	PLATE, SIDE REGIST. ADJUSTMENT	
20	FB6-3507-000		2	BLOCK, SWING	
21	XG9-0476-000		1	BUSHING	
22	FB5-8385-000		4	CAP, DUST-PROOF	
23	FB6-2986-000		2	CAM, LOCK	
24	FB6-2985-000		1	SHAFT, SWING	
25	FS7-2865-000		1	SPRING, TORSION	
26	FG9-3985-000		1	CONNECTOR, SHORT	100V J1125

FIGURE & KEY NO.	PART NUMBER	RANK	QTY	DESCRIPTION	SERIAL NUMBER / REMARKS
102 - 26	FG9-3986-000		1	CONNECTOR, SHORT	120/220/240V J1125
26A	VS1-6318-003		1	CONNECTOR, SNAP TIGHT	J1125
27	FF6-2156-000		1	ROWEL, ITB	
28	FF6-2155-000		2	ROWEL, SWING SHAFT	
29	FB6-4906-000		1	PLATE, ROWEL MOUNTING, FRONT	
30	FB6-4907-000		1	PLATE, ROWEL MOUNTING, REAR	
501	XD2-1100-802		1	RING,E	
502	XB3-6400-800	AR		SCREW,RS,M4X8	
503	XD1-1106-222		4	SHIM	
504	XB3-6300-600		2	SCREW,RS,M3X6	
505	XB3-6400-800		3	SCREW,RS,M4X8	
506	XD2-1100-802		1	RING,E	
507	XB3-6400-800		2	SCREW,RS,M4X8	
508	XB2-8401-607		2	SCREW,W/WASHER,M4X16	
509	XB1-2300-607		4	SCREW,MACH.,TRUSS HEAD,M3X6	
510	XB1-2300-607		2	SCREW,MACH.,TRUSS HEAD,M3X6	
511	XB1-2400-407		1	SCREW,MACH.,TRUSS HEAD,M4X4	100/220/240V
512	XB3-6400-800		2	SCREW,RS,M4X8	100/220/240V

FIGURE 103

INTERNAL COMPONENTS 2

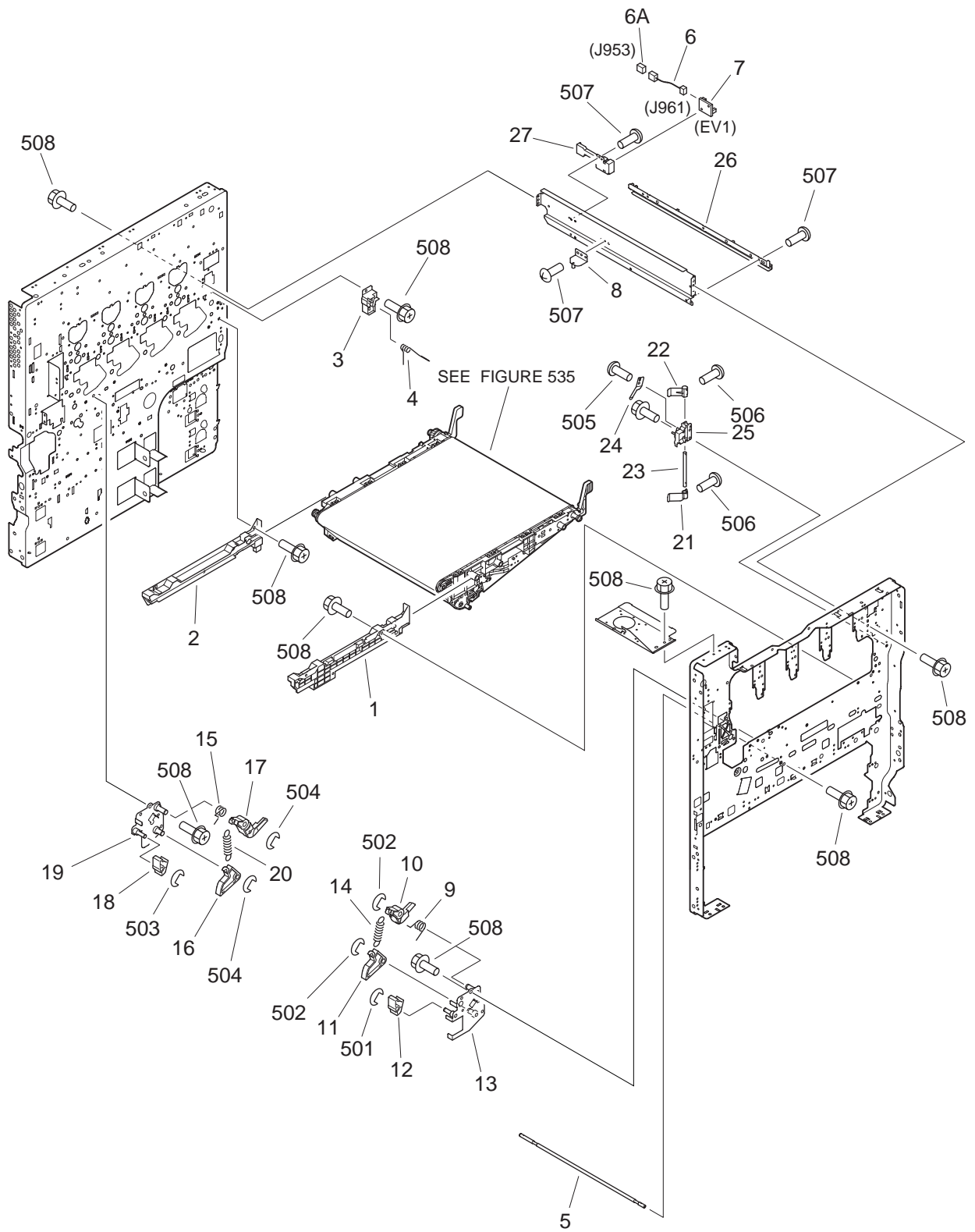


FIGURE & KEY NO.	PART NUMBER	RANK	QTY	DESCRIPTION	SERIAL NUMBER / REMARKS
103 -	NPN		RF	INTERNAL COMPONENTS 2	
1	FB6-2991-000		1	RAIL, TRANSFER, FRONT	
2	FB6-2993-000		1	RAIL, TRANSFER, REAR	
3	FB6-3288-000		1	BLOCK, REG. SENSOR POSITION, R	
4	FB6-3289-000		1	SPRING, TORSION	
5	FB6-3371-000		1	SHAFT, POSITIONING	
6	FG3-2319-000		1	CABLE, ENVIRONMENT SENSOR	J953,961
6A	VS1-6318-004		1	CONNECTOR, SNAP TIGHT	J953
7	FH7-7602-000		1	ENVIRONMENT SENSOR UNIT	EV1 J961
8	FF6-2047-000		1	PLATE, OPEN/CLOSE PIN	
9	FB6-2960-000		1	SPRING, TORSION	
10	FB6-2961-000		1	ARM, PRESSURE, FRONT	
11	FB6-2965-000		1	LEVER, LOCK	
12	FB6-2968-000		1	CAM, SWING	
13	FF6-2016-000		1	SUPPORT, SWING SHAFT, FRONT	
14	FS7-2785-000		1	SPRING, TENSION	
15	FB6-2964-000		1	SPRING, TORSION	
16	FB6-2965-000		1	LEVER, LOCK	
17	FB6-2967-000		1	ARM, PRESSURE, REAR	
18	FB6-2968-000		1	CAM, SWING	
19	FF6-2017-000		1	SUPPORT, SWING SHAFT, REAR	
20	FS7-2785-000		1	SPRING, TENSION	
21	FB6-3278-000		1	CAM, CLEANING, 1	
22	FB6-3279-000		1	CAM, CLEANING, 2	
23	FB6-3280-000		1	SHAFT, CLEANING CAM	
24	FB6-3281-000		1	SPRING, LEAF	
25	FB6-3277-000		1	BLOCK, REG. SENSOR POSITION, F	
26	FB6-3172-000		1	RAIL, DRUM UNIT	
27	FB6-3285-000		1	COVER, ENVIRONMENT SENSOR	
501	XD2-1100-502		1	RING,E	

FIGURE 104

INTERNAL COMPONENTS 3

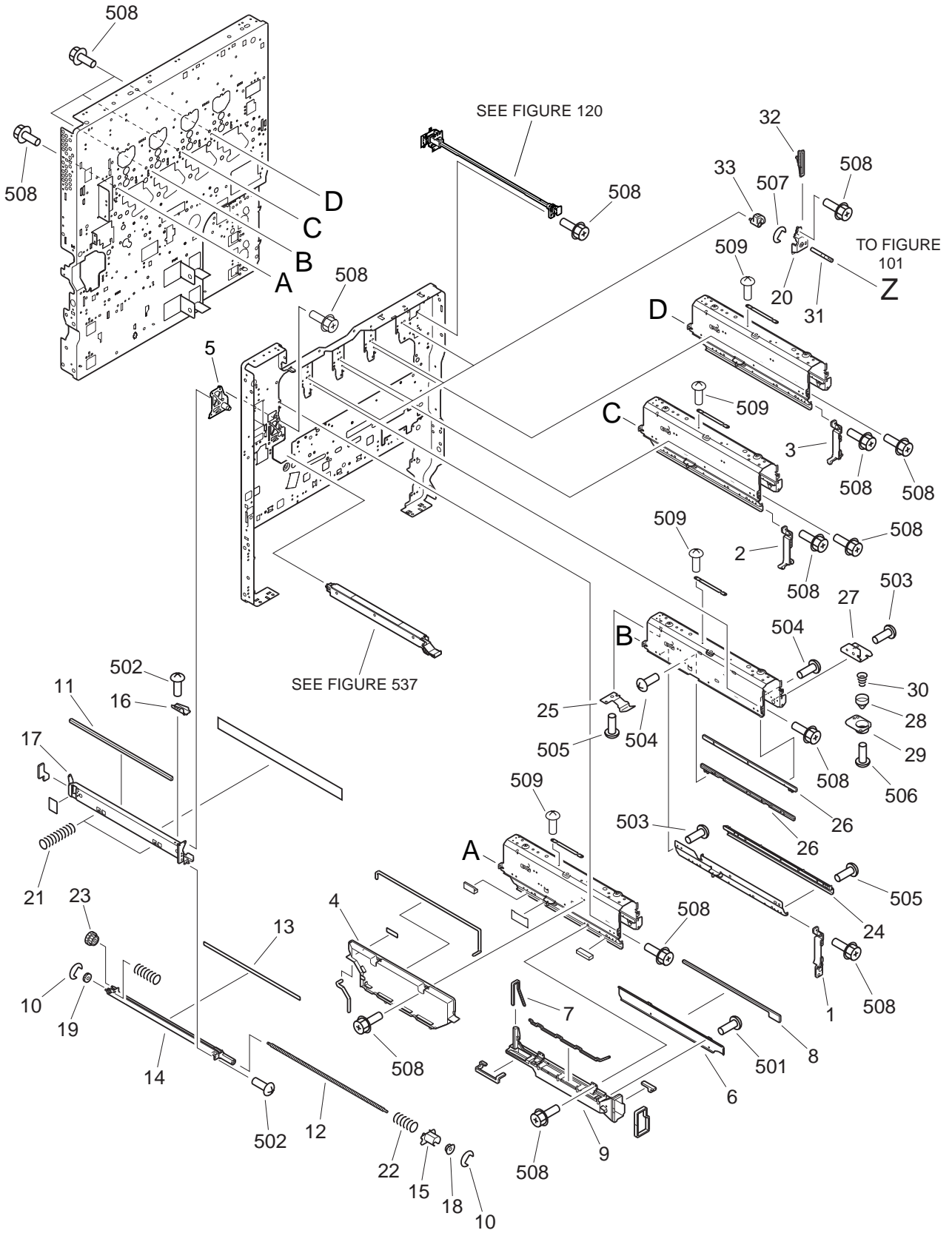


FIGURE & KEY NO.	PART NUMBER	RANK	QTY	DESCRIPTION	SERIAL NUMBER / REMARKS
104 -	NPN		RF	INTERNAL COMPONENTS 3	
1	FB6-3187-000		1	RAIL, MAGENTA	
2	FB6-3188-000		1	RAIL, CYAN	
3	FB6-3189-000		1	RAIL, BLACK	
4	FF6-2107-000		1	DUCT, T. CARTRIDGE SIDE PLATE	
5	FF6-2039-000		1	PLATE, POSITIONING, LEFT	
6	FB6-3800-000		1	PLATE, DUCT SEPARATION	
7	FB6-3801-000		1	SEAL, DUCT, 1	
8	FB6-3807-000		1	SEAL, DUCT, 7	
9	FF6-2106-000		1	DUCT, DRUM UNIT	
10	FA3-8727-000		2	RING, RETAINING	
11	FB6-3116-000		1	SEAL, DUCT, UPPER	
12	FB6-3117-000		1	FEEDSCREW	
13	FB6-3118-000		1	SHEET	
14	FB6-3119-000		1	CASE, FEEDSCREW	
15	FB6-3120-000		1	SHUTTER, CLEANING	
16	FB6-3152-000		1	GUIDE	
17	FF6-2033-000		1	RAIL, CLEANING SUPPORT	
18	FS6-1060-000		1	BUSHING	
19	FS7-0579-000		1	GEAR, 25T	
20	FB6-3190-000		4	BLOCK, TONER CARTRIDGE LEVER	
21	FS7-2842-000		2	SPRING, COMPRESSION	
22	FS7-2843-000		1	SPRING, COMPRESSION	
23	FU3-0343-000		1	GEAR, 28T/28T	
24	FB6-3172-000		4	RAIL, DRUM UNIT	
25	FB6-3173-000		4	PLATE, TONER CARTRIDGE LOCK	
26	FB6-3175-000		8	RAIL, TONER CARTRIDGE	
27	FB6-3179-000		4	SUPPORT, DRUM UNIT CLICK	
28	FB6-3180-000		4	RETAINER, DRUM UNIT CLICK	
29	FB6-3181-000		4	HOLDER, DRUM UNIT CLICK	

FIGURE & KEY NO.	PART NUMBER	RANK	QTY	DESCRIPTION	SERIAL NUMBER / REMARKS
104 - 30	FS7-2827-000		4	SPRING, COMPRESSION	
31	FB6-3192-000		4	SHAFT, TONER CARTRIDGE LEVER	
32	FB6-3193-000		4	BAR, SLIDE	
33	FU3-0345-000		4	GEAR, 32T	
501	XB4-5300-607		4	SCREW,P,M3X6	
502	XB1-2300-607		2	SCREW,MACH.,TRUSS HEAD,M3X6	
503	XB3-6300-800		16	SCREW,RS,M3X8	
504	XB4-5300-607		8	SCREW,P,M3X6	
505	XB6-7300-407		16	SCREW,TP,M3X4	
506	XB3-6300-800		8	SCREW,RS,M3X8	
507	XD2-1100-502		4	RING,E	
508	XB3-6400-800		AR	SCREW,RS,M4X8	
509	XB1-2300-507		10	SCREW,MACH.,TRUSS HEAD,M3X5	

FIGURE & KEY NO.	PART NUMBER	RANK	QTY	DESCRIPTION	SERIAL NUMBER / REMARKS
105 -	NPN		RF	INTERNAL COMPONENTS 4	
1	FB6-3261-000		4	PLATE, SCANNER ADJUSTMENT	
2	FB6-3262-000		3	COVER, LASER, 1	
3	FB6-3263-000		1	COVER, LASER, 2	
4	FF2-5915-000		1	KEY, SWITCH	
5	FG3-3004-000		1	CABLE, KEY SWITCH	J537
5A	VS1-5057-002		1	CONNECTOR, SNAP TIGHT	J537
6	FG3-2346-000		1	CABLE, DRAWER	J750,755
6A	VS1-6319-030		1	CONNECTOR, SNAP TIGHT	J755
6B	VS1-6919-031		1	CONNECTOR, DRAWER	J750
7	FS7-2796-000		2	SPRING, COMPRESSION	
8	FS5-9758-000		2	SCREW, STEPPED, M3	
9	FB6-3143-000		1	FLAG, FIXING/FEEDER SENSOR	
10	FB6-3145-000		1	COVER, DRAWER CONNECTOR	
11	FF6-2034-000		1	DUCT, CLEANING	
12	FB6-3366-000		1	MOUNT, DRAWER CABLE	
13	FB6-3839-000		1	SEAL, DUCT	
14	FH7-7462-000		1	PHOTO-INTERRUPTER	PS5 J709
15	FS5-9760-000		1	SCREW, RS STEPPED, M3	
16	FS7-2848-000		2	SPRING, COMPRESSION	
17	FS7-2853-000		1	SPRING, COMPRESSION	
18	RH7-6037-000		2	SWITCH, INTERLOCK	MSW5,6
19	FG3-2309-000		1	CABLE, FIXING CROSSMEMBER	J562,702,707-709,716
19A	VS1-5057-002		1	CONNECTOR, SNAP TIGHT	J707
19B	VS1-5057-003		1	CONNECTOR, SNAP TIGHT	J716
19C	VS1-5057-004		1	CONNECTOR, SNAP TIGHT	J562
19D	VS1-5057-005		1	CONNECTOR, SNAP TIGHT	J708
19E	VS1-6318-013		1	CONNECTOR, SNAP TIGHT	J702
20	FG3-2310-000		1	CABLE, FIXING DRAWER	J95,96,800,802
20A	VS1-6318-011		1	CONNECTOR, SNAP TIGHT	J800

FIGURE & KEY NO.	PART NUMBER	RANK	QTY	DESCRIPTION	SERIAL NUMBER / REMARKS
105 - 21	FG3-2352-000		1	CABLE, SCANNER, YELLOW	J114,608
21A	WT2-5565-000		1	CLAMP, CABLE	
22	FG3-2353-000		1	CABLE, SCANNER, MAGENTA	J116,612
22A	WT2-5565-000		1	CLAMP, CABLE	
23	FG3-2354-000		1	CABLE, SCANNER, CYAN	J118,616
23A	WT2-5565-000		1	CLAMP, CABLE	
24	FG3-2364-000		1	CABLE, SCANNER, BLACK	J120,620
24A	WT2-5565-000		1	CLAMP, CABLE	
25	VS1-6318-006		1	CONNECTOR, SNAP TIGHT	J952
26	FG3-3005-000		1	CABLE, CONTROLLER	J510,511,537,1123
26A	WT2-5565-000		1	CLAMP, CABLE	
26B	VS1-5057-002		1	CONNECTOR, SNAP TIGHT	J537
26C	VS1-6319-036		1	CONNECTOR, SNAP TIGHT	J510
27	VS1-6318-014		1	CONNECTOR, SNAP TIGHT	J951
501	XB3-6400-800		AR	SCREW,RS,M4X8	
502	XB1-2400-607		1	SCREW,MACH.,TRUSS HEAD,M4X6	
503	XB2-4231-209		4	SCREW,W/WASHER,M2.3X12	
504	XB2-8400-807		2	SCREW,W/WASHER,M4X8	
505	XB3-6400-800		1	SCREW,RS,M4X8	
506	XD1-1104-135		2	SHIM	
507	XD2-1100-242		2	RING,E	
508	XB1-2400-607		2	SCREW,MACH.,TRUSS HEAD,M4X6	
509	XD1-1104-135		2	SHIM	
510	XB4-6260-807		2	SCREW,TAPPING,PAN HEAD,M2.6X8	
511	XB2-8301-009		AR	SCREW,W/WASHER,M3X10	

FIGURE & KEY NO.	PART NUMBER	R A N K	Q' T Y	DESCRIPTION	SERIAL NUMBER / REMARKS
106 -	NPN		RF	INTERNAL COMPONENTS 5	
1	FB6-3679-000		2	BLOCK, FIXING/FEEDER STOP	
2	FB6-3933-000		1	ARM, CLICK, REAR	
3	FB6-3232-000		1	PLATE, STOP	
4	FB6-3932-000		1	ARM, CLICK, FRONT	
5	FB6-3316-000		1	PLATE, REGISTRATION STOP	
6	FB6-3526-000		1	LABEL, SIZE, MANUAL FEED	JPN EXCEPT S3200
	FB6-4867-000		1	LABEL, SIZE, MANUAL FEED	JPN S3200
	FB6-3527-000		1	LABEL, SIZE, MANUAL FEED	US
	FB6-3528-000		1	LABEL, SIZE, MANUAL FEED	EURO
	FB6-3529-000		1	LABEL, SIZE, MANUAL FEED	GENE
7	FS7-2847-000		2	SPRING, TENSION	
8	FB6-3689-000		2	BUSHING, SLIDE SHAFT	
9	FB6-3693-000		1	BRACKET, FIXING	
10	FF6-2141-000		1	PANEL, DELIVERY, INTERNAL	
11	RB1-6484-000		1	STOPPER, OPEN/CLOSE	
12	FG3-2299-000		1	CABLE, DUPLEXING CONNECT	DUPLEX TYPE J403,404,442
13	VS1-6318-009		1	CONNECTOR, SNAP TIGHT	J701
14	VS1-6318-012		1	CONNECTOR, SNAP TIGHT	J703
15	FB6-4868-000		1	LABEL, POSTCARD SET	S3200 ONLY
16	FB6-4869-000		1	GUIDE, SIZE FIXING	S3200 ONLY
501	XB3-6400-800		1	SCREW,RS,M4X8	
502	XB3-6300-800		2	SCREW,RS,M3X8	
503	XB3-6400-800		1	SCREW,RS,M4X8	
504	XB3-6400-800		AR	SCREW,RS,M4X8	
505	XA9-1401-000		2	SCREW,P,M3X10	DUPLEX TYPE
	XB3-6300-800		2	SCREW,RS,M3X8	PLAIN TYPE

FIGURE 107 MACHINE REAR PLATE 1

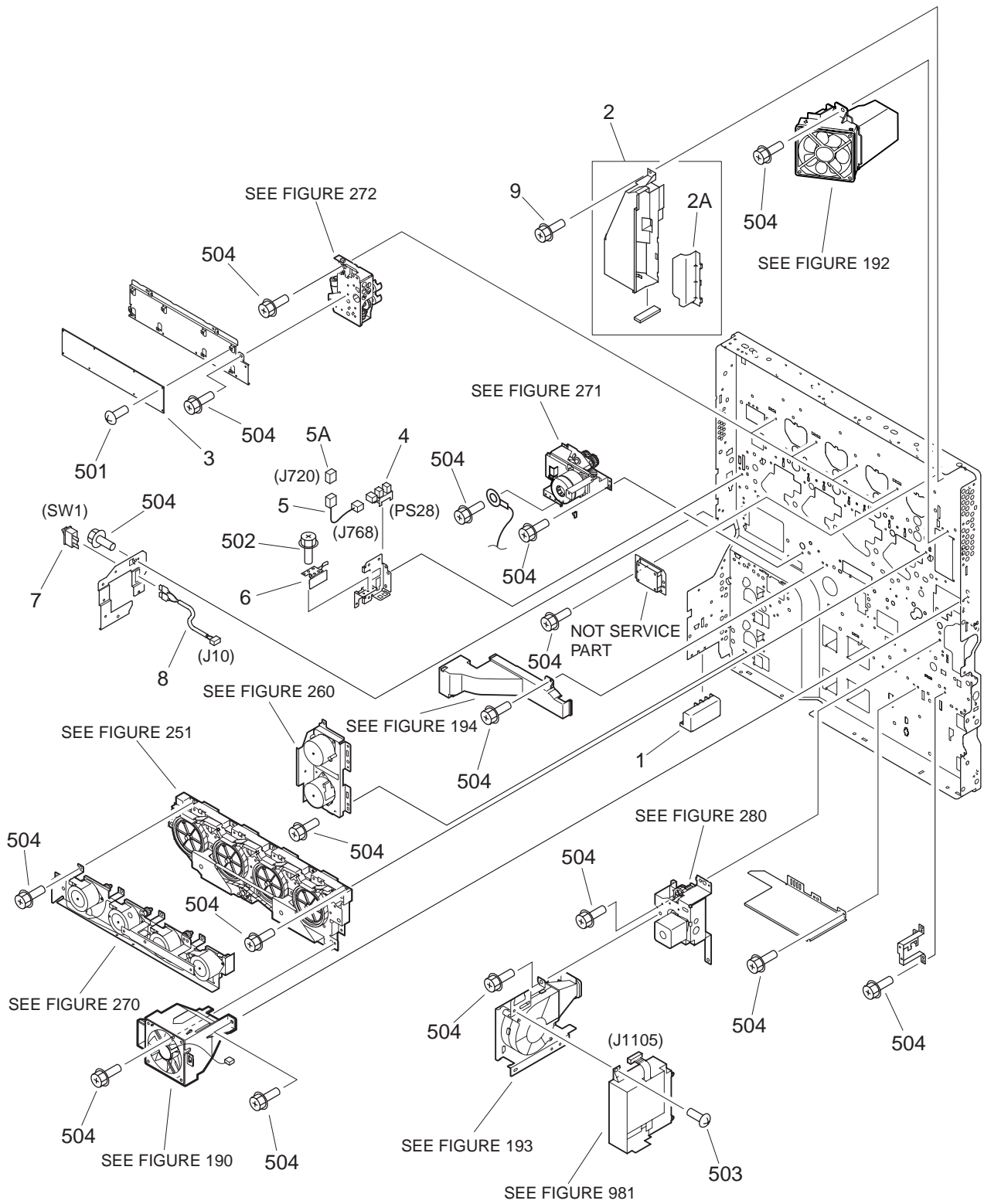


FIGURE & KEY NO.	PART NUMBER	RANK	QTY	DESCRIPTION	SERIAL NUMBER / REMARKS
107 -	NPN		RF	MACHINE REAR PLATE 1	
1	FB6-3440-000		1	HANDLE, REAR	
2	FG6-8956-000		1	DUCT, ELECTRICAL EXHAUST	
2A	FB6-3169-000		1	DUCT, EXHAUST, SMALL	
3	FG3-2345-000		1	MEMORY PCB ASSEMBLY	
4	FH7-7312-000		1	PHOTO-INTERRUPTER	PS28 J768
5	FG3-2383-000		1	CABLE, REGIST. MULTI SENSOR	J720,768
5A	VS1-5057-004		1	CONNECTOR, SNAP TIGHT	J720
6	FG6-9015-000		1	DOUBLE SWITCH PCB ASSEMBLY	
7	FH7-6357-000		1	SWITCH, MAIN	SW1
8	FG3-2366-000		1	CABLE, MAIN SWITCH	J10
9	XA9-1030-000		AR	SCREW, RS, M4X12	
501	XB2-4300-607		8	SCREW,W/WASHER,M3X6	
502	XB3-6300-800		1	SCREW,RS,M3X8	
503	XB1-2400-607		3	SCREW,MACH.,TRUSS HEAD,M4X6	
504	XB3-6400-800		AR	SCREW,RS,M4X8	

FIGURE & KEY NO.	PART NUMBER	RANK	QTY	DESCRIPTION	SERIAL NUMBER / REMARKS
108 -	NPN		RF	MACHINE REAR PLATE 2	
1	FB6-3109-000		1	SUPPORT, LOWER PANEL	
2	FF6-2100-000		1	SUPPORT, RAIL ROTATING	
3	FG6-8946-000		1	CABLE, TRANSFER H.V. TERMINAL	J83
4	FH2-6552-000		1	COVER, CONNECTOR	
5	FB6-3137-000		1	BLOCK, DISPATCHING	
6	FB6-3138-000		1	PLATE, HV CONTACT, 1	
7	FB6-3156-000		1	PLATE, GROUNDING, 1	
8	FH2-9249-000		1	CABLE, SECONDARY TRANSFER HV	
9	FG3-2350-000		1	CABLE, READER LATTICE	J561,565
10	FG3-2351-000		1	CABLE, C. PEDESTAL LATTICE	J558,950,962,963
10A	VS1-5820-002		1	CONNECTOR, SNAP TIGHT	J558
10B	VS1-5820-007		1	CONNECTOR, SNAP TIGHT	J962
10C	VS1-5820-008		1	CONNECTOR, SNAP TIGHT	J963
11	FG6-9671-000		1	DUPLEXING DRIVER PCB ASSEMBLY	DUPLEX TYPE
12	XA9-0782-000		1	SCREW, M4X8	
13	FH2-5824-000		1	COVER, CONNECTOR, 1	PRINTER TYPE
14	FG3-2390-000		1	CABLE, DC CONTROLLER MOUNT	J111,769
501	XB3-6400-800		AR	SCREW,RS,M4X8	
502	XB2-8300-607		3	SCREW,W/WASHER,M3X6	
503	XB1-2300-807		4	SCREW,MACH.,TRUSS HEAD,M3X8	
504	XB1-2400-607		2	SCREW,MACH.,TRUSS HEAD,M4X6	
505	XD1-3100-407		2	WASHER,SPRING	
506	XB2-8300-807		4	SCREW,W/WASHER,M3X8	DUPLEX TYPE

FIGURE 120 DOOR SWITCH ASSEMBLY

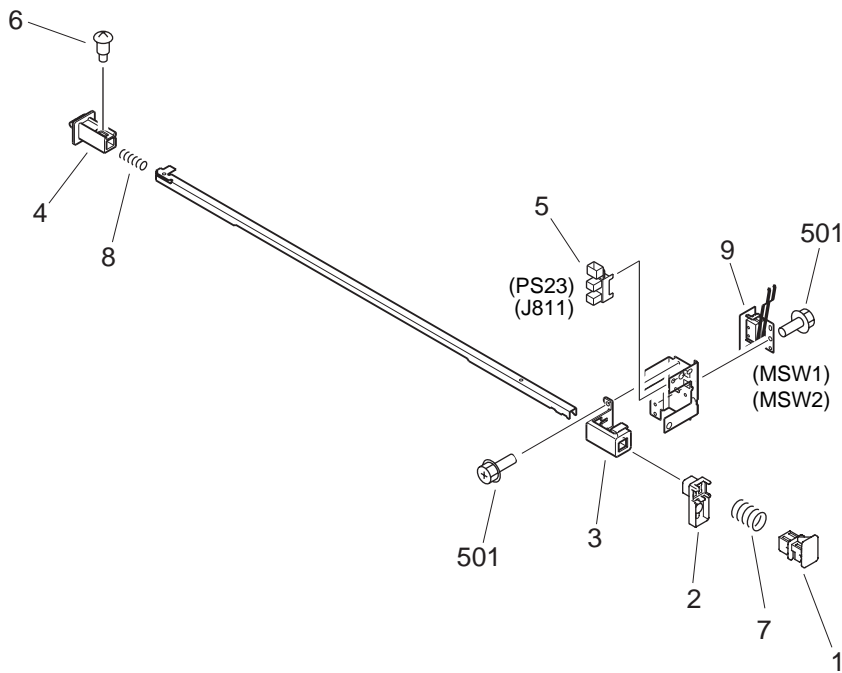


FIGURE & KEY NO.	PART NUMBER	RANK	QTY	DESCRIPTION	SERIAL NUMBER / REMARKS
120 -	FG6-9013-000		1	DOOR SWITCH ASSEMBLY	
1	FB4-3064-000		1	BLOCK, SHAFT PRESSURE	
2	FB4-3066-000		1	HOLDER, DOOR SWITCH, FRONT	
3	FB6-3216-000		1	HOLDER, DOOR SWITCH SHAFT	
4	FB6-3218-000		1	BLOCK, SWITCH PUSH	
5	FH7-7312-000		1	PHOTO-INTERRUPTER	PS23 J811
6	FS1-9010-000		1	SCREW, STEPPED, M3X2.2	
7	FS6-2785-000		1	SPRING, COMPRESSION	
8	FS7-2854-000		1	SPRING, COMPRESSION	
9	FG6-9015-000		1	DOUBLE SWITCH PCB ASSEMBLY	MSW1,2
501	XB3-6300-800		3	SCREW, RS, M3X8	

FIGURE 125 VERTICAL PATH PANEL ASSEMBLY

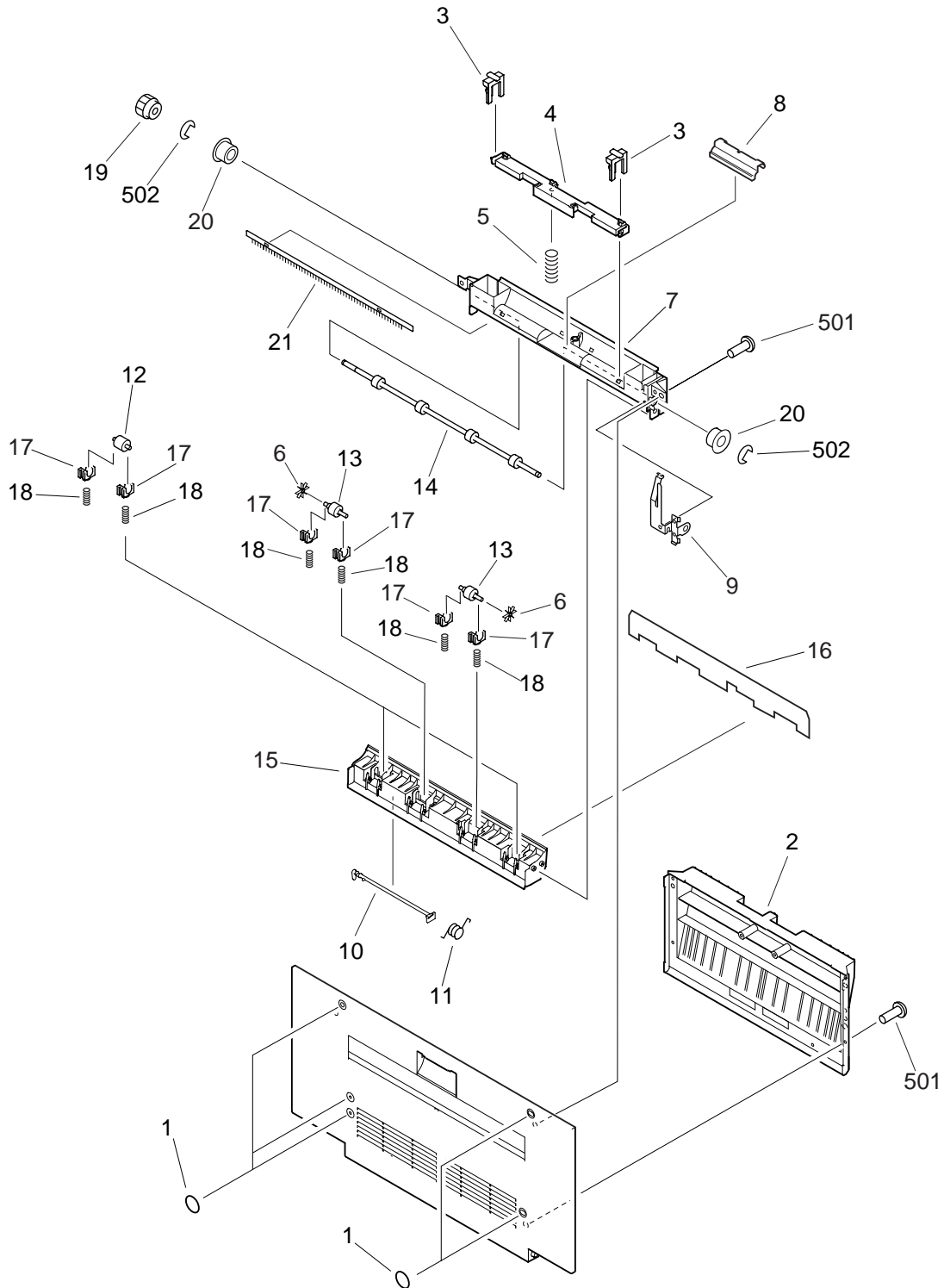


FIGURE & KEY NO.	PART NUMBER	RANK	QTY	DESCRIPTION	SERIAL NUMBER / REMARKS
125 -	FG6-9052-000		1	VERTICAL PATH PANEL ASSEMBLY	
1	FC5-0166-000		5	SEAL, BLANKING	
2	FB6-3557-000		1	GUIDE, VERTICAL PATH RIB	
3	FB6-3866-000		2	PIN, LATCH	
4	FB6-3867-000		1	LEVER, COVER	
5	RB1-6486-000		1	SPRING, COMPRESSION	
6	FB4-5967-000		2	FIN, DELIVERY	
7	FB6-3547-000		1	GUIDE, VERTICAL PATH DELIVERY	
8	FB6-4919-000		1	GUIDE, SPACER	
9	FB6-3551-000		1	PLATE, GROUNDING	
10	FB6-3552-000		1	FLAG, V. PATH DELIVERY SENSOR	
11	FB6-3553-000		1	SPRING, TORSION	
12	FB6-3554-000		2	ROLLER, DELIVERY, 1	
13	FB6-3555-000		2	ROLLER, DELIVERY, 2	
14	FB6-3876-000		1	ROLLER, VERTICAL PATH DELIVERY	
15	FB6-3549-000		1	GUIDE, V. PATH DELIVERY, LOWER	
16	FB6-3548-000		1	SHEET, V. PATH DELIVERY GUIDE	
17	FS6-1059-000		8	BUSHING	
18	FS7-2834-000		8	SPRING, COMPRESSION	
19	FU3-0325-000		1	GEAR, 17T	
20	RS5-1101-000		2	BUSHING, CONDUCTIVE	
21	RB1-6666-000		1	ELIMINATOR, STATIC CHARGE	
501	XB4-5300-807		12	SCREW,P,M3X5	
502	XD2-1100-502		2	RING,E	

FIGURE 130 CONTROL PANEL ASSEMBLY

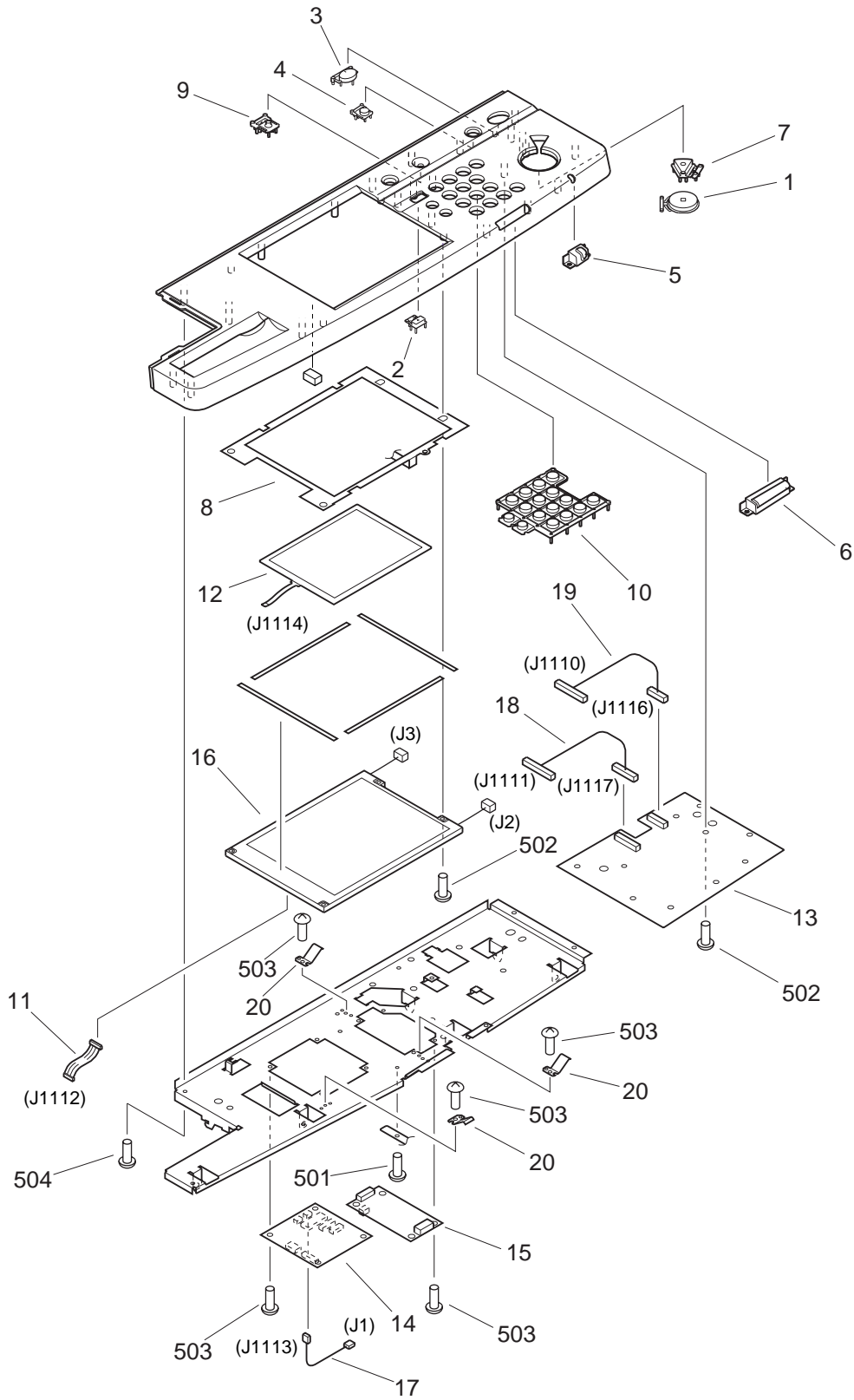


FIGURE & KEY NO.	PART NUMBER	RANK	QTY	DESCRIPTION	SERIAL NUMBER / REMARKS
130 -	FG6-8932-000		1	CONTROL PANEL ASSEMBLY	JPN
	FG6-8933-000		1	CONTROL PANEL ASSEMBLY	USA
	FG6-8935-000		1	CONTROL PANEL ASSEMBLY	GENE
	FG6-8934-000		1	CONTROL PANEL ASSEMBLY	EURO
1	FB5-2172-000		1	KEY TOP, START	
2	FB5-3698-000		1	KEY TOP, RESET	
3	FB5-3699-000		1	KEY TOP, POWER SUPPLY	
4	FB5-3728-000		1	KEY TOP, ENERGY SAVE	
5	FB6-3944-000		1	WINDOW, LAMP	
6	FB6-3945-000		1	WINDOW, LAMP	
7	FB6-3946-000		1	KEY TOP, STOP	
8	FB6-3947-000		1	SHEET, ELECTROSTATIC	
9	FB6-3951-000		1	KEY TOP, COUNTER	
10	FF6-2104-000		1	KEY TOP, NUMBERS	
11	FH2-7037-000		1	CABLE, FLAT	J1112
12	FH6-0784-000		1	ANALOG TOUCH PANEL UNIT	J1114
13	FG6-8937-000		1	CONTROL PANEL KEY PCB ASSEMBLY	
14	FG6-8938-000		1	CONTROL PANEL CPU PCB ASSEMBLY	
15	FG6-8939-000		1	C. PANEL INVERTER PCB ASSEMBLY	
16	FG6-8940-000		1	LCD CONTROL PANEL UNIT	JPN J2,3
	FG6-8936-000		1	LCD CONTROL PANEL UNIT	EXCEPT JPN J2,3
17	FG6-9164-000		1	CABLE, C. PANEL INVERTER	J1,1113
18	FG6-9165-000		1	CABLE, C. PANEL KEY, A	J1111,1117
19	FG6-9166-000		1	CABLE, C. PANEL KEY, B	J1110,1116
20	FB6-3953-000		3	PLATE, GROUNDING	
501	XB2-8300-607		1	SCREW,W/WASHER,M3X6	
502	XB4-5300-807		10	SCREW,P,M3X5	
503	XB1-2300-607		11	SCREW,MACH.,TRUSS HEAD,M3X6	
504	XB4-5301-007		8	SCREW,P,M3X10	

FIGURE 190 FIXING EXHAUST FAN ASSEMBLY

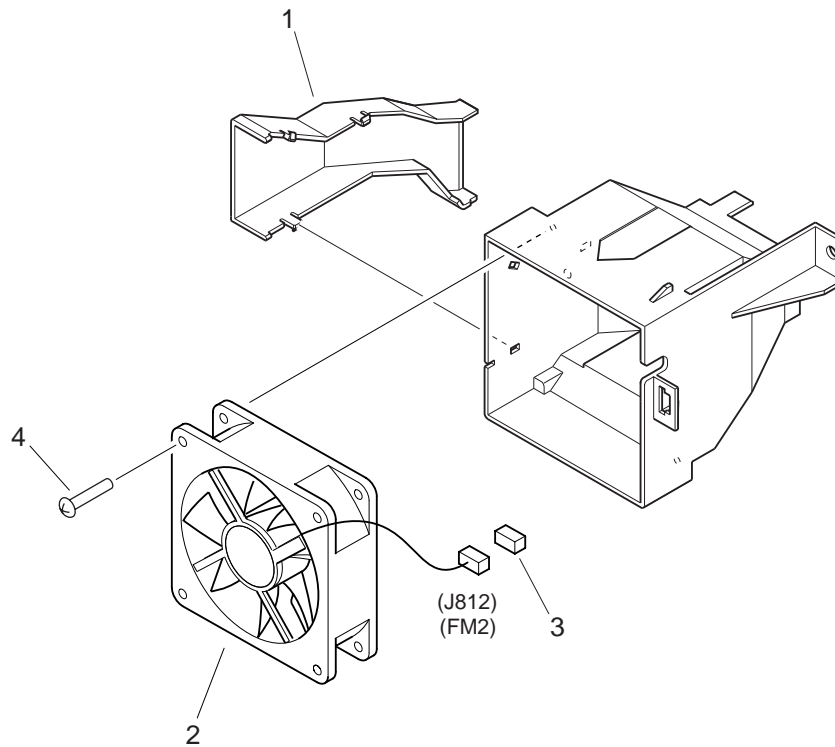


FIGURE & KEY NO.	PART NUMBER	RANK	QTY	DESCRIPTION	SERIAL NUMBER / REMARKS
190 -	FG6-8968-000		1	FIXING EXHAUST FAN ASSEMBLY	
1	FB6-3167-000		1	DUCT, FIXING EXHAUST FAN	
2	FH6-1980-000		1	FAN	FM2 J812
3	VS1-5057-003		1	CONNECTOR, SNAP TIGHT	J812
4	XB4-5403-507		2	SCREW,P,M4X35	

FIGURE 191 CLEANING COOLING FAN ASSEMBLY

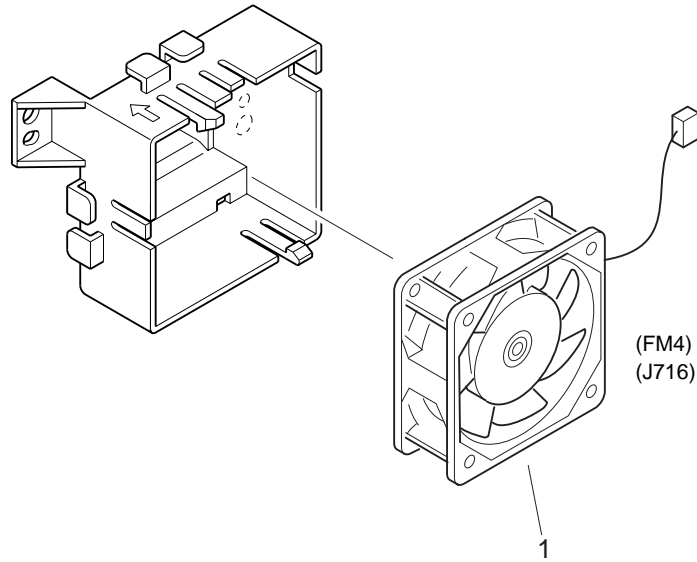


FIGURE & KEY NO.	PART NUMBER	RANK	QTY	DESCRIPTION	SERIAL NUMBER / REMARKS
191 -	FG6-8995-000		1	CLEANING COOLING FAN ASSEMBLY	
1	FH6-1981-000		1	FAN	FM4 J716

FIGURE 192 MACHINE EXHAUST FAN ASSEMBLY

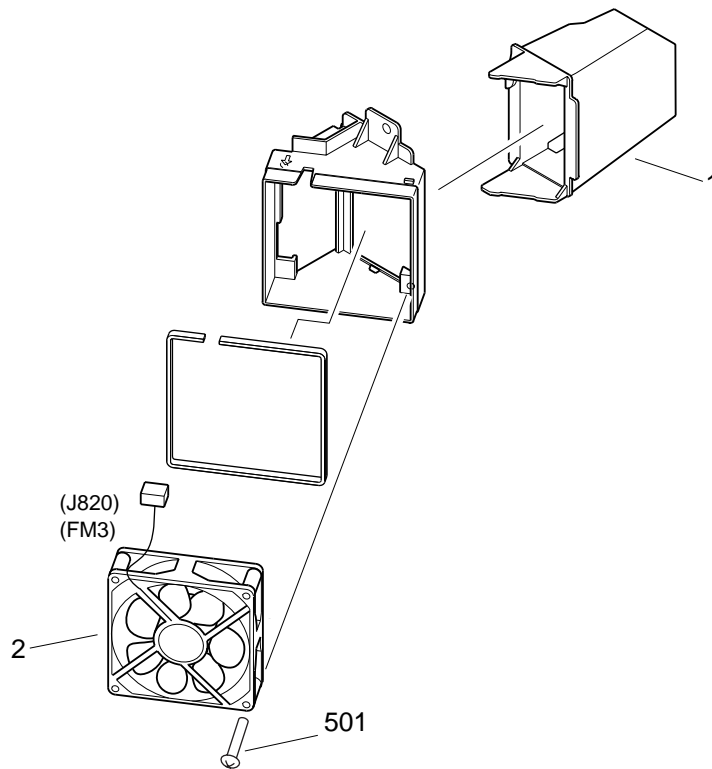


FIGURE & KEY NO.	PART NUMBER	RANK	QTY	DESCRIPTION	SERIAL NUMBER / REMARKS
192 -	FG6-9008-000		1	MACHINE EXHAUST FAN ASSEMBLY	
1	FB6-3797-000		1	DUCT, JOINT	
2	FH6-1979-000		1	FAN	FM3 J820
501	XB4-5403-007		2	SCREW, P M4X30	

FIGURE 193

DELIVERY COOLING FAN ASSEMBLY

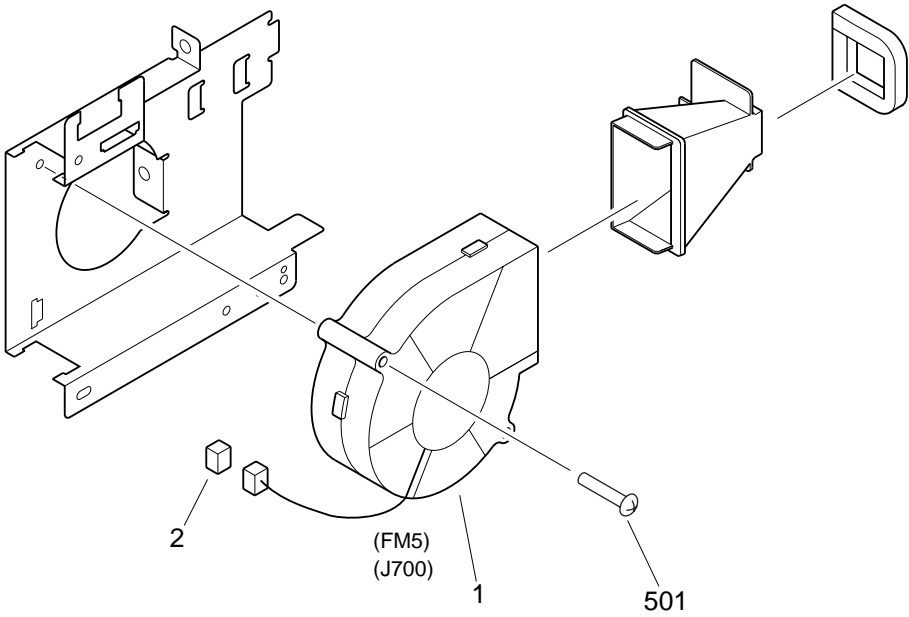


FIGURE & KEY NO.	PART NUMBER	RANK	QTY	DESCRIPTION	SERIAL NUMBER / REMARKS
193 -	FG6-9065-000		1	DELIVERY COOLING FAN ASSEMBLY	
1	FH6-1982-000		1	FAN	FM5 J700
2	VS1-5057-003		1	CONNECTOR, SNAP TIGHT	J700
501	XB1-2404-007		2	SCREW,MACH.,TRUSS HEAD,M4X40	

FIGURE 194 MULTI FAN ASSEMBLY (DUPLEX TYPE)

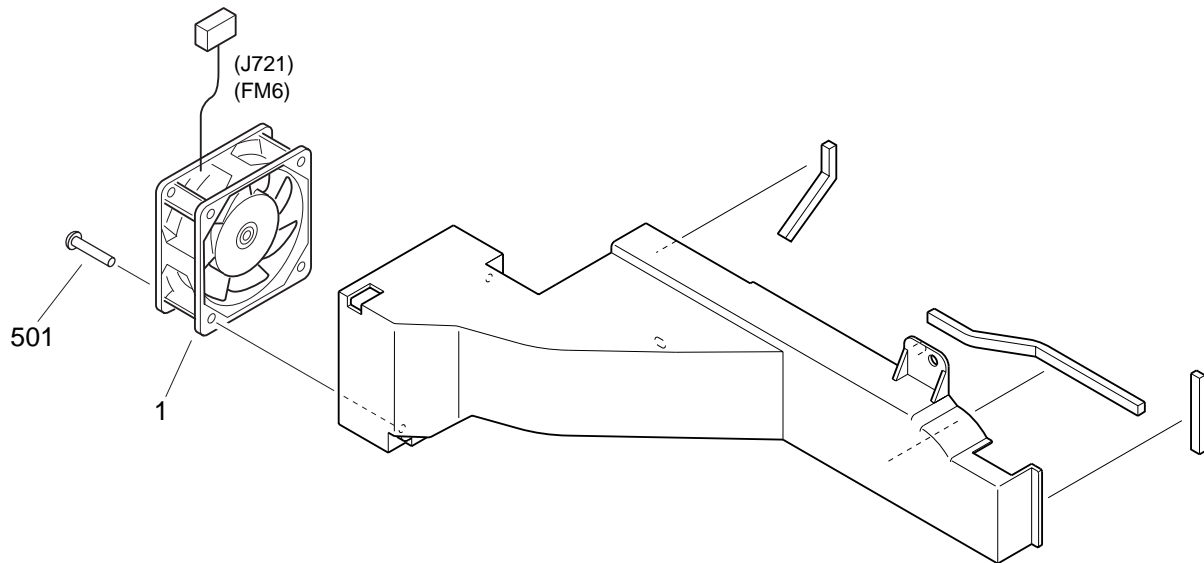


FIGURE & KEY NO.	PART NUMBER	RANK	QTY	DESCRIPTION	SERIAL NUMBER / REMARKS
194 -	FG6-9016-000		1	MULTI FAN ASSEMBLY	DUPLEX TYPE
1	FH6-1579-000		1	FAN	FM6 J721
501	XB4-5403-507		2	SCREW,P,M4X35	

FIGURE 251

DRUM DRIVE ASSEMBLY

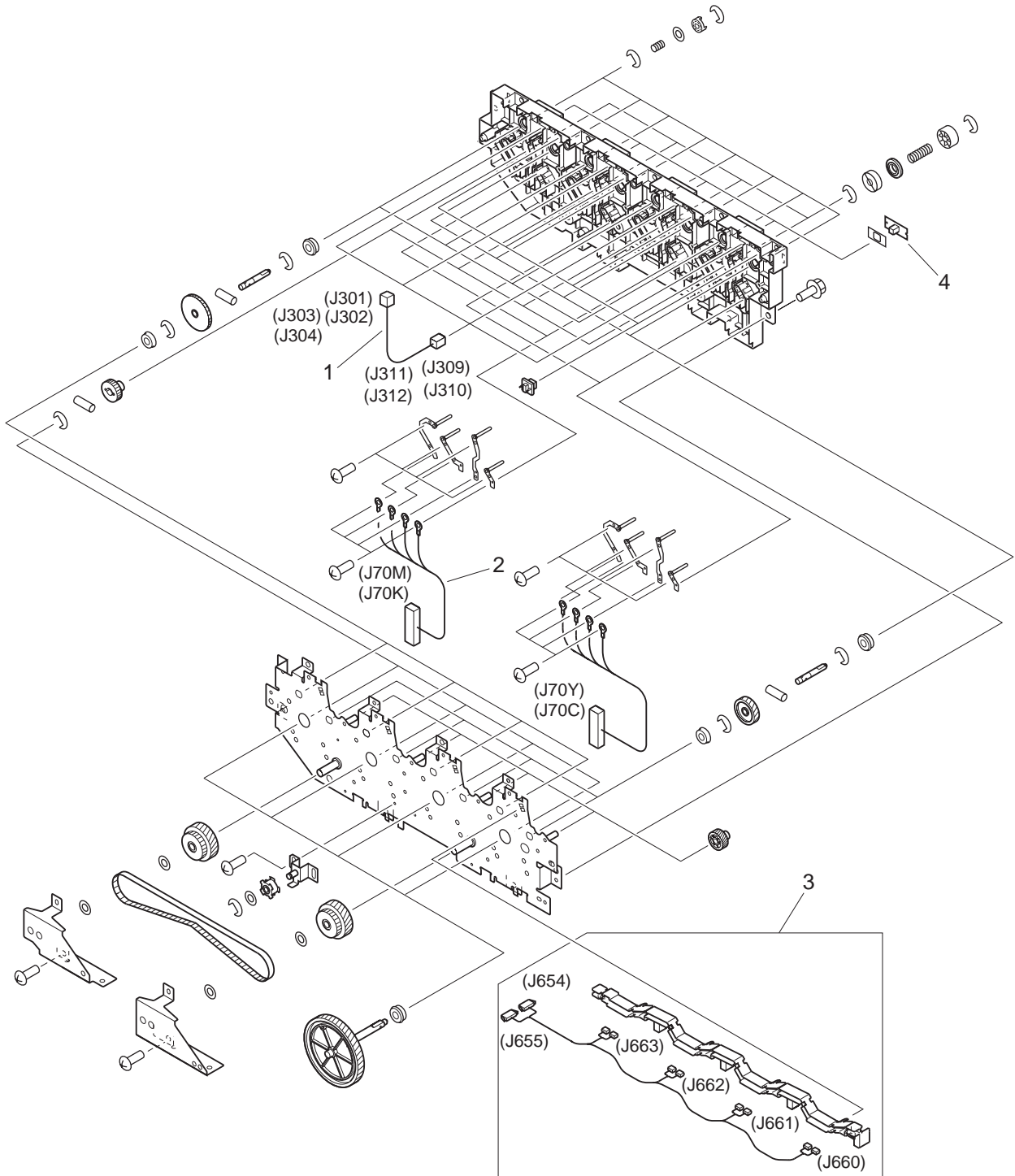


FIGURE 260 PICK-UP MOTOR DRIVE ASSEMBLY

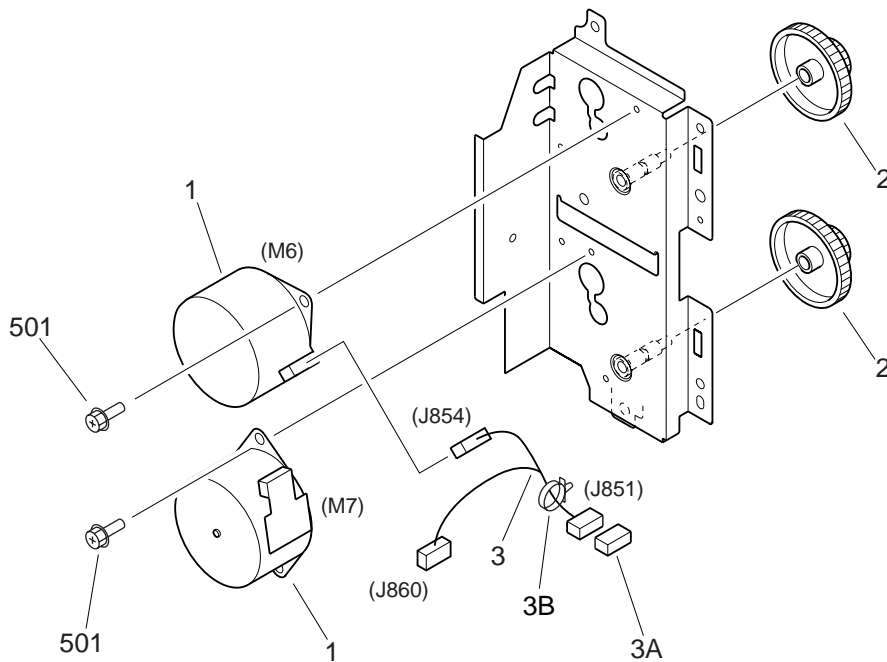


FIGURE & KEY NO.	PART NUMBER	RANK	QTY	DESCRIPTION	SERIAL NUMBER / REMARKS
260 -	FG6-9025-000		1	PICK-UP MOTOR DRIVE ASSEMBLY	
1	FH6-1972-000		2	MOTOR, STEPPING	M6,7 J854,860
2	FU3-0285-000		2	GEAR, 80T/16T	
3	FG3-2380-000		1	CABLE, PAPER PICK-UP DRIVE	J851,854,860
3A	VS1-5057-008		1	CONNECTOR, SNAP TIGHT	J851
3B	WT2-5565-000		1	CLAMP, CABLE	
501	XB3-6300-600		4	SCREW,RS,M3X6	

FIGURE 270 DEVELOPING DRIVE ASSEMBLY

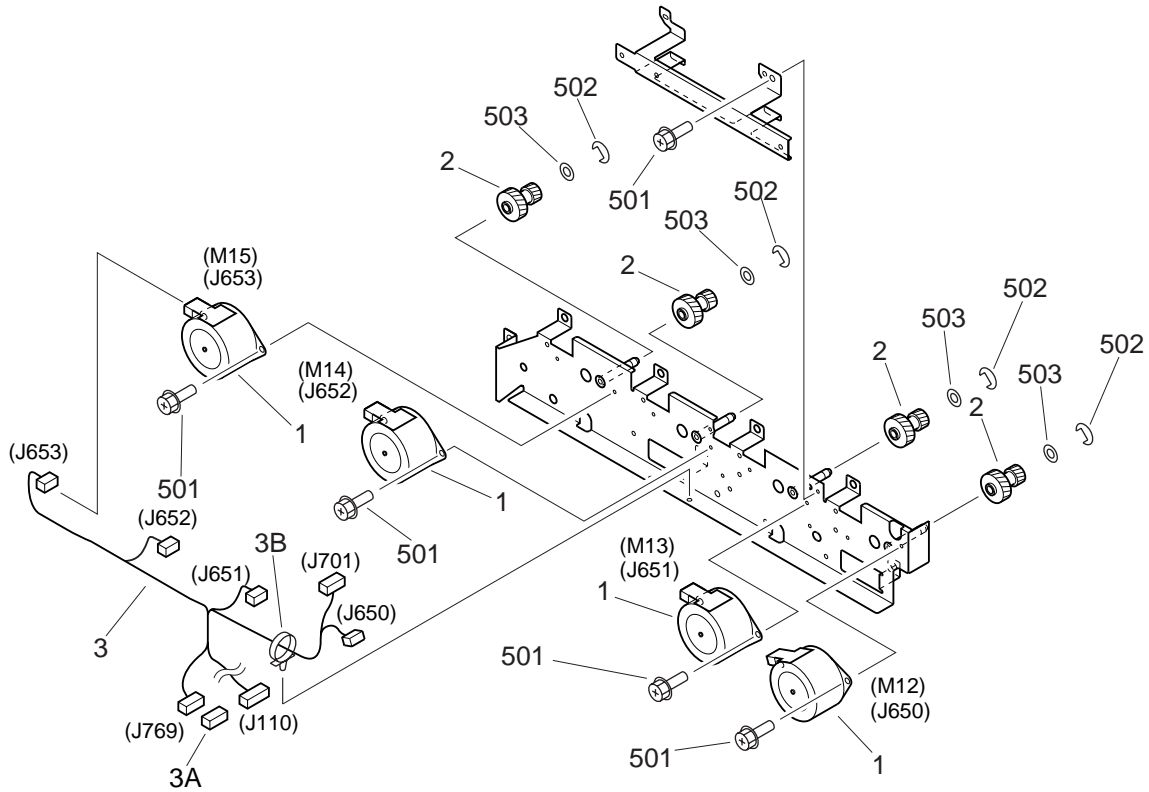


FIGURE & KEY NO.	PART NUMBER	RANK	QTY	DESCRIPTION	SERIAL NUMBER / REMARKS
270 -	FG6-9689-000		1	DEVELOPING DRIVE ASSEMBLY	100V
	FG6-8966-000		1	DEVELOPING DRIVE ASSEMBLY	120/220/240V
1	FH6-1973-000		4	MOTOR, STEPPING	M12-15 J650-653
2	FU3-0337-000		4	GEAR, 42T/27T	
3	FG3-2326-000		1	CABLE, DEVELOPING DRIVE	J110,650-653,701,769
3A	VS1-6318-008		1	CONNECTOR, SNAP TIGHT	J769
3B	WT2-5565-000		1	CLAMP, CABLE	
501	XB3-6300-800		12	SCREW,RS,M3X8	
502	XD2-1100-502		4	RING,E	
503	XD1-1106-212		4	SHIM	

FIGURE 271

INTERMEDIATE TRANSFER BELT DRIVE ASSEMBLY

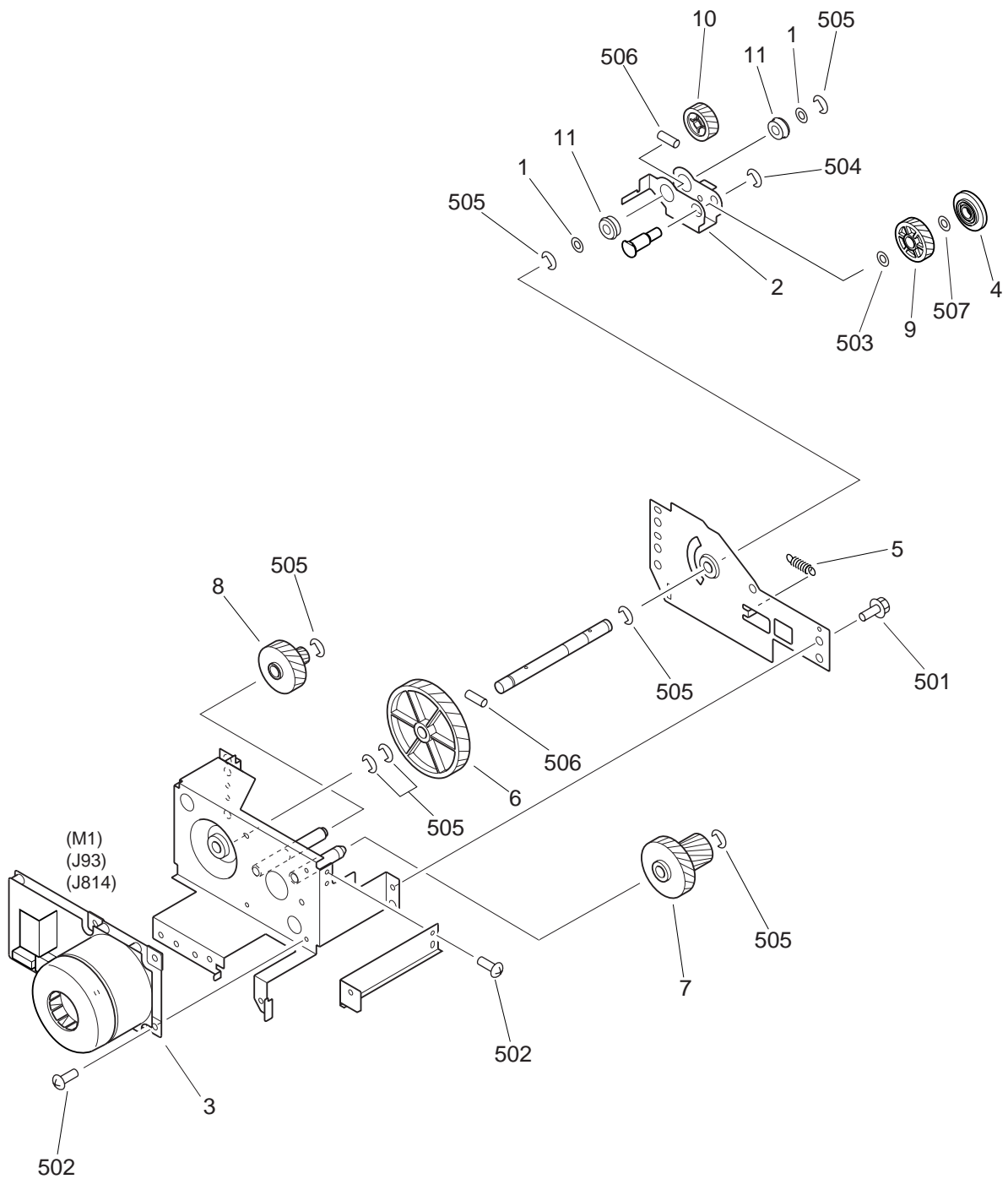


FIGURE & KEY NO.	PART NUMBER	RANK	QTY	DESCRIPTION	SERIAL NUMBER / REMARKS
271 -	FG6-8965-000		1	ITB DRIVE ASSEMBLY	
1	FB2-6285-000		2	SHIM	
2	FB6-3046-000		1	PLATE, ITB SWING	
3	FH6-1971-000		1	MOTOR, DC BRUSHLESS	M1 J93,814
4	FS5-6954-000		1	COLLAR	
5	FS7-2838-000		1	SPRING, TENSION	
6	FU3-0332-000		1	GEAR, 100T	
7	FU3-0333-000		1	GEAR, 30T/60T	
8	FU3-0334-000		1	GEAR, 20T/50T	
9	FU3-0335-000		1	GEAR, 42T	
10	FU3-0336-000		1	GEAR, 42T	
11	XG9-0264-000		2	BEARING, BALL	
501	XB3-6400-800		2	SCREW,RS,M4X8	
502	XB6-7300-607		5	SCREW,TP,M3X6	
503	XD1-1108-211		1	SHIM	
504	XD2-1100-502		1	RING,E	
505	XD2-1100-642		7	RING,E	
506	XD3-2200-182		2	PIN,DOWEL	
507	XD1-1109-221		1	SHIM	

FIGURE 272

TONER CARTRIDGE DRIVE ASSEMBLY

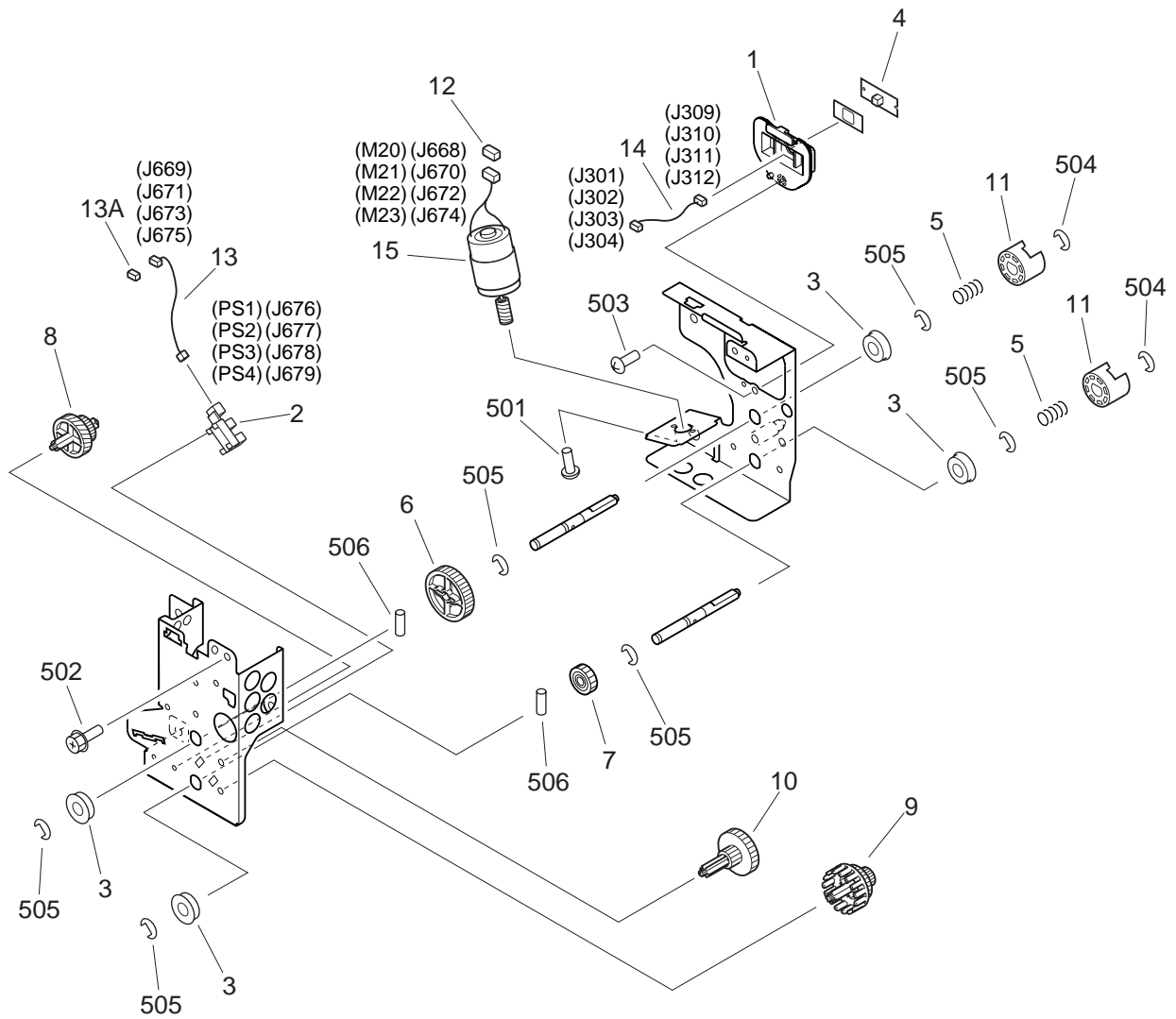


FIGURE & KEY NO.	PART NUMBER	RANK	QTY	DESCRIPTION	SERIAL NUMBER / REMARKS
272 -	FG6-8999-000		4	TONER CARTRIDGE DRIVE ASSEMBLY	
1	FB6-3163-000		1	MOUNT, ANTENNA	
2	FH7-7312-000		1	PHOTO-INTERRUPTER	PS1-4 J676-679
3	FS5-1581-000		4	BUSHING	
4	RG5-5469-000		1	CONNECTING PCB ASSEMBLY	
5	FS7-2825-000		2	SPRING, COMPRESSION	
6	FU3-0302-000		1	GEAR, 58T	
7	FU3-0303-000		1	GEAR, 30T	
8	FU3-0304-000		1	GEAR, 28T/53T	
9	FU3-0305-000		1	GEAR, 19T/38T	
10	FU3-0306-000		1	GEAR, 19T/49T	
11	RB2-7043-000		2	COUPLING	
12	VS1-5057-002		1	CONNECTOR, SNAP TIGHT	J668,670,672,674
13	FG3-2344-000		1	CABLE, TONER CARTRIDGE	J669,671,673,675 J676-679
13A	VS1-5057-003		1	CONNECTOR, SNAP TIGHT	J669,671,673,675
14	FG3-2372-000		1	CABLE, CONNECTING	J301-304 J309-312
15	FG6-9004-000		1	MOTOR, DC BRUSH	M20-23 J668,670,672,674
501	XB1-2260-407		2	SCREW BH 2.6X4	
502	XB3-6300-800		1	SCREW,RS,M3X8	
503	XB4-5300-807		1	SCREW,P,M3X5	
504	XD2-1100-322		2	RING,E	
505	XD2-1100-502		6	RING,E	
506	XD3-2200-142		2	PIN,DOWEL	

FIGURE 280 FIXING DRIVE ASSEMBLY

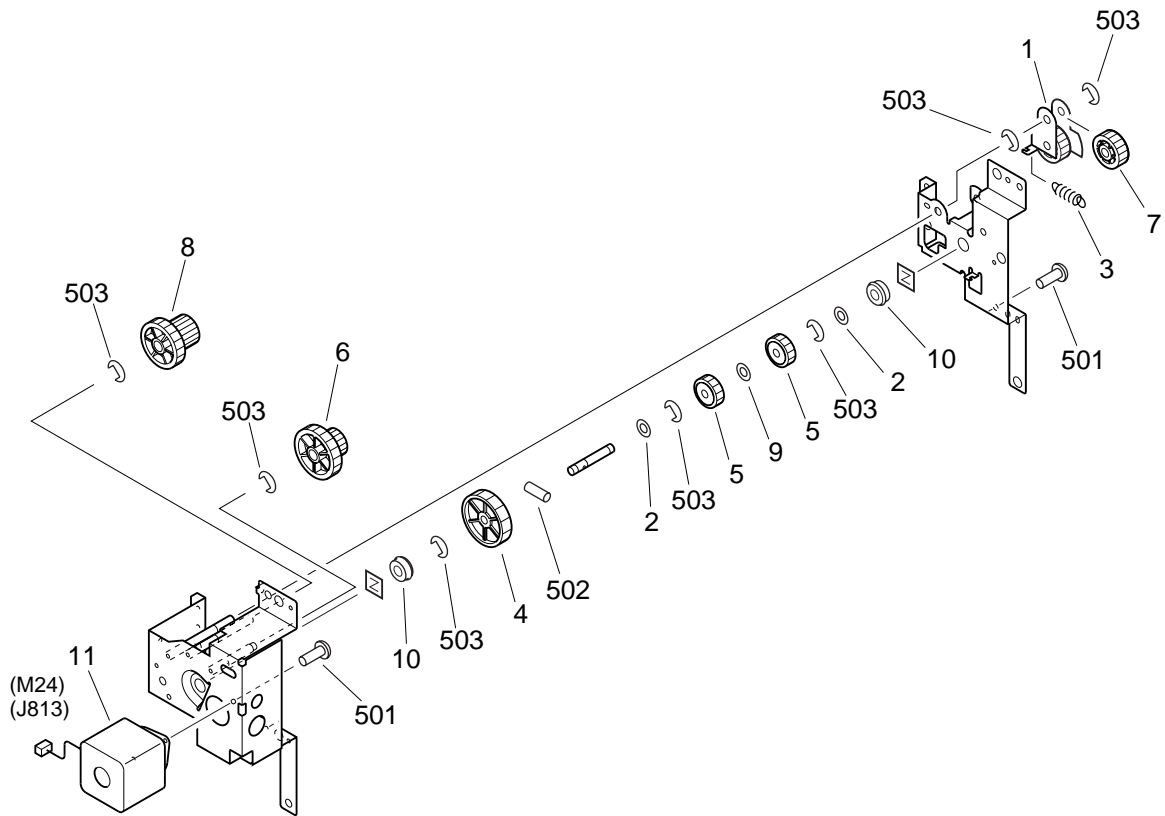
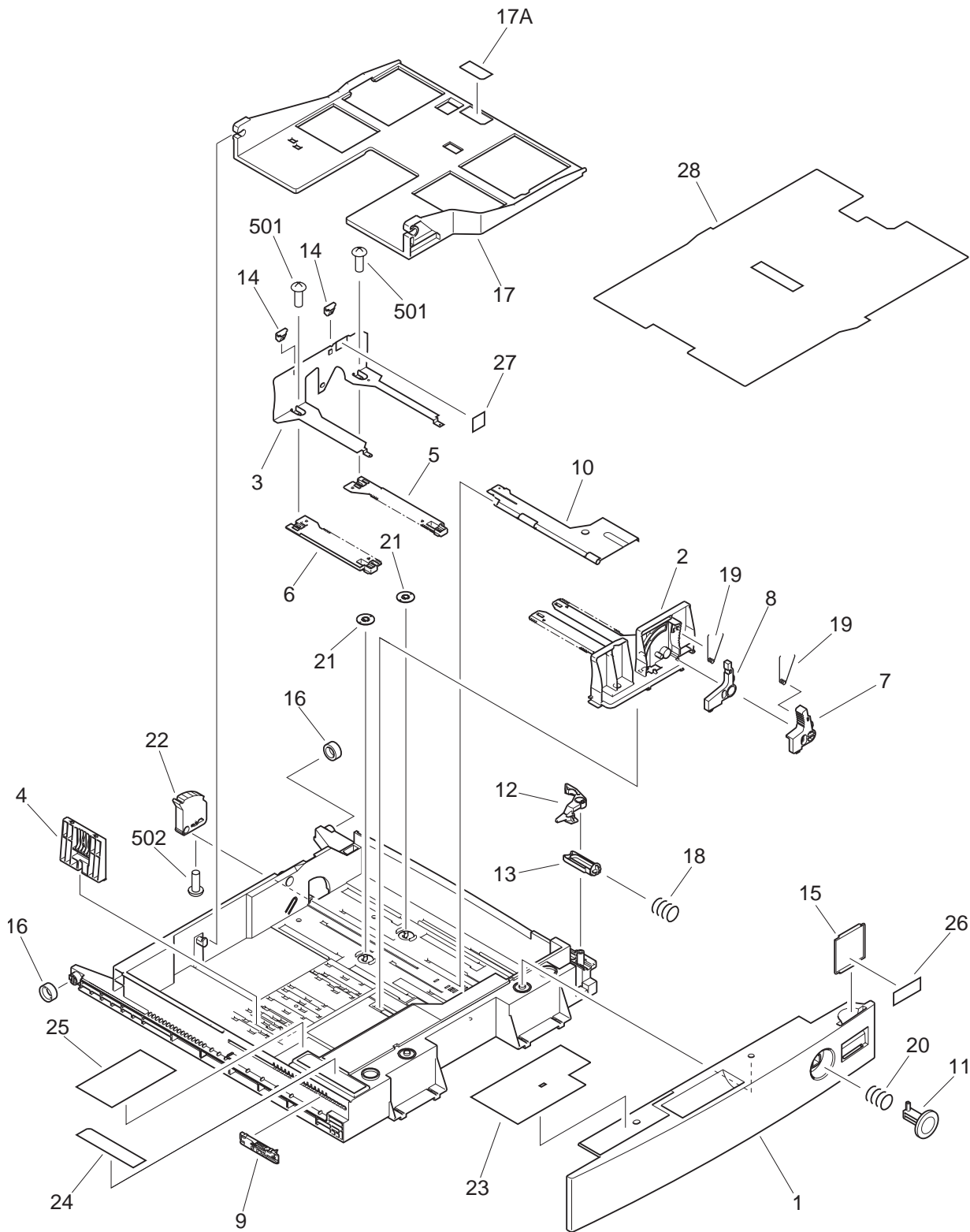


FIGURE & KEY NO.	PART NUMBER	RANK	QTY	DESCRIPTION	SERIAL NUMBER / REMARKS
280 -	FG6-9011-000		1	FIXING DRIVE ASSEMBLY	
1	FF6-2044-000		1	ARM, FIXING SWING	
2	FS5-6488-000		2	WASHER	
3	FS7-2835-000		1	SPRING, TENSION	
4	FU3-0338-000		1	GEAR, 72T	
5	FU3-0339-000		2	GEAR, 20T	
6	FU3-0340-000		1	GEAR, 36T/18T	
7	FU3-0341-000		1	GEAR, 23T	
8	FU3-0342-000		1	GEAR, 33T/20T	
9	FB6-3237-000		1	WASHER	
10	XG9-0407-000		2	BEARING, BALL, UGF106P12ZZD4ML	
11	FG6-9079-000		1	MOTOR, STEPPING	M24 J813
501	XB6-7300-607		5	SCREW, TP, M3X6	
502	XD3-2200-162		1	PIN, DOWEL	
503	XD2-1100-502		7	RING, E	

FIGURE 300 CASSETTE



NOTE : This assembly does not include the parts shown with key No. 26 and 28.

FIGURE & KEY NO.	PART NUMBER	RANK	QTY	DESCRIPTION	SERIAL NUMBER / REMARKS
300 -	FG6-9044-000		2	CASSETTE	
1	FB6-3475-000		1	PANEL, CASSETTE, FRONT	
2	FB6-3478-000		1	PLATE, SIDE GUIDE, FRONT	
3	FB6-3479-000		1	PLATE, SIDE GUIDE, REAR	
4	FB6-3480-000		1	PLATE, END GUIDE	
5	FB6-3481-000		1	RACK, 1	
6	FB6-3482-000		1	RACK, 2	
7	FB6-3483-000		1	KNOB, SIDE GUIDE PLATE, 1	
8	FB6-3484-000		1	KNOB, SIDE GUIDE PLATE, 2	
9	FB6-3485-000		1	COVER, PAPER SIZE SELECT	
10	FB6-3486-000		1	PLATE, LIFTER	
11	FB6-3487-000		1	BUTTON, PUSH	
12	FB6-3488-000		1	ARM, LOCK	
13	FB6-3489-000		1	LINK, RELEASE	
14	FB6-3490-000		2	CLAW, SIDE PLATE GUIDE	
15	FB6-3491-000		1	PLATE, CASSETTE PAPER SIZE	
16	FB6-3506-000		2	COLLAR, CASSETTE SWING	
17	FF6-2064-000		1	PLATE, PAPER LIFTING	
17A	FB6-3499-000		1	SHEET, SEPARATION	
18	FS7-2804-000		1	SPRING, COMPRESSION	
19	FS7-2805-000		2	SPRING, TORSION	
20	FS7-2806-000		1	SPRING, COMPRESSION	
21	FU3-0293-000		2	GEAR, 16T	
22	FU3-0294-000		1	GEAR, 7T	
23	FB6-3522-000		1	LABEL, PAPER SET	
24	FB6-3523-000		1	LABEL, CASSETTE SIZE	
25	FB6-3524-000		1	LABEL, PAPER SIZE SELECT	
26	FS7-8328-000		2	LABEL, CASSETTE SIZE	SEE NOTE
27	FS6-8116-000		1	LABEL, "PAPER HEIGHT"	
28	FB6-4891-000		1	SHEET, CASSETTE UNDER	SEE NOTE AB/A4 SIZE

FIGURE & KEY NO.	PART NUMBER	RANK	QTY	DESCRIPTION	SERIAL NUMBER / REMARKS
300 - 28	FB6-4892-000		1	SHEET, CASSETTE UNDER	SEE NOTE B4/B5 SIZE
	FB6-4893-000		1	SHEET, CASSETTE UNDER	SEE NOTE A4R SIZE
	FB6-4894-000		1	SHEET, CASSETTE UNDER	SEE NOTE B5R SIZE
	FB6-4895-000		1	SHEET, CASSETTE UNDER	SEE NOTE A5R SIZE
	FB6-4896-000		1	SHEET, CASSETTE UNDER	SEE NOTE 12X18 SIZE
	FB6-4897-000		1	SHEET, CASSETTE UNDER	SEE NOTE LDR/LTR SIZE
	FB6-4898-000		1	SHEET, CASSETTE UNDER	SEE NOTE LGL,LTR-R SIZE
501	XB2-8300-607		4	SCREW,W/WASHER,M3X6	
502	XB6-7300-807		1	SCREW,TP,M3X8	

FIGURE 305 CASSETTE HEATER ASSEMBLY (OPTION)

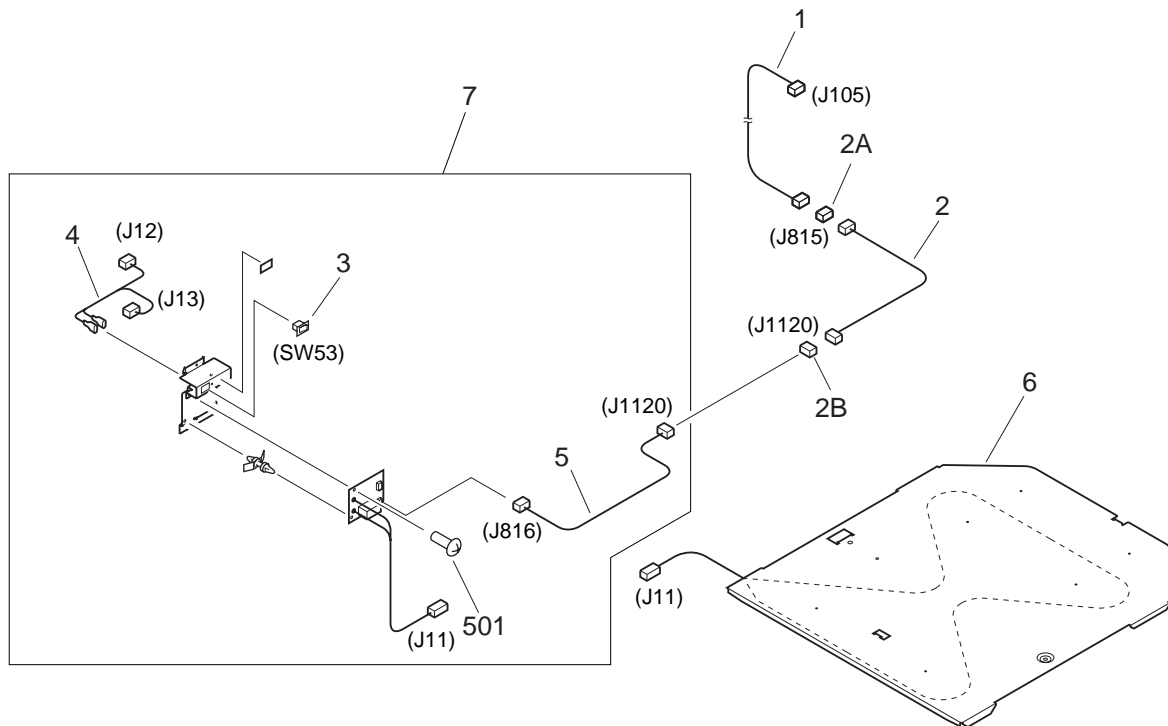


FIGURE & KEY NO.	PART NUMBER	RANK	QTY	DESCRIPTION	SERIAL NUMBER / REMARKS
305 -	NPN		RF	CASSETTE HEATER ASSEMBLY	OPTION 100/220/240V
1	FG3-2381-000		1	CABLE, MACHINE CASSETTE HEATER	100V J105,815
	FG3-2393-000		1	CABLE, MACHINE CASSETTE HEATER	220/240V J105,815
2	FG3-2395-000		1	CABLE, CASSETTE HEATER RELAY	J815,1120
2A	VS1-5057-002		1	CONNECTOR, SNAP TIGHT	J815
2B	VS1-5057-003		1	CONNECTOR, SNAP TIGHT	J1120
3	WC1-5129-000		1	SWITCH, ROCKER	SW53
4	FG3-2340-000		1	CABLE, CASSETTE HEATER SWITCH	100V J12,13
	FG3-2341-000		1	CABLE, CASSETTE HEATER SWITCH	220/240V J12,13
5	FG3-2342-000		1	CABLE, CASSETTE HEATER CONTROL	J816,1120
6	FH7-4740-000		1	HEATER, CASSETTE	100V J11
	FH7-4742-000		1	HEATER, CASSETTE	220/240V J11
7	FG6-9749-000		1	CASSETTE HEATER PCB ASSEMBLY	220/240V
501	XB1-2400-607		1	SCREW,MACH.,TRUSS HEAD,M4X6	

FIGURE 310

PAPER PICK-UP ASSEMBLY

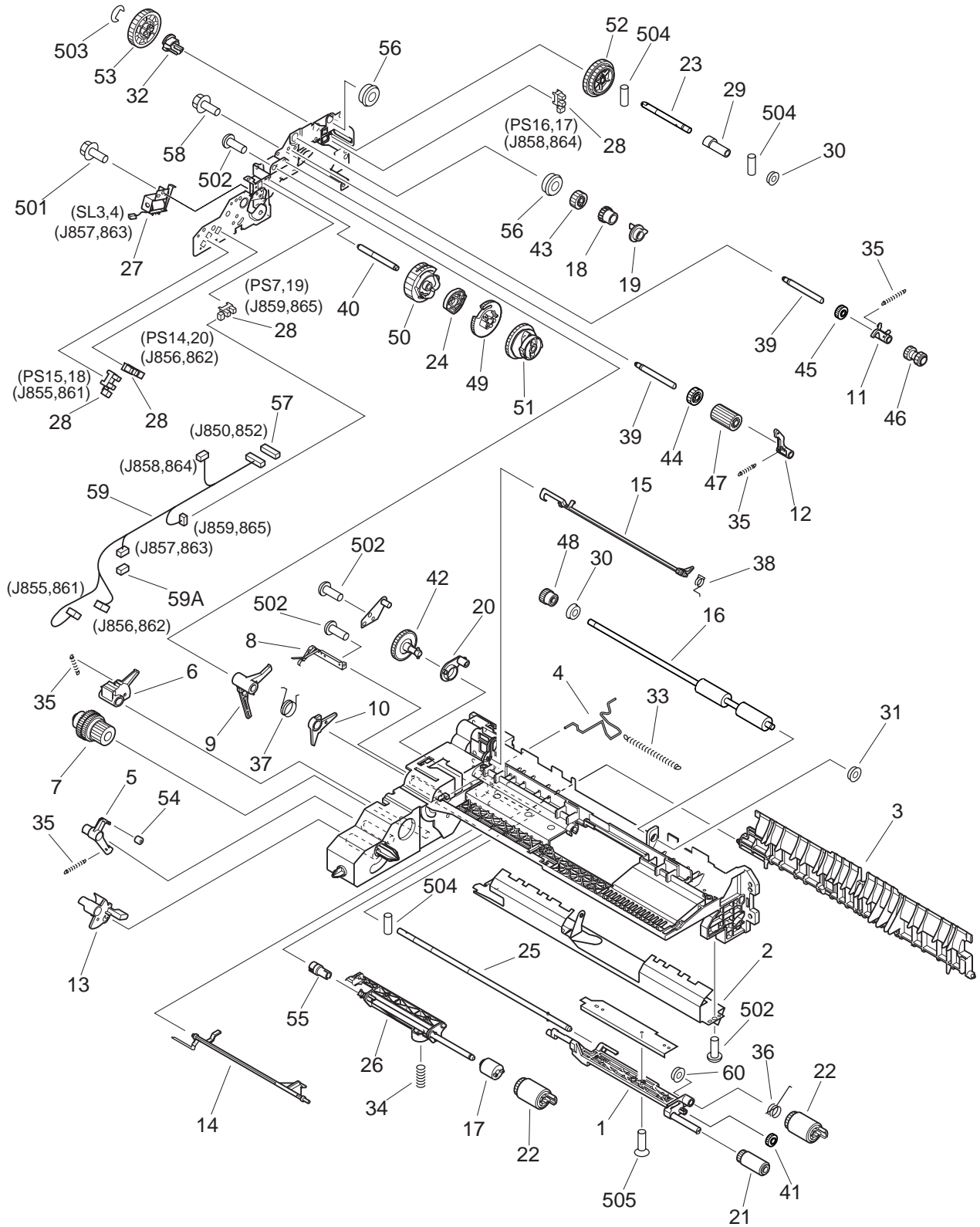
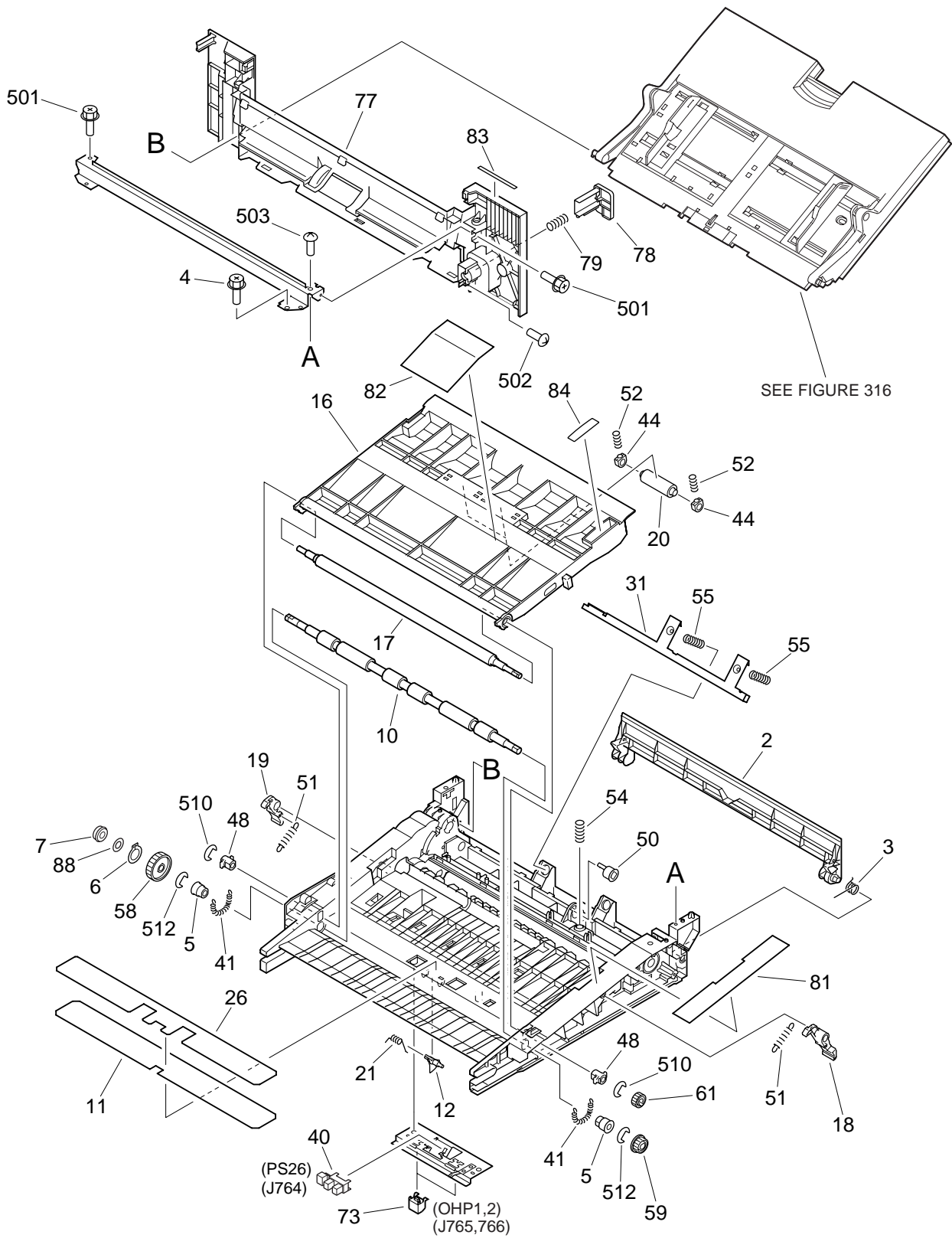


FIGURE & KEY NO.	PART NUMBER	RANK	QTY	DESCRIPTION	SERIAL NUMBER / REMARKS
310 -	FG6-9027-000		2	PAPER PICK-UP ASSEMBLY	
1	FB6-3380-000		1	HOLDER, PAPER PICK-UP ROLLER	
2	FB6-3386-000		1	GUIDE, RETARD	
3	FB6-3387-000		1	GUIDE, VERTICAL PATH	
4	FB6-3388-000		1	ROD, SEPARATION ROLLER RELEASE	
5	FB6-3389-000		1	CLAW, PICK-UP	
6	FB6-3390-000		1	CLAW, PAPER PICK-UP	
7	FB6-3391-000		1	GEAR, RATCHET	
8	FB6-3392-000		1	SPRING, LEAF	
9	FB6-3393-000		1	ARM, PICK-UP	
10	FB6-3394-000		1	ARM, LIFTING	
11	FB6-3395-000		1	ARM, PAPER FEED SHAFT	
12	FB6-3396-000		1	LOCK, PICK-UP	
13	FB6-3397-000		1	FLAG, PAPER SENSOR	
14	FB6-3398-000		1	FLAG, PAPER DETECT SENSOR	
15	FB6-3399-000		1	FLAG, REGISTRATION SENSOR	
16	FB6-4852-000		1	ROLLER, VERTICAL PATH	
17	FB6-3410-000		1	LIMITER, TORQUE	
18	FB6-3402-000		1	GEAR, RATCHET	
19	FB6-3403-000		1	COUPLING, FEED SHAFT STOP	
20	FB6-3404-000		1	COUPLING, SEPARATION SHAFT	
21	FB6-3405-000		1	ROLLER, PAPER PICK-UP	
22	FB6-3407-000		2	ROLLER, FEED/SEPARATION	
23	FB6-3408-000		1	SHAFT, PAPER PICK-UP DRIVE	
24	FB6-3411-000		1	CAM, LOCK	
25	FF6-2058-000		1	SHAFT, PAPER FEED ROLLER	
26	FF6-2059-000		1	HOLDER, SEPARATION ROLLER	
27	FH6-5055-000		1	SOLENOID	SL3,4 J857,863
28	FH7-7312-000		4	PHOTO-INTERRUPTER	PS7,14-20 J859,856,855,858 J864,861,865,862

FIGURE & KEY NO.	PART NUMBER	RANK	QTY	DESCRIPTION	SERIAL NUMBER / REMARKS
310 - 29	FB6-3413-000		1	COLLAR, PAPER PICK-UP SHAFT	
30	FS1-1205-000		2	BUSHING	
31	FS5-1597-000		1	BUSHING	
32	FS6-1063-000		1	BUSHING	
33	FS7-2797-000		1	SPRING, TENSION	
34	FS7-2798-000		1	SPRING, COMPRESSION	
35	FS7-2800-000		4	SPRING, TENSION	
36	FS7-2801-000		1	SPRING, TORSION	
37	FS7-2802-000		1	SPRING, TORSION	
38	FS7-2803-000		1	SPRING, TORSION	
39	FS7-5909-000		2	SHAFT, IDLER, 2	
40	FS7-5910-000		1	SHAFT, IDLER, 3	
41	FU3-0280-000		1	GEAR, 15T	
42	FU3-0349-000		1	GEAR, 41T	
43	FU3-0282-000		1	GEAR, 21T	
44	FU3-0283-000		1	GEAR, 21T	
45	FU3-0284-000		1	GEAR, 16T	
46	FU3-0352-000		1	GEAR, 16T/16T	
47	FU3-0288-000		1	GEAR, 21T	
48	FU3-0289-000		1	GEAR, 14T	
49	FU3-0290-000		1	GEAR, 46T	
50	FU3-0291-000		1	GEAR, 51T	
51	FU3-0292-000		1	GEAR, 42T	
52	FU3-0350-000		1	GEAR, 41T/41T	
53	FU3-0347-000		1	GEAR, 41T	
54	RB1-6539-000		1	DAMPER	
55	RB1-8945-000		1	JOINT	
56	RS5-1567-000		2	BUSHING	
57	VS1-6318-014		1	CONNECTOR, SNAP TIGHT	J850,852
58	XA9-0656-000		1	SCREW,RS,M3X10	

FIGURE 315 MULTI FEED ASSEMBLY (1/2)



NOTE : This assembly includes the assembly shown in Figure 316.

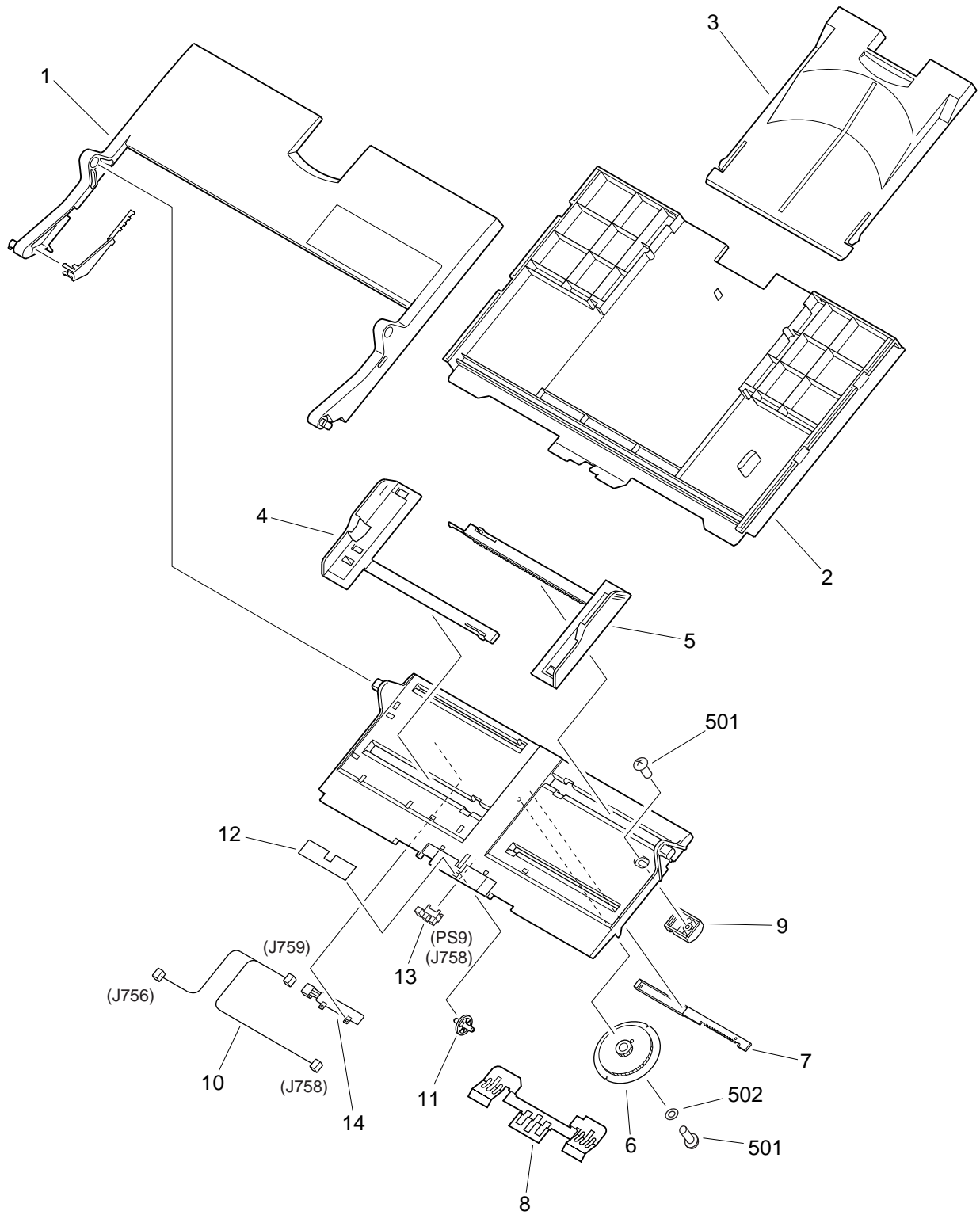
FIGURE & KEY NO.	PART NUMBER	RANK	QTY	DESCRIPTION	SERIAL NUMBER / REMARKS
315 -	FG6-9696-000		1	MULTI FEED ASSEMBLY	PLAIN TYPE 100V SEE NOTE
	FG6-9080-000		1	MULTI FEED ASSEMBLY	PLAIN TYPE 120/220/240V SEE NOTE
	FG6-9697-000		1	MULTI FEED ASSEMBLY	DUPLEX TYPE 100V
	FG6-9081-000		1	MULTI FEED ASSEMBLY	SEE NOTE DUPLEX TYPE 120/220/240V SEE NOTE
1	FB6-3314-000		1	DUCT, CORD	
2	FB6-3472-000		1	PANEL, BLANKING	
3	FS7-2811-000		1	SPRING, TORSION	
4	XA9-0721-000		2	SCREW,RS,M4X10	
5	FA1-0056-000		2	BUSHING	
6	FA4-1159-000		1	RING, RETAINING	
7	XG9-0211-000		2	BALL BEARING, MF128ZZ1MC3D4M	
8	FB1-8581-000		1	ROLLER, PAPER PICK-UP	
9	FB5-0873-000		1	ROLLER, SEPARATION	
10	FB6-4849-000		1	ROLLER, REGISTRATION, LOWER	
11	FB6-3302-000		1	SHEET, REGISTRATION, LOWER	
12	FB6-3303-000		1	FLAG, REGISTRATION SENSOR	
13	FB6-4850-000		1	ROLLER, REGISTRATION, FRONT	
14	FB6-3305-000		1	PLATE, GROUNDING	
15	FB6-3306-000		1	GUIDE, INLET	
16	FB6-3308-000		1	GUIDE, REGISTRATION, UPPER	
17	FB6-3309-000		1	ROLLER, REGISTRATION, UPPER	
18	FB6-3310-000		1	LEVER, PRESSURE, FRONT	
19	FB6-3311-000		1	LEVER, PRESSURE, REAR	
20	FB6-3313-000		2	ROLLER, PAPER FEED	
21	FB6-3315-000		1	SPRING, TORSION	
22	FB6-3320-000		1	GUIDE, DUPLEXING, EXTERNAL	DUPLEX TYPE

FIGURE & KEY NO.	PART NUMBER	RANK	QTY	DESCRIPTION	SERIAL NUMBER / REMARKS
315 - 23	FB6-4851-000		1	ROLLER, RE-PICK UP	DUPLEX TYPE
24	FB6-3323-000		1	GUIDE, DUPLEXING, INTERNAL	DUPLEX TYPE
25	FB6-4873-000		2	ROLLER, PAPER FEED	DUPLEX TYPE
26	FB6-3317-000		1	SHEET, REGISTRATION, LOWER	
27	FB6-3410-000		1	LIMITER, TORQUE	
28	FF6-2136-000		1	SHAFT, ROLLER	
29	FB6-3463-000		1	CLUTCH	
30	FB6-3464-000		1	HOLDER, SEPARATION ROLLER	
31	FB6-3465-000		1	ARM, LIFTING PLATE PRESSURE	
32	FB6-3466-000		1	CAM, JOINT	
33	FB6-3467-000		1	GEAR, 27T	
34	FF6-2134-000		1	GUIDE, MAIN	
34A	FB6-3878-000		2	SHEET, PUSH-ON	
35	FB6-3470-000		2	GUIDE, SUB	
36	FB6-3471-000		1	FLAG, PAPER SENSOR	
37	FF6-2065-000		1	SHAFT, SEPARATION ROLLER	
38	FH6-1973-000		2	MOTOR, STEPPING	M8,9 J763,761
39	FH6-5053-000		1	SOLENOID	SL1 J762
40	FH7-7312-000		2	PHOTO-INTERRUPTER	PS10,26 J760,764
41	FS2-2783-000		2	SPRING, TENSION	
42	FS5-1209-000		1	BUSHING	
43	FS1-1512-000		2	BUSHING	DUPLEX TYPE
44	FS5-1595-000		4	BLOCK, ROLLER	
45	FS5-1595-000		2	BLOCK, ROLLER	DUPLEX TYPE
46	FS5-1597-000		1	BUSHING	
47	FS5-6945-000		2	COLLAR, REGISTRATION MULTI	
48	FS6-1055-000		2	BUSHING	
49	FS6-1057-000		1	BUSHING	DUPLEX TYPE
50	FS6-1058-000		1	BUSHING	
51	FS7-2787-000		2	SPRING, TENSION	

FIGURE & KEY NO.	PART NUMBER	RANK	QTY	DESCRIPTION	SERIAL NUMBER / REMARKS
315 - 52	FS7-2860-000		4	SPRING, COMPRESSION	
53	FS7-2860-000		2	SPRING, COMPRESSION	DUPLEX TYPE
54	FS7-2809-000		1	SPRING, COMPRESSION	
55	FS7-2810-000		2	SPRING, COMPRESSION	
56	FS7-2812-000		1	SPRING, TORSION	
57	FS7-2839-000		1	SPRING, COMPRESSION	
58	FU3-0270-000		1	GEAR, 63T	
59	FU3-0271-000		1	GEAR, 32T	
60	FU3-0272-000		1	GEAR, 23T/75T	
61	FU3-0273-000		1	GEAR, 28T	
62	FU3-0274-000		1	GEAR, 43T/31T	
63	FU3-0275-000		1	GEAR, 39T/26T	
64	FU3-0276-000		1	GEAR, 25T	
65	FU3-0277-000		2	GEAR, 16T	DUPLEX TYPE
66	FU3-0278-000		2	GEAR, 23T	DUPLEX TYPE
67	FU3-0295-000		1	GEAR, 44T	
68	FU3-0296-000		2	GEAR, 24T	
69	FU3-0297-000		1	GEAR, 36T	
70	FU3-0298-000		1	GEAR, 27T/18T	
71	RB1-2152-000		1	ROLLER, ARM	
72	RB2-5850-000		2	PRISM	
73	RH7-7129-000		2	OHT SENSOR UNIT	OHP1,2 J765,766
74	RS5-1567-000		1	BUSHING	
75	FG3-2303-000		1	CABLE, REGIST. MULTI, 1	J755-757,761-766
75A	VS1-5057-002		1	CONNECTOR, SNAP TIGHT	J762
75B	VS1-5057-006		1	CONNECTOR, SNAP TIGHT	J756
76	FG3-2304-000		1	CABLE, REGIST. MULTI, 2	J757,760
76A	VS1-5057-003		1	CONNECTOR, SNAP TIGHT	J757
77	FB6-3473-000		1	PANEL, REGIST. MULTI, RIGHT	
78	FB6-3474-000		1	BUTTON, REGIST. MULTI PUSH	

FIGURE & KEY NO.	PART NUMBER	RANK	QTY	DESCRIPTION	SERIAL NUMBER / REMARKS
315 - 79	FS7-2813-000		1	SPRING, COMPRESSION	
80	FB6-4938-000		1	PLATE, SHEET SUPPORT	
81	FB6-3858-000		1	LABEL, SAFETY OPERATION	
82	FB6-3859-000		1	LABEL, JAM PAPER	
83	FB6-3863-000		1	LABEL, MULTI HANDLE	
84	FB6-3864-000		1	LABEL, GUIDE HANDLE	
85	FB6-4863-000		1	HOLDER, CONNECTOR	
86	FS5-9761-000		2	SCREW, STEPPED, M3	
87	FS7-2863-000		2	SPRING, COMPRESSION	
88	FB2-6285-000		2	SHIM	
501	XB3-6300-800		2	SCREW, RS, M3X8	
502	XB4-5301-007		1	SCREW, P, M3X10	
503	XB4-5401-007		1	SCREW, P, M4X10	
504	XB2-8400-807		1	SCREW, W/WASHER, M4X8	
505	XB2-8400-807		1	SCREW, W/WASHER, M4X8	DUPLEX TYPE
506	XB3-6300-800		6	SCREW, RS, M3X8	
507	XB3-6300-800		3	SCREW, RS, M3X8	DUPLEX TYPE
508	XB4-5400-807		7	SCREW, P, M4X8	
509	XB4-5400-807		2	SCREW, P, M4X8	DUPLEX TYPE
510	XD2-1100-502		2	RING, E	
511	XD2-1100-502		4	RING, E	DUPLEX TYPE
512	XD2-1100-642		4	RING, E	
513	XD3-2200-102		2	PIN, DOWEL	DUPLEX TYPE
514	XB2-8401-007		2	SCREW, W/WASHER, M4X10	
515	XD3-2200-142		1	PIN, DOWEL	
516	XD2-1100-282		2	RING, E	DUPLEX TYPE

FIGURE 316 MULTI FEED TRAY ASSEMBLY



NOTE : This assembly is included in the assembly shown in Figure 315.

FIGURE & KEY NO.	PART NUMBER	RANK	QTY	DESCRIPTION	SERIAL NUMBER / REMARKS
316 -	FG6-9042-000		1	MULTI FEED TRAY ASSEMBLY	SEE NOTE
1	FB6-3450-000		1	TRAY, MULTI FEEDER, UPPER	
2	FB6-3451-000		1	TRAY, MULTI FEEDER, LOWER	
3	FB6-3452-000		1	TRAY, SECOND	
4	FB6-3454-000		1	RACK, SIDE PLATE, REAR	
5	FB6-3455-000		1	RACK, SIDE PLATE, FRONT	
6	FB6-3456-000		1	GEAR, 46T/20T	
7	FB6-3457-000		1	RACK	
8	FB6-3458-000		1	SPRING, LEAF	
9	FB6-3459-000		1	BLOCK, SIDE REGIST. ADJUSTING	
10	FG3-2301-000		1	CABLE, MULTI TRAY	J756,758,759
11	FB6-3508-000		1	ROLLER, PAPER DETECT	
12	FB6-4937-000		1	SHEET, SEPARATION	
13	FH7-7312-000		1	PHOTO-INTERRUPTER	PS9 J758
14	FH7-7600-000		1	SLIDE VOLUME SENSOR UNIT	J759
501	XB4-5400-807		2	SCREW,P,M4X8	
502	XD1-1106-235		1	SHIM	

FIGURE 321 PATTERN READER ASSEMBLY

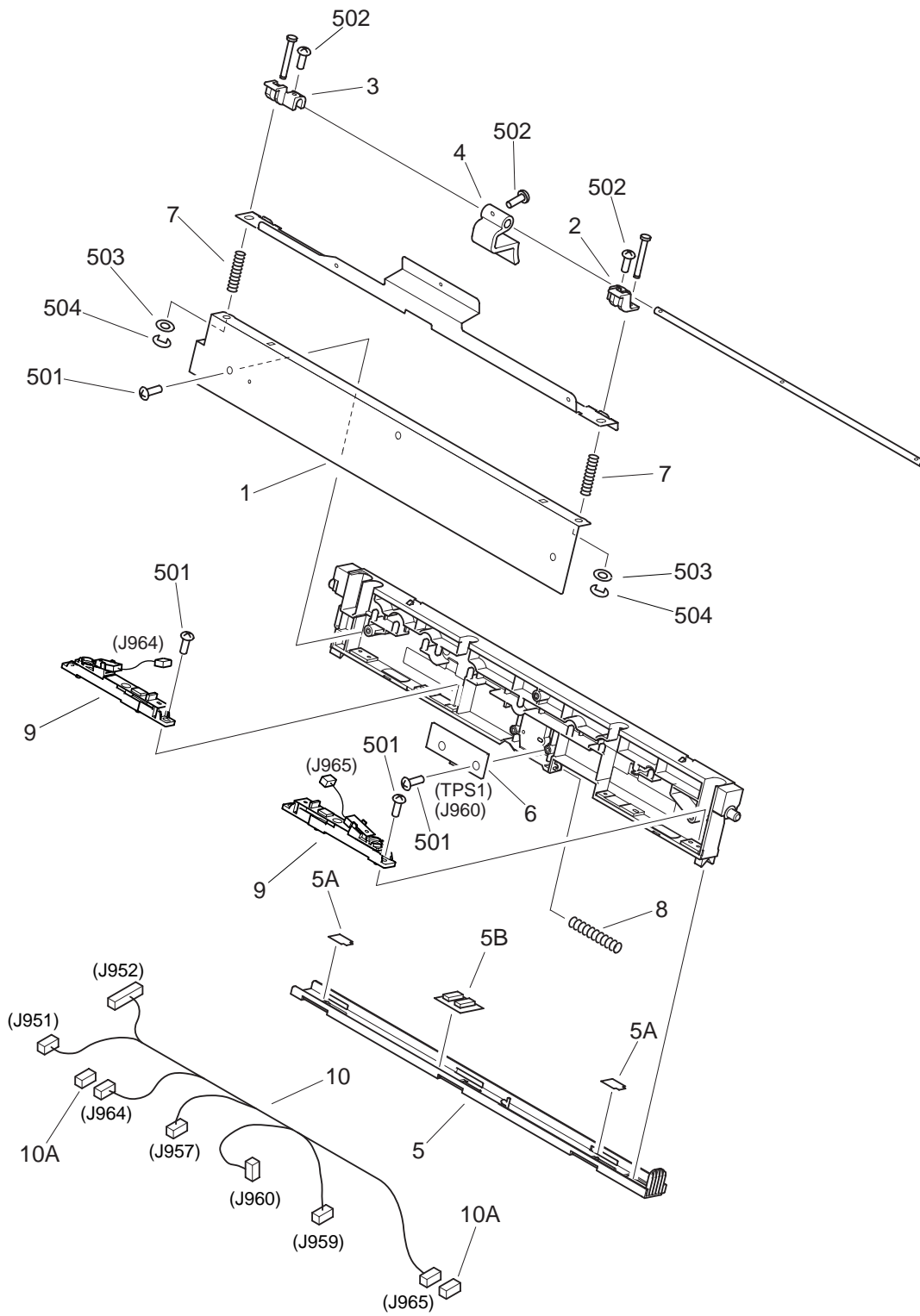


FIGURE & KEY NO.	PART NUMBER	RANK	QTY	DESCRIPTION	SERIAL NUMBER / REMARKS
321 -	FG6-8960-000		1	PATTERN READER ASSEMBLY	
1	FB6-3273-000		1	COVER, REGISTRATION SENSOR	
2	FB6-3291-000		1	CAM, RELEASE, 1	
3	FB6-3292-000		1	CAM, RELEASE, 2	
4	FB6-3293-000		1	LEVER, RELEASE	
5	FF6-2046-000		1	HOLDER, CLEANING	
5A	FB6-3275-000		2	PAD UNIT, CLEANING	
5B	RB2-6925-000		1	BRUSH, CLEANING	
6	FH7-7601-000		1	SALT SENSOR UNIT	TPS1 J960
7	FS7-2850-000		2	SPRING, COMPRESSION	
8	FS7-2851-000		1	SPRING, COMPRESSION	
9	FG3-2315-000		2	REGIST. SENSOR PCB ASSEMBLY	J964,965
10	FG3-2318-000		1	CABLE, REGIST. PAPER DETECT	J951,952,957,959,960 J964,965
10A	VS1-6318-003		2	CONNECTOR, SNAP TIGHT	J964,965
501	XB4-5300-807		9	SCREW,P,M3X5	
502	XB6-7300-607		3	SCREW,TP,M3X6	
503	XD1-1104-135		2	SHIM	
504	XD2-1100-322		2	RING,E	

FIGURE 330

FIXING FEEDER ASSEMBLY (PLAIN TYPE)

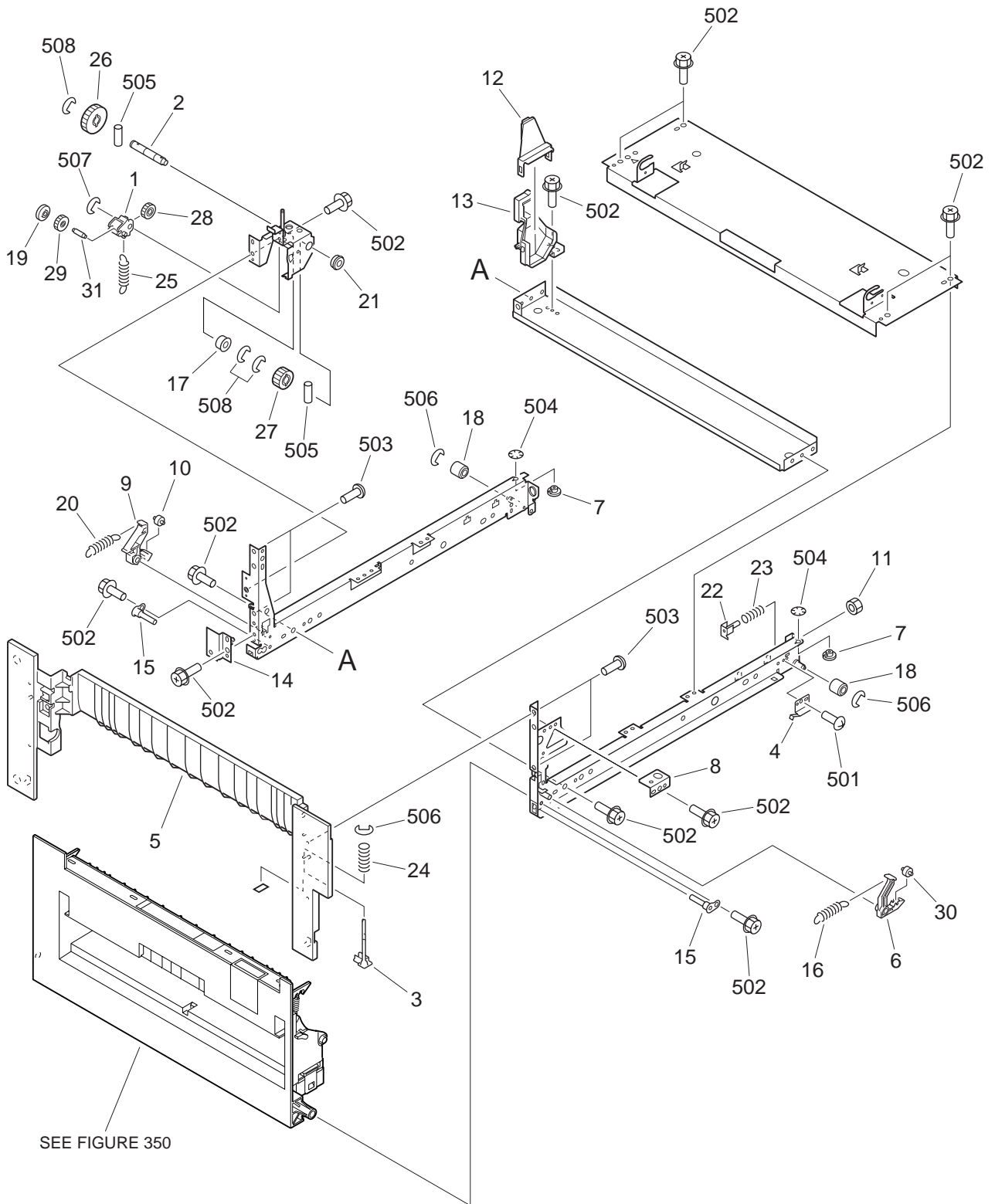


FIGURE & KEY NO.	PART NUMBER	RANK	QTY	DESCRIPTION	SERIAL NUMBER / REMARKS
330 -	NPN		RF	FIXING FEEDER ASSEMBLY	PLAIN TYPE
1	FB6-3579-000		1	ARM, SWING	
2	FB6-3588-000		1	SHAFT, IDLER GEAR, 1	
3	FB6-3600-000		1	PIN, ADJUSTMENT	
4	FB6-3638-000		1	PLATE, GROUNDING	
5	FB6-3683-000		1	COVER, PAPER FEED	
6	FB6-3684-000		1	LEVER, CLICK, FRONT	
7	FB6-3686-000		2	PIN, SLIDE	
8	FB6-3698-000		1	PLATE, FIXING POSITIONING	
9	FB6-4908-000		1	LEVER, CLICK, REAR	
10	FB6-4918-000		1	ROLLER, LEVER, REAR	
11	XA9-1412-000		1	NUT,HEX,M5	
12	FB6-3694-000		1	DUCT, CONNECTING, UPPER	
13	FB6-3695-000		1	DUCT, CONNECTING, LOWER	
14	FF6-2079-000		1	PLATE, POSITIONING	
15	FF6-2081-000		2	SHAFT, DELIVERY OPEN/CLOSE	
16	FS7-2862-000		1	SPRING, TENSION	
17	FS1-1465-000		1	BUSHING	
18	FS5-6948-000		2	COLLAR, RAIL	
19	FS5-6950-000		1	COLLAR	
20	FS7-2818-000		1	SPRING, TENSION	
21	XG9-0479-000		1	BEARING, BALL	
22	FF6-2143-000		1	PLATE, ADJUSTMENT	
23	FS7-2861-000		1	SPRING, COMPRESSION	
24	FS7-2822-000		1	SPRING, COMPRESSION	
25	FS7-2829-000		1	SPRING, TENSION	
26	FU3-0312-000		1	GEAR, 30T	
27	FU3-0313-000		1	GEAR, 20T	
28	FU3-0314-000		1	GEAR, 15T	
29	FU3-0315-000		1	GEAR, 15T	

FIGURE 350 FACE-UP DELIVERY ASSEMBLY (PLAIN TYPE)

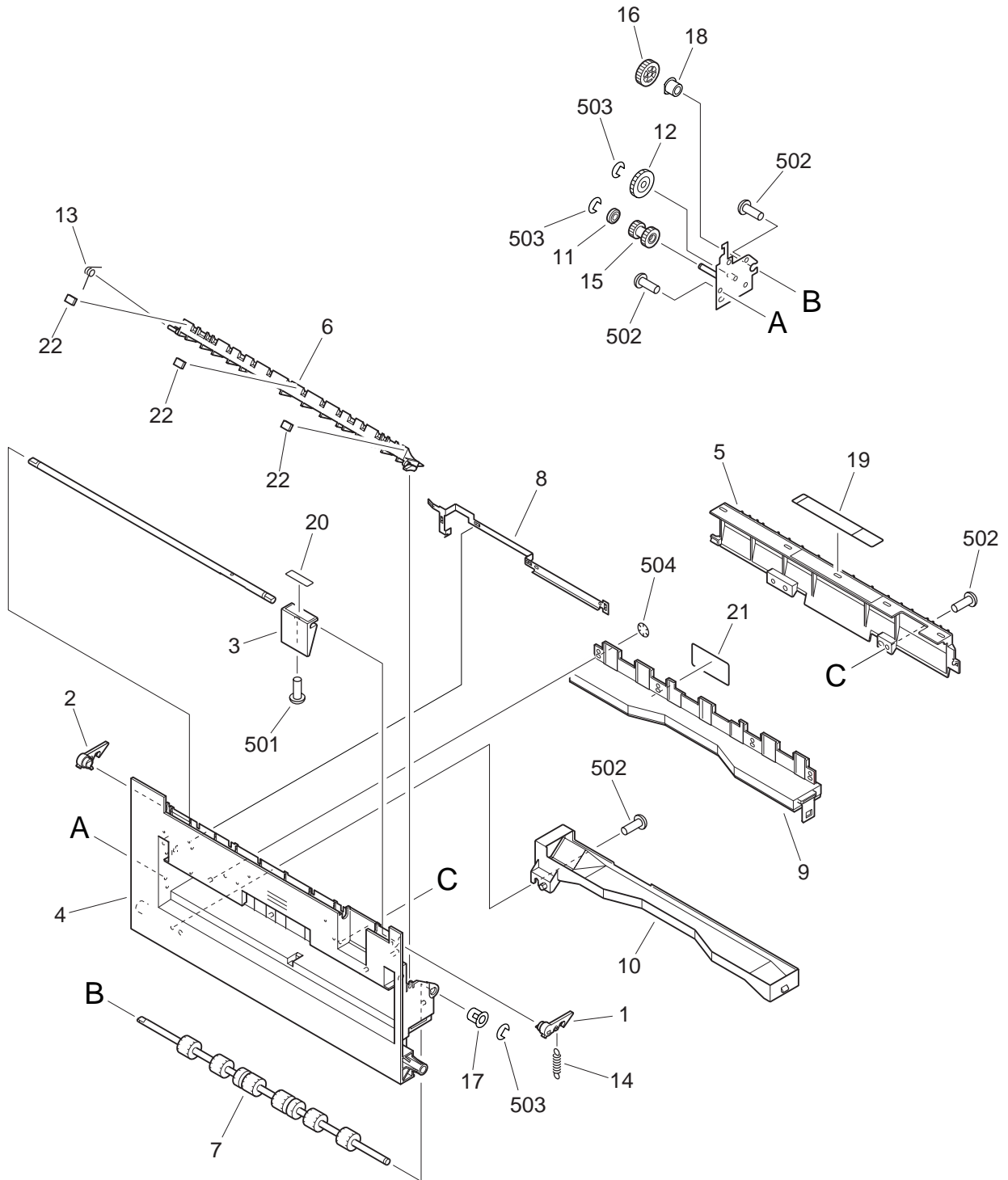


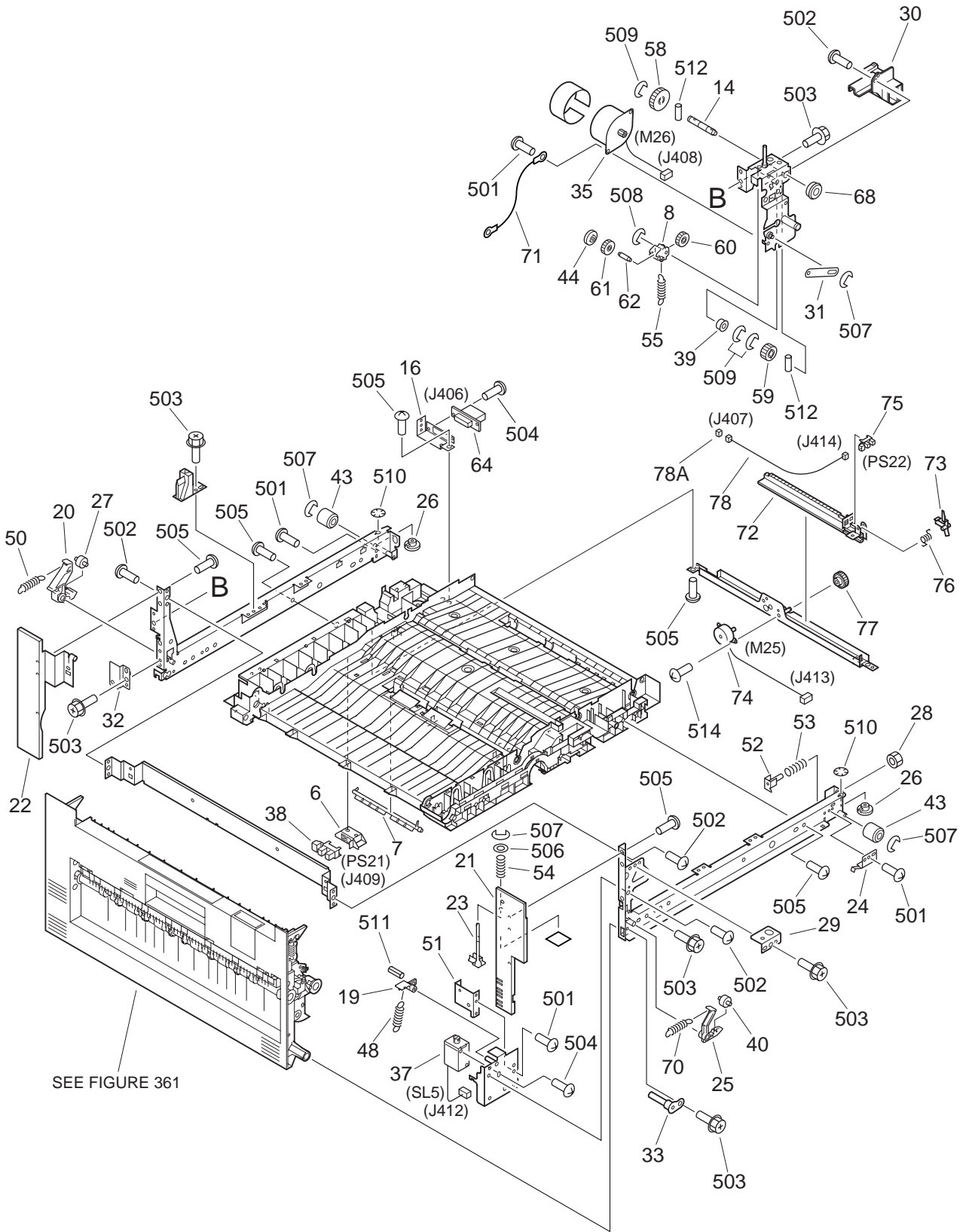
FIGURE & KEY NO.	PART NUMBER	RANK	QTY	DESCRIPTION	SERIAL NUMBER / REMARKS
350 -	FG6-9695-000		1	FACE-UP DELIVERY ASSEMBLY	PLAIN TYPE 100V
	FG6-9068-000		1	FACE-UP DELIVERY ASSEMBLY	PLAIN TYPE 120/220/240V
	1	FB6-3610-000		1	HOOK, DELIVERY, FRONT
2	FB6-3611-000		1	HOOK, DELIVERY, REAR	
3	FB6-3612-000		1	KNOB, DELIVERY	
4	FB6-3700-000		1	PANEL, DELIVERY	
5	FB6-3702-000		1	GUIDE, FIXING DELIVERY	
6	FB6-3703-000		1	DEFLECTOR, FACE-UP	
7	FB6-3935-000		1	ROLLER, DELIVERY	
8	FB6-3705-000		1	PLATE, GROUNDING	
9	FB6-3706-000		1	DUCT, DELIVERY, UPPER	
10	FB6-3707-000		1	DUCT, DELIVERY, LOWER	
11	FS5-6946-000		1	ROLLER, 2	
12	FS7-0128-000		1	GEAR, 32T	
13	FS7-2823-000		1	SPRING, TORSION	
14	FS7-2828-000		1	SPRING, TENSION	
15	FU3-0301-000		1	GEAR, 16T/13T	
16	FU3-0317-000		1	GEAR, 21T	
17	RS5-1060-000		1	BUSHING	
18	RS5-1325-000		1	BUSHING, CONDUCTIVE	
19	FB6-3846-000		1	LABEL, FIXING DOOR OPEN/CLOSE	
20	FB6-3847-000		1	LABEL, FIXING LEVER OPEN/CLOSE	
21	FB6-3848-000		1	LABEL, FIXING JAM	
22	FB6-3936-000		3	PAD	
501	XB6-7400-607		1	SCREW,TP,M4X6	
502	XB4-5400-807		5	SCREW,P,M4X8	
503	XD2-1100-502		3	RING,E	
504	XD2-2300-402		4	RING,TOOTHED LOCK	

FIGURE & KEY NO.	PART NUMBER	RANK	QTY	DESCRIPTION	SERIAL NUMBER / REMARKS
351 -	FG6-9050-000		1	DELIVERY VERTICAL PATH ASS'Y	
1	FF5-6279-000		1	PIN, GUIDE	
2	FB5-4896-000		4	HOLDER, ROLLER	
3	FB5-9570-000		4	ROLLER, FACE DOWN	
4	FB5-9803-000		4	RING	
5	FB6-3532-000		1	PLATE, GROUNDING	
6	FB6-3875-000		2	ROLLER, REVERSE	
7	FB6-3534-000		1	FLAG, DELIVERY SENSOR	
8	FB6-3877-000		2	COLLAR	
9	FF6-2145-000		4	ROLLER, DELIVERY FEEDER	
10	FB6-3541-000		1	GUIDE, INLET	
11	FB6-3544-000		1	ARM, SENSOR	
12	FB6-3545-000		1	SPRING, TORSION	
13	FB6-3564-000		1	SPRING, TORSION	
14	FF6-2131-000		2	PLATE, PAPER FULL SENSOR	
15	FF6-2070-000		1	GUIDE, PAPER FEED	
16	FH6-1975-000		1	MOTOR, STEPPING	M10 J704
17	FH7-7312-000		3	PHOTO-INTERRUPTER	PS6,12,13 J706,711,712
18	FS1-1187-000		2	BUSHING	
19	FS2-1544-000		1	BUSHING	
20	FS5-0353-000		4	GEAR, 22T	
21	FS5-3989-000		2	PULLEY, 32T	
22	FU3-0319-000		1	GEAR, 16T	
23	FU3-0322-000		1	GEAR, 17T/51T	
24	FU3-0323-000		1	GEAR, 28T	
25	FU3-0324-000		1	GEAR, 31T/17T	
26	RB1-6666-000		1	ELIMINATOR, STATIC CHARGE	
27	FB6-3897-000		4	RETAINER, FEEDER ROLLER	
28	RS5-1324-000		1	BUSHING	
29	RS5-1325-000		2	BUSHING, CONDUCTIVE	

FIGURE & KEY NO.	PART NUMBER	RANK	QTY	DESCRIPTION	SERIAL NUMBER / REMARKS
351 - 30	FS7-2859-000		4	SPRING, COMPRESSION	
31	XF9-0736-000		1	BELT, TIMING	
32	FG3-2311-000		1	CABLE, DELIVERY PATH	J701,703-706,710-712
33	FH6-1975-000		1	MOTOR, STEPPING	M11 J705
34	FH7-7312-000		1	PHOTO-INTERRUPTER	PS8 J710
35	XA9-0724-000		2	SCREW,RS,M3X8	
36	FB6-3869-000		1	FLAG, PAPER FULL SENSOR	
37	FB6-3874-000		1	ROLLER, FACE-DOWN DELIVERY	
501	XB3-6300-800		2	SCREW,RS,M3X8	
502	XB3-6400-800		7	SCREW,RS,M4X8	
503	XB4-5300-807		5	SCREW,P,M3X5	
504	XD2-1100-502		1	RING,E	
505	XD2-1100-642		1	RING,E	
506	XD2-1100-242		3	RING,E	

FIGURE 360

DUPLEXING ASSEMBLY (DUPLEX TYPE) (1/2)



SEE FIGURE 361

NOTE : This assembly includes the assembly shown in Figure 361.

FIGURE 360

DUPLEXING ASSEMBLY (DUPLEX TYPE) (2/2)

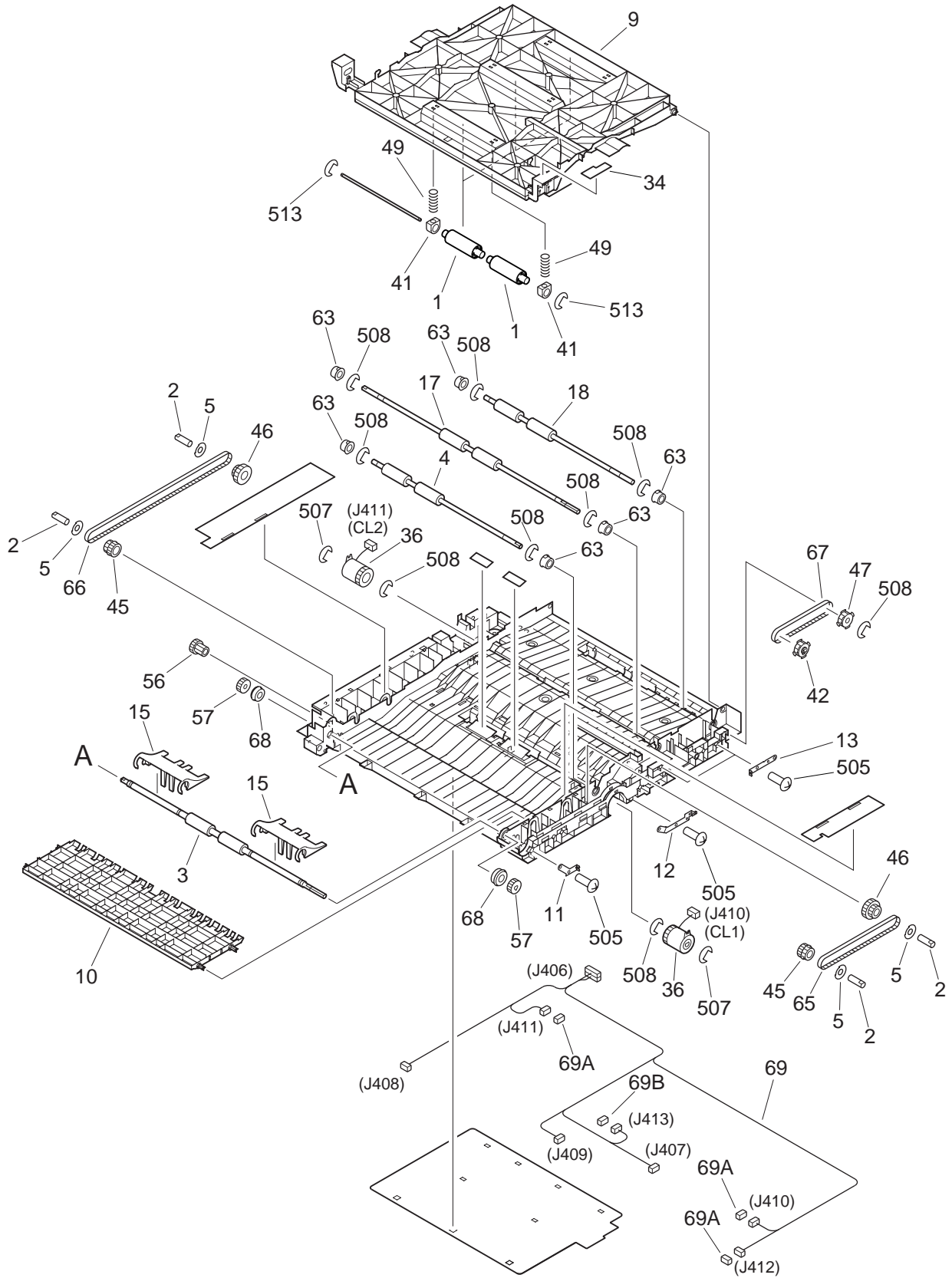


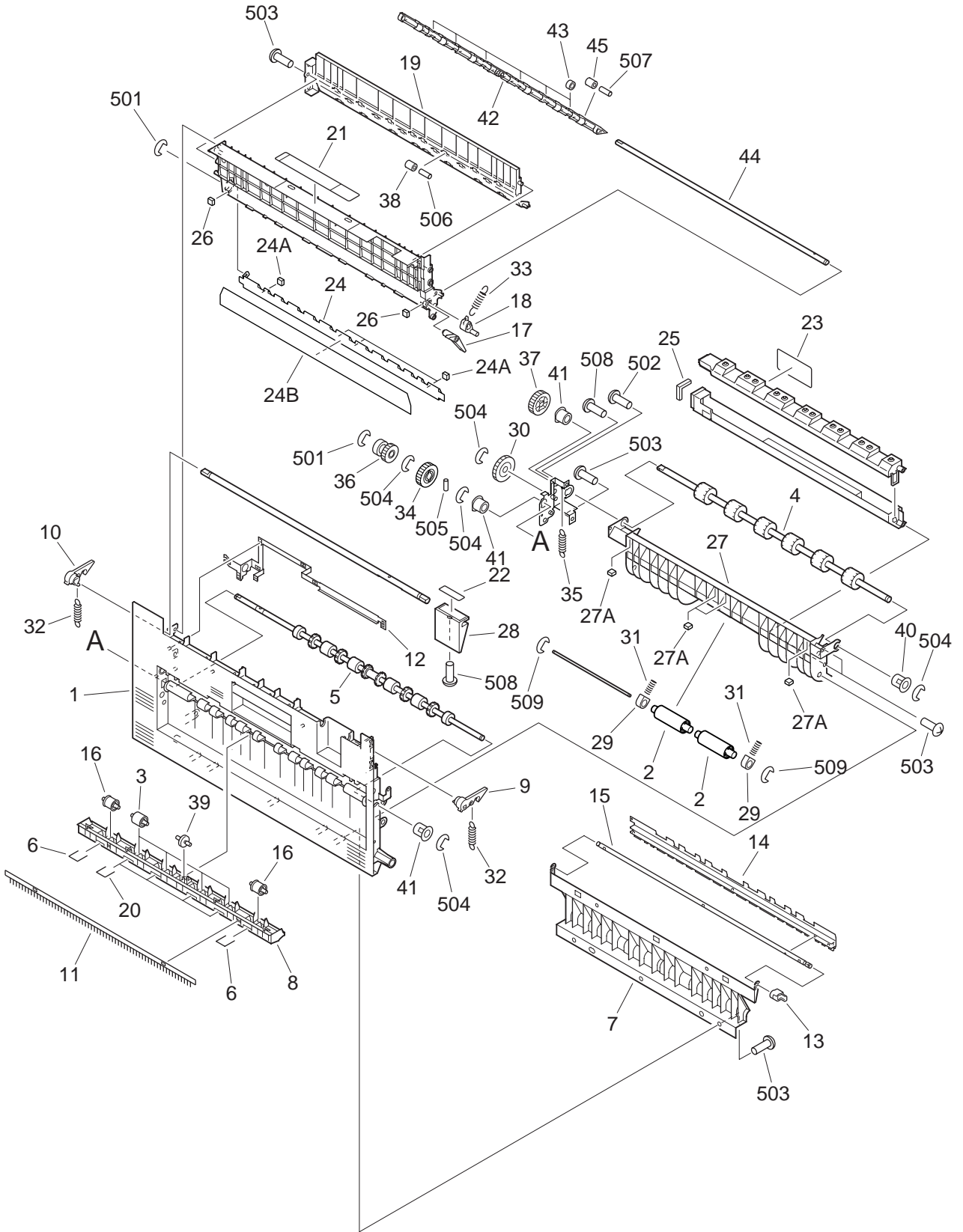
FIGURE & KEY NO.	PART NUMBER	RANK	QTY	DESCRIPTION	SERIAL NUMBER / REMARKS
360 -	FG6-9692-000		1	DUPLEXING ASSEMBLY	DUPLEX TYPE 100V SEE NOTE
	FG6-9058-000		1	DUPLEXING ASSEMBLY	DUPLEX TYPE 120/220/240V SEE NOTE
	1	FB6-4873-000		6	ROLLER, PAPER FEED
2	FB6-3572-000		4	SHAFT, DUPLEXING IDLER	
3	FB6-3888-000		1	ROLLER, DUPLEXING FEEDER, 1	
4	FB6-3889-000		1	ROLLER, DUPLEXING FEEDER, 2	
5	FB6-3576-000		4	SPACER	
6	FB6-3577-000		1	HOLDER, DUPLEXING SENSOR	
7	FB6-3578-000		1	FLAG, DUPLEXING SENSOR	
8	FB6-3579-000		1	ARM, SWING	
9	FB6-3580-000		1	GUIDE, DUPLEXING OPEN/CLOSE	
10	FB6-3581-000		1	GUIDE, DUPLEXING, UPPER	
11	FB6-3583-000		1	PLATE, GROUNDING, 1	
12	FB6-3584-000		1	PLATE, GROUNDING, 2	
13	FB6-3585-000		2	PLATE, GROUNDING, 3	
14	FB6-3588-000		1	SHAFT, IDLER GEAR, 1	
15	FB6-3589-000		2	GUIDE, DUPLEXING AUXILIARY	
16	FB6-3590-000		1	SUPPORT, DRAWER CABLE	
17	FB6-3890-000		1	ROLLER, DUPLEXING FEEDER, 3	
18	FB6-3891-000		1	ROLLER, DUPLEXING FEEDER, 4	
19	FB6-3595-000		1	LINK, SOLENOID, 1	
20	FB6-4908-000		1	LEVER, CLICK, REAR	
21	FF6-2147-000		1	PANEL, EX. DELIVERY FIX, FRONT	
22	FB6-3599-000		1	PANEL, DELIVERY, REAR	
23	FB6-3600-000		1	PIN, ADJUSTMENT	
24	FB6-3638-000		1	PLATE, GROUNDING	
25	FB6-3684-000		1	LEVER, CLICK, FRONT	
26	FB6-3686-000		2	PIN, SLIDE	

FIGURE & KEY NO.	PART NUMBER	RANK	QTY	DESCRIPTION	SERIAL NUMBER / REMARKS
360 - 27	FB6-4918-000		1	ROLLER, LEVER, REAR	
28	XA9-1412-000		1	NUT, HEX, M5	
29	FB6-3698-000		1	PLATE, FIXING POSITIONING	
30	FB6-3880-000		1	DUCT, JOINT	
31	FB6-3728-000		1	LINK, DELIVERY OPEN/CLOSE	
32	FF6-2079-000		1	PLATE, POSITIONING	
33	FF6-2081-000		1	SHAFT, DELIVERY OPEN/CLOSE	
34	FB6-3893-000		1	LABEL, DUPLEXING HANDLE	
35	FH6-1974-000		1	MOTOR, STEPPING	M26 J408
36	FH6-5052-000		2	CLUTCH, ELECTRO-MAGNETIC	CL1,2 J410,411
37	FH6-5056-000		1	SOLENOID	SL5 J412
38	FH7-7312-000		1	PHOTO-INTERRUPTER	PS21 J409
39	FS1-1465-000		1	BUSHING	
40	FB6-3934-000		1	ROLLER, LEVER, FRONT	
41	FS5-1595-000		6	BLOCK, ROLLER	
42	FS5-3989-000		1	PULLEY, 32T	
43	FS5-6948-000		2	COLLAR, RAIL	
44	FS5-6950-000		1	COLLAR	
45	FS6-3001-000		2	PULLEY, 28T/GEAR, 35T	
46	FS6-3002-000		2	PULLEY, 28T/GEAR, 24T	
47	FS6-3003-000		1	PULLEY, 32T	
48	FS7-2360-000		1	SPRING, TENSION	
49	FS7-2788-000		6	SPRING, COMPRESSION	
50	FS7-2867-000		1	SPRING, TENSION	
51	FB6-3964-000		1	PLATE, POSITIONING, FRONT	
52	FF6-2143-000		1	PLATE, ADJUSTMENT	
53	FS7-2861-000		1	SPRING, COMPRESSION	
54	FS7-2822-000		1	SPRING, COMPRESSION	
55	FS7-2829-000		1	SPRING, TENSION	
56	FU3-0310-000		1	GEAR, 35T/24T	

FIGURE & KEY NO.	PART NUMBER	RANK	QTY	DESCRIPTION	SERIAL NUMBER / REMARKS
360 - 57	FU3-0311-000		2	GEAR, 35T	
58	FU3-0312-000		1	GEAR, 30T	
59	FU3-0313-000		1	GEAR, 20T	
60	FU3-0314-000		1	GEAR, 15T	
61	FU3-0315-000		1	GEAR, 15T	
62	RB1-6653-000		1	SHAFT, GEAR	
63	RS5-1325-000		6	BUSHING, CONDUCTIVE	
64	VS1-6920-025		1	CONNECTOR, 25P, MALE	J406
65	XF9-0733-000		1	BELT, TIMING	
66	XF9-0734-000		1	BELT, TIMING	
67	XF9-0735-000		1	BELT, TIMING	
68	XG9-0479-000		3	BEARING, BALL	
69	FG3-2312-000		1	CABLE, DUPLEXING	J406-413
69A	VS1-5057-002		3	CONNECTOR, SNAP TIGHT	J410-412
69B	VS1-5057-006		1	CONNECTOR, SNAP TIGHT	J413
70	FS7-2862-000		1	SPRING, TENSION	
71	FG3-3002-000		1	CABLE, GROUNDING	
72	FB6-3629-000		1	RACK, SLIDE	
73	FB6-3630-000		1	FLAG, REG. SENSOR	
74	FH6-1253-000		1	MOTOR, STEPPING, DC24V	M25 J413
75	FH7-7312-000		1	PHOTO-INTERRUPTER	PS22 J414
76	FS7-2832-000		1	SPRING, TORSION	
77	FU3-0318-000		1	GEAR, 36T/12T	
78	FG3-2313-000		1	CABLE, SIDE REGIST. SENSOR	J407,414
78A	VS1-5057-003		1	CONNECTOR, SNAP TIGHT	J407
501	XB1-2300-407		6	SCREW,MACH.,TRUSS HEAD,M3X4	
502	XB1-2400-607		5	SCREW,MACH.,TRUSS HEAD,M4X6	
503	XB3-6400-800		5	SCREW,RS,M4X8	
504	XB1-2300-807		2	SCREW,MACH.,TRUSS HEAD,M3X8	
505	XB4-5400-807		16	SCREW,P,M4X8	

FIGURE 361

EXTERNAL DELIVERY COVER ASS'Y (DUPLIX TYPE)



NOTE : This assembly is included in the assembly shown in Figure 360.

FIGURE & KEY NO.	PART NUMBER	RANK	QTY	DESCRIPTION	SERIAL NUMBER / REMARKS
361 -	FG6-9059-000		1	EXTERNAL DELIVERY COVER ASS'Y	DUPLEX TYPE SEE NOTE
1	FB6-3604-000		1	PANEL, EXTERNAL DELIVERY	
2	FB6-4873-000		2	ROLLER, PAPER FEED	
3	FB6-3555-000		4	ROLLER, DELIVERY, 2	
4	FB6-4862-000		1	ROLLER, INTERNAL DELIVERY	
5	FB6-3602-000		1	ROLLER, EXTERNAL DELIVERY	
6	FB6-3603-000		2	PIN, ROLLER HOLDING	
7	FB6-3606-000		1	GUIDE, EXTERNAL DELIV., LOWER	
8	FF6-2117-000		1	HOLDER, EXTERNAL DELIV. ROLLER	
9	FB6-3610-000		1	HOOK, DELIVERY, FRONT	
10	FB6-3611-000		1	HOOK, DELIVERY, REAR	
11	FB6-3613-000		1	ELIMINATOR, STATIC CHARGE	
12	FB6-3614-000		1	PLATE, GROUNDING	
13	FB6-3618-000		1	LINK, SOLENOID, 2	
14	FF6-2118-000		1	DEFLECTOR, FACE-UP/DUPLEX	
15	FB6-3620-000		1	SHAFT, FU/DUPLEX DEFLECTOR	
16	FB6-3621-000		2	ROLLER, EXTERNAL DELIVERY	
17	FB6-3623-000		1	LINK, DEFLECTOR	
18	FB6-3626-000		1	LINK, FACE-UP DEFLECTOR, 2	
19	FB6-3729-000		1	GUIDE, EXTERNAL DELIV., UPPER	
20	FB6-3843-000		4	PIN, ROLLER HOLDING	
21	FB6-3846-000		1	LABEL, FIXING DOOR OPEN/CLOSE	
22	FB6-3847-000		1	LABEL, FIXING LEVER OPEN/CLOSE	
23	FB6-3848-000		1	LABEL, FIXING JAM	
24	FF6-2075-000		1	GUIDE, FACE-UP FIXING	
24A	FB6-3586-000		4	DAMPER, NOISE INSULATION	
24B	FB6-3617-000		1	SHEET, DUPLEXING REVERSE	
25	FB6-3627-000		1	DAMPER, DUCT, 2	
26	FB6-3586-000		2	DAMPER, NOISE INSULATION	
27	FF6-2116-000		1	GUIDE, EXTERNAL DELIV., LOWER	

FIGURE & KEY NO.	PART NUMBER	RANK	QTY	DESCRIPTION	SERIAL NUMBER / REMARKS
361 - 27A	FB6-3586-000		4	DAMPER, NOISE INSULATION	
28	FB6-3612-000		1	KNOB, DELIVERY	
29	FS5-1595-000		2	BLOCK, ROLLER	
30	FS7-0128-000		1	GEAR, 32T	
31	FS7-2788-000		2	SPRING, COMPRESSION	
32	FS7-2828-000		2	SPRING, TENSION	
33	FS7-2830-000		1	SPRING, TENSION	
34	FU3-0277-000		1	GEAR, 16T	
35	FS7-2831-000		1	SPRING, TENSION	
36	FU3-0316-000		1	GEAR, 13T	
37	FU3-0317-000		1	GEAR, 21T	
38	RB2-0493-000		22	ROLLER, PAPER SENSOR	
39	RB9-0255-000		1	ROLLER	
40	RS5-1060-000		1	BUSHING	
41	RS5-1325-000		3	BUSHING, CONDUCTIVE	
42	FB6-3622-000		1	DEFLECTOR, FACE-UP, DUPLEXING	
43	FB6-3892-000		6	ROLLER, FACE-UP DEFLECTOR	
44	FF6-2128-000		1	SHAFT, FACE-UP DEFLECTOR	
45	RB2-0493-000		8	ROLLER, PAPER SENSOR	
501	XD2-1100-402		2	RING,E	
502	XB2-8300-807		1	SCREW,W/WASHER,M3X8	
503	XB4-5300-807		7	SCREW,P,M3X5	
504	XD2-1100-502		5	RING,E	
505	XD3-2200-102		1	PIN,DOWEL	
506	XD3-2200-122		22	PIN,DOWEL	
507	XD3-2200-122		8	PIN,DOWEL	
508	XB6-7400-607		1	SCREW,TP,M4X6	
509	XD2-1100-282		2	RING,E	

FIGURE 365

MULTI PAPER FEED MOUNT ASSEMBLY

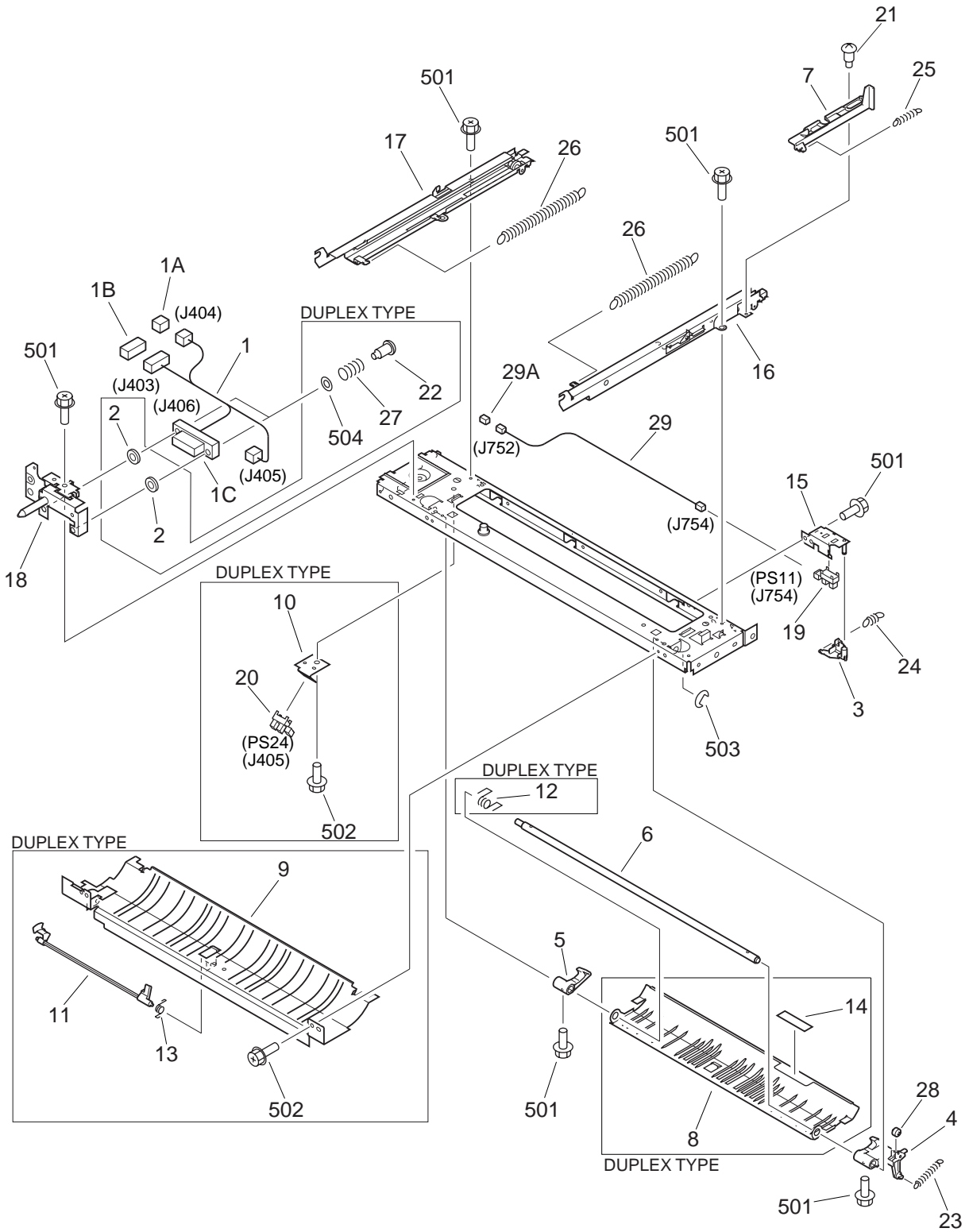
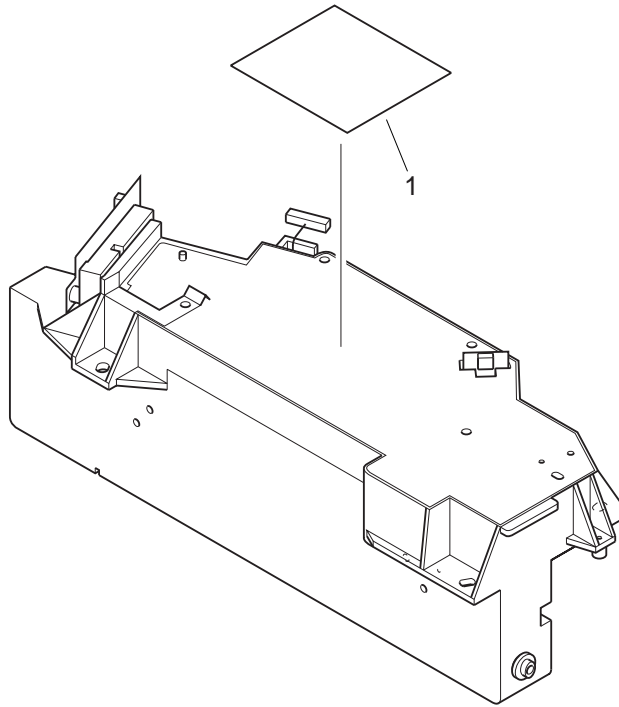


FIGURE & KEY NO.	PART NUMBER	RANK	QTY	DESCRIPTION	SERIAL NUMBER / REMARKS
365 -	FG6-9021-000		1	MULTI PAPER FEED MOUNT ASS'Y	PLAIN TYPE
	FG6-9022-000		1	MULTI PAPER FEED MOUNT ASS'Y	DUPLEX TYPE
1	FG3-2306-000		1	CABLE, DUPLEXING DRAWER	J403-406
1A	VS1-6318-004		1	CONNECTOR, SNAP TIGHT	J404
1B	VS1-6319-026		1	CONNECTOR, SNAP TIGHT	J403
1C	VS1-6919-025		1	CONNECTOR, DRAWER	J406
2	FS5-6955-000		2	SPACER	DUPLEX TYPE
3	FB6-3346-000		1	FLAG, OPEN/CLOSE SENSOR	
4	FB6-3348-000		1	HOOK, REGISTRATION, FRONT	
5	FB6-3349-000		1	HOOK, REGISTRATION, REAR	
6	FB6-3350-000		1	SHAFT, HOOK	
7	FB6-3351-000		1	LEVER, RELEASE	
8	FB6-3356-000		1	GUIDE, RE-PICK UP, UPPER	DUPLEX TYPE
9	FB6-3357-000		1	GUIDE, RE-PICK UP, LOWER	DUPLEX TYPE
10	FB6-3358-000		1	SUPPORT, DUPLEXING SENSOR	DUPLEX TYPE
11	FB6-3359-000		1	FLAG, RE-PICK UP SENSOR	DUPLEX TYPE
12	FB6-3360-000		1	SPRING, TORSION	DUPLEX TYPE
13	FB6-3361-000		1	SPRING, TORSION	DUPLEX TYPE
14	FB6-3864-000		1	LABEL, GUIDE HANDLE	DUPLEX TYPE
15	FF6-2054-000		1	SUPPORT, OPEN/CLOSE SENSOR	
16	FF6-2101-000		1	RAIL, FRONT	
17	FF6-2102-000		1	RAIL, REAR	
18	FF6-2129-000		1	SUPPORT, FEEDER POSITIONING	
19	FH7-7312-000		1	PHOTO-INTERRUPTER	PS11 J754
20	FH7-7312-000		1	PHOTO-INTERRUPTER	DUPLEX TYPE PS24 J405
21	FS5-9753-000		1	SCREW, STEPPED, M3	
22	FS5-9758-000		2	SCREW, STEPPED, M3	DUPLEX TYPE
23	FS7-2790-000		1	SPRING, TENSION	
24	FS7-2791-000		1	SPRING, TENSION	
25	FS7-2792-000		1	SPRING, TENSION	

FIGURE 460 LASER UNIT



NOTE : This assembly does not include the part shown with key No. 1.

FIGURE & KEY NO.	PART NUMBER	RANK	QTY	DESCRIPTION	SERIAL NUMBER / REMARKS
460 -	FG6-8962-000		4	LASER UNIT	
1	FS7-8329-000		4	LABEL, LASER WARNING	SEE NOTE
<hr style="border-top: 1px dashed black;"/>					
<hr style="border-top: 1px dashed black;"/>					

FIGURE 535

INTERMEDIATE TRANSFER BELT ASSEMBLY

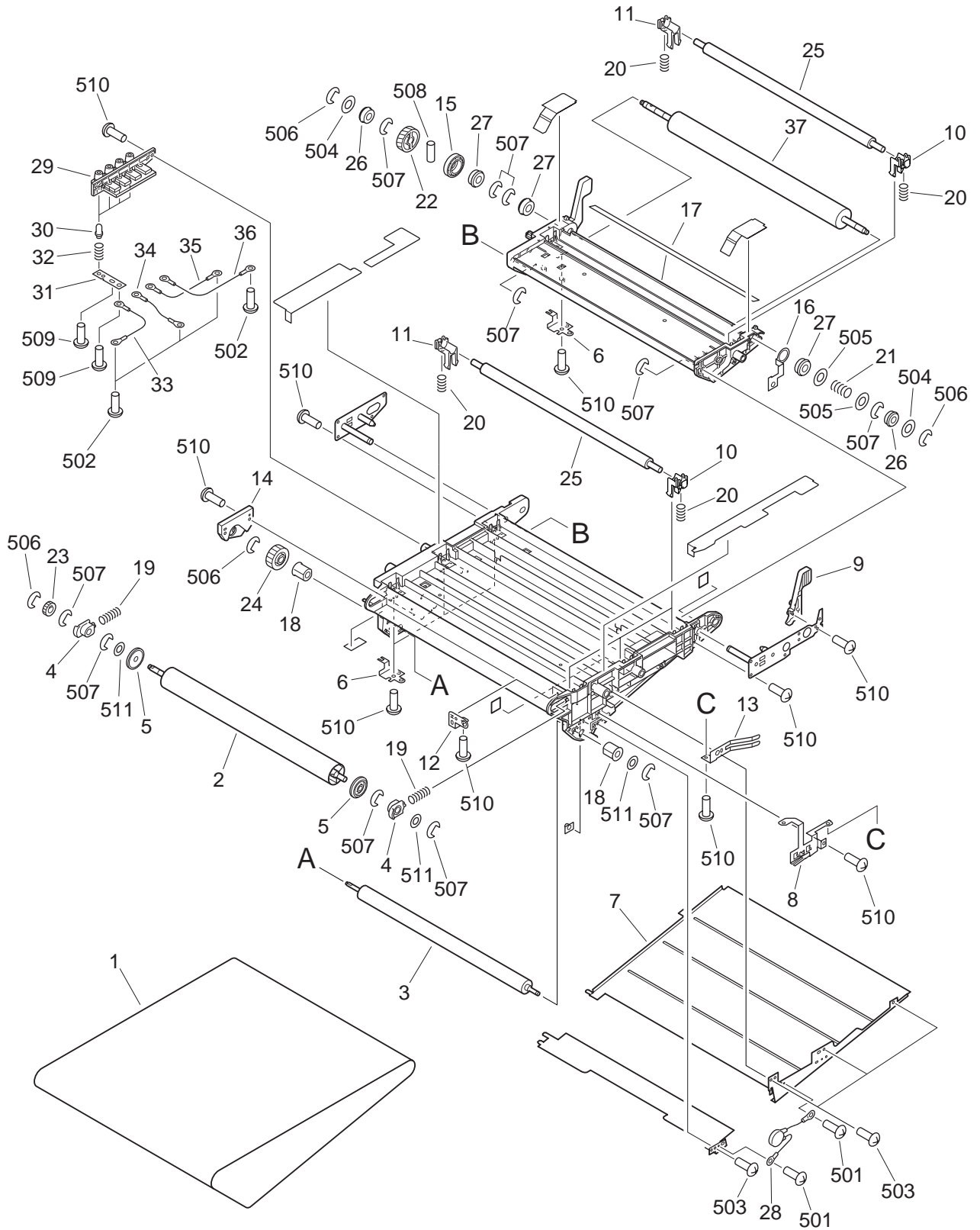


FIGURE & KEY NO.	PART NUMBER	R A N K	Q' T Y	DESCRIPTION	SERIAL NUMBER / REMARKS
535 -	FG6-9685-000		1	INTER. TRANSFER BELT ASSEMBLY	100V
	FG6-8942-000		1	INTER. TRANSFER BELT ASSEMBLY	120/220/240V
1	FB6-2930-000		1	BELT, TRANSFER	
2	FB6-2932-000		1	ROLLER, TENSION	
3	FB6-2934-000		1	ROLLER, TRANSFER, 2	
4	FB6-2936-000		2	BUSHING	
5	FB6-2938-000		2	COLLAR, LIMIT	
6	FB6-2939-000		4	PLATE, CONTACT	
7	FB6-2940-000		1	COVER, BELT	
8	FB6-2941-000		1	PLATE, GROUNDING	
9	FB6-2942-000		1	HANDLE, FRONT	
10	FB6-2944-000		4	BUSHING	
11	FB6-2945-000		4	BUSHING	
12	FB6-2947-000		1	PLATE, GROUNDING	
13	FB6-2948-000		1	SPRING, LEAF	
14	FB6-2951-000		1	COVER, GEAR	
15	FB6-2957-000		1	ROLLER	
16	FB6-2958-000		1	PLATE, GROUNDING	
17	FB6-2974-000		1	SCRAPER	
18	FS6-1062-000		2	BUSHING	
19	FS7-2781-000		2	SPRING, COMPRESSION	
20	FS7-2782-000		8	SPRING, COMPRESSION	
21	FS7-2783-000		1	SPRING, COMPRESSION	
22	FU3-0266-000		1	GEAR, 42T	
23	FU3-0267-000		1	GEAR, 18T	
24	FU3-0268-000		1	GEAR, 40T	
25	RB2-6870-000		4	ROLLER, TRANSFER	
26	XG9-0245-000		2	BEARING, BALL	
27	XG9-0415-000		3	BEARING, BALL	
28	FG3-2365-000		1	CABLE, VARISTOR	

FIGURE & KEY NO.	PART NUMBER	RANK	QTY	DESCRIPTION	SERIAL NUMBER / REMARKS
535 - 29	FB6-2953-000		1	HOLDER, CONTACT	
30	FB6-2954-000		4	CONTACT	
31	FB6-2955-000		4	PLATE, SUPPORT SPRING	
32	FS7-2784-000		4	SPRING, COMPRESSION	
33	FG3-2320-000		1	CABLE, HV, YELLOW	
34	FG3-2321-000		1	CABLE, HV, MAGENTA	
35	FG3-2367-000		1	CABLE, HV, CYAN	
36	FG3-2368-000		1	CABLE, HV, BLACK	
37	FB6-2931-000		1	ROLLER, DRIVE	
501	XB1-2300-607		2	SCREW,MACH.,TRUSS HEAD,M3X6	
502	XB2-8300-607		4	SCREW,W/WASHER,M3X6	
503	XB4-5300-807		11	SCREW,P,M3X5	
504	XD1-1106-212		2	SHIM	
505	XD1-1108-225		2	SHIM	
506	XD2-1100-502		4	RING,E	
507	XD2-1100-642		11	RING,E	
508	XD3-2200-202		1	PIN,DOWEL	
509	XB2-8300-607		8	SCREW,W/WASHER,M3X6	
510	XB4-5300-807		14	SCREW,P,M3X5	
511	XD1-1108-212		3	SHIM	

FIGURE 537 TRANSFER CLEANING ASSEMBLY

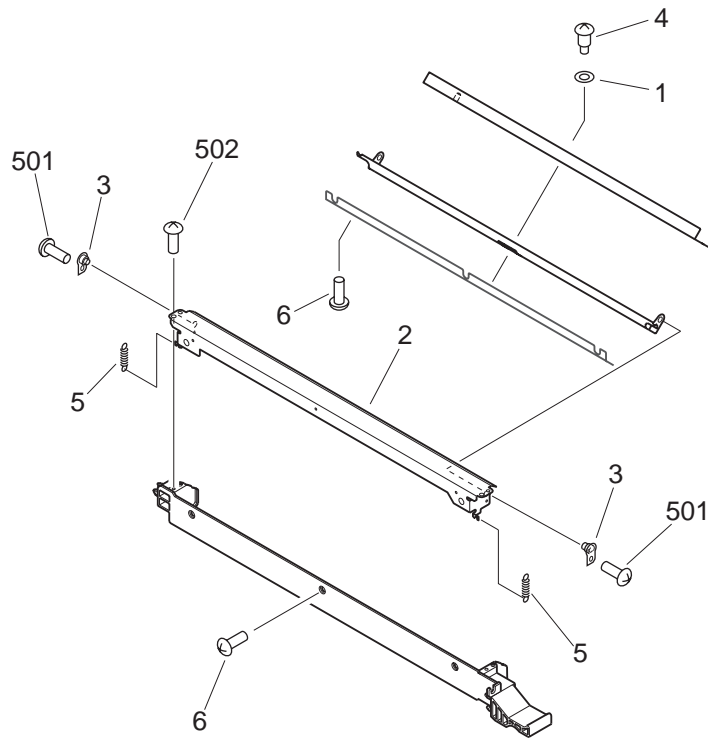


FIGURE & KEY NO.	PART NUMBER	RANK	QTY	DESCRIPTION	SERIAL NUMBER / REMARKS
537 -	FG6-8989-000		1	TRANSFER CLEANING ASSEMBLY	
1	FS5-6957-000		1	WASHER, WAVE	
2	FB6-3113-000		1	COVER, CLEANING	
3	FF6-2032-000		2	SUPPORT, BLADE SWING	
4	FS1-9010-000		1	SCREW, STEPPED, M3X2.2	
5	FS7-2840-000		2	SPRING, TENSION	
6	XA9-0624-000		9	SCREW, M3X4	
501	XB1-2300-407		2	SCREW, MACH., TRUSS HEAD, M3X4	
502	XB4-5300-807		2	SCREW, P, M3X5	

FIGURE & KEY NO.	PART NUMBER	RANK	QTY	DESCRIPTION	SERIAL NUMBER / REMARKS
560 -	FG6-9690-000		1	SECONDARY TRANSFER ASSEMBLY	100V
	FG6-8993-000		1	SECONDARY TRANSFER ASSEMBLY	120/220/240V
	1	FB6-3135-000		1	PLATE, HV CONTACT, 2
2	FB6-3136-000		1	PLATE, GROUNDING, 2	
3	FB6-3146-000		1	GUIDE, SECONDARY TRANSFER, 1	
4	FB6-3853-000		1	GUIDE, SECONDARY TRANSFER, 2	
5	FB6-3854-000		1	GUIDE, SECONDARY TRANSFER, 3	
6	FB6-3855-000		1	GUIDE, SECONDARY TRANSFER, 4	
7	FF6-2150-000		1	PLATE, ATTRACTION	100V
	FF6-2127-000		1	PLATE, ATTRACTION	120/220/240V
7A	FB6-3850-000		1	SHEET, SECONDARY TRANSFER	
8	FS7-2846-000		1	SPRING, COMPRESSION	
9	FB6-3150-000		18	COLLAR, TRANSFER	
10	FS7-2856-000		2	SPRING, COMPRESSION	
11	FS7-2857-000		1	SPRING, COMPRESSION	
12	FG6-9691-000		1	SECONDARY TRANSFER ROLLER UNIT	100V
	FG6-8997-000		1	SECONDARY TRANSFER ROLLER UNIT	120/220/240V
12A	FB6-3134-000		1	ELIMINATOR, STATIC CHARGE	
12B	FB6-3149-000		1	HOLDER, STATIC CHARGE	
12C	FB6-3150-000		18	COLLAR, TRANSFER	
12D	FB6-3939-000		2	HOLDER, BUSHING	
12E	FS6-1066-000		2	BUSHING	
12F	FU3-0344-000		1	GEAR, 48T	
12G	FB6-3131-000		1	ROLLER, SECONDARY TRANSFER	
501	XD3-2200-102		9	PIN,DOWEL	
502	XB4-5300-607		3	SCREW,P,M3X6	
503	XD3-2200-102		9	PIN,DOWEL	
504	XD2-1100-502		1	RING,E	

FIGURE & KEY NO.	PART NUMBER	RANK	QTY	DESCRIPTION	SERIAL NUMBER / REMARKS
810 -	FG6-9066-000		1	FIXING ASSEMBLY	100V
	FG6-9069-000		1	FIXING ASSEMBLY	120V
	FG6-9070-000		1	FIXING ASSEMBLY	220/240V
1	FA3-8894-000		2	RING, RETAINING	
2	FB1-7234-000		1	ELIMINATOR, STATIC CHARGE	
3	FB2-4375-000		1	BRUSH, GROUNDING	
4	FB6-3641-000		1	ROLLER, FIXING	
5	FB6-3879-000		1	LEVER, INLET	
6	FB6-3643-000		1	SHAFT, PRESSURE RELEASE	
7	FB6-3644-000		1	LEVER, PRESSURE RELEASE	
8	FB6-3645-000		1	GUIDE, FIXING DELIVERY, UPPER	
9	FB6-3646-000		6	RETAINER, DELIVERY COLLAR	
10	FB6-3647-000		1	COVER, FIXING, UPPER	
11	XA9-1361-000		2	SCREW, TP, M4X20	
12	XG9-0477-000		2	BEARING, BALL	
13	FB6-3651-000		1	MOUNT, DRAWER	
14	XG9-0478-000		2	BEARING, BALL	
15	FB6-3653-000		1	ROLLER, PRESSURE	
16	FB6-3657-000		1	PIN, JOINT, FRONT	
17	FB6-3658-000		1	SHAFT, INLET LEVER	
18	FB6-3659-000		1	GUIDE, FIXING INLET	
19	FB6-3660-000		1	RETAINER, UPPER HEATER	
20	FB6-3662-000		1	LEVER, DELIVERY, 1	
21	FB6-3663-000		1	GUIDE, FIXING DELIVERY, LOWER	
22	FB6-3664-000		1	PLATE, CONDUCTIVE, 3	
23	FB6-3665-000		1	COVER, FIXING, REAR	
24	FB6-3666-000		4	CLAW, SEPARATION	
25	FB6-3667-000		2	BUSHING	
26	FB6-3668-000		2	SHAFT, PRESSURE, UPPER	
27	FA9-3941-000		1	GEAR, 20T	

FIGURE & KEY NO.	PART NUMBER	RANK	QTY	DESCRIPTION	SERIAL NUMBER / REMARKS
810 - 28	FB6-3670-000		1	PIN, JOINT, REAR	
29	FB6-3671-000		1	SHAFT, LOWER GUIDE	
30	FB6-3673-000		1	LEVER, INTERNAL DELIVERY, 2	
31	FA3-0652-000		2	BUSHING	
32	FB6-3675-000		2	SHAFT, PRESSURE, LOWER	
33	FB6-3676-000		2	PLATE, PRESSURE SLIDE	
34	FB6-3677-000		1	SPRING, GROUNDING	
35	FB6-3678-000		1	KNOB, GUIDE	
36	FB6-3710-000		6	ROLLER, FIXING DELIVERY	
37	FB6-3150-000		1	COLLAR, TRANSFER	
38	FG6-9644-000		1	FIXING DRAWER CABLE ASSEMBLY	100V H1,H2 J802
	FG6-9646-000		1	FIXING DRAWER CABLE ASSEMBLY	120V H1,H2 J802
	FG6-9647-000		1	FIXING DRAWER CABLE ASSEMBLY	220/240V H1,H2 J802
39	RB2-0493-000		1	ROLLER, PAPER SENSOR	
40	FH7-4739-000		1	QUARTZ HEATER	H3
41	FB6-4909-000		2	SPRING, GROUNDING	
42	FH7-7312-000		2	PHOTO-INTERRUPTER	PS25,27 J803,804
43	FG6-9645-000		1	UPPER FRAME ASSEMBLY	
43A	FB6-3649-000		1	PLATE, CONDUCTIVE, 1	
43B	FB6-3650-000		1	PLATE, CONDUCTIVE, 2	
43C	FB6-3669-000		1	RETAINER, THERMISTOR	
43D	FH7-6345-000		1	THERMOSTAT	TP1
43E	FH7-7586-000		1	THERMISTOR UNIT	TH1 J806
43F	FH7-7587-000		1	THERMISTOR UNIT	TH2 J805
43G	FB6-3652-000		1	PLATE, FIXING	
44	FB6-3885-000		6	RIB, PAPER DELIVERY	
45	FS5-6947-000		1	SPACER	
46	FS7-2814-000		2	SPRING, COMPRESSION	
47	FS7-2815-000		2	SPRING, TORSION	
48	FS7-2816-000		1	SPRING, TORSION	

FIGURE 900

CONTROLLER ASSEMBLY

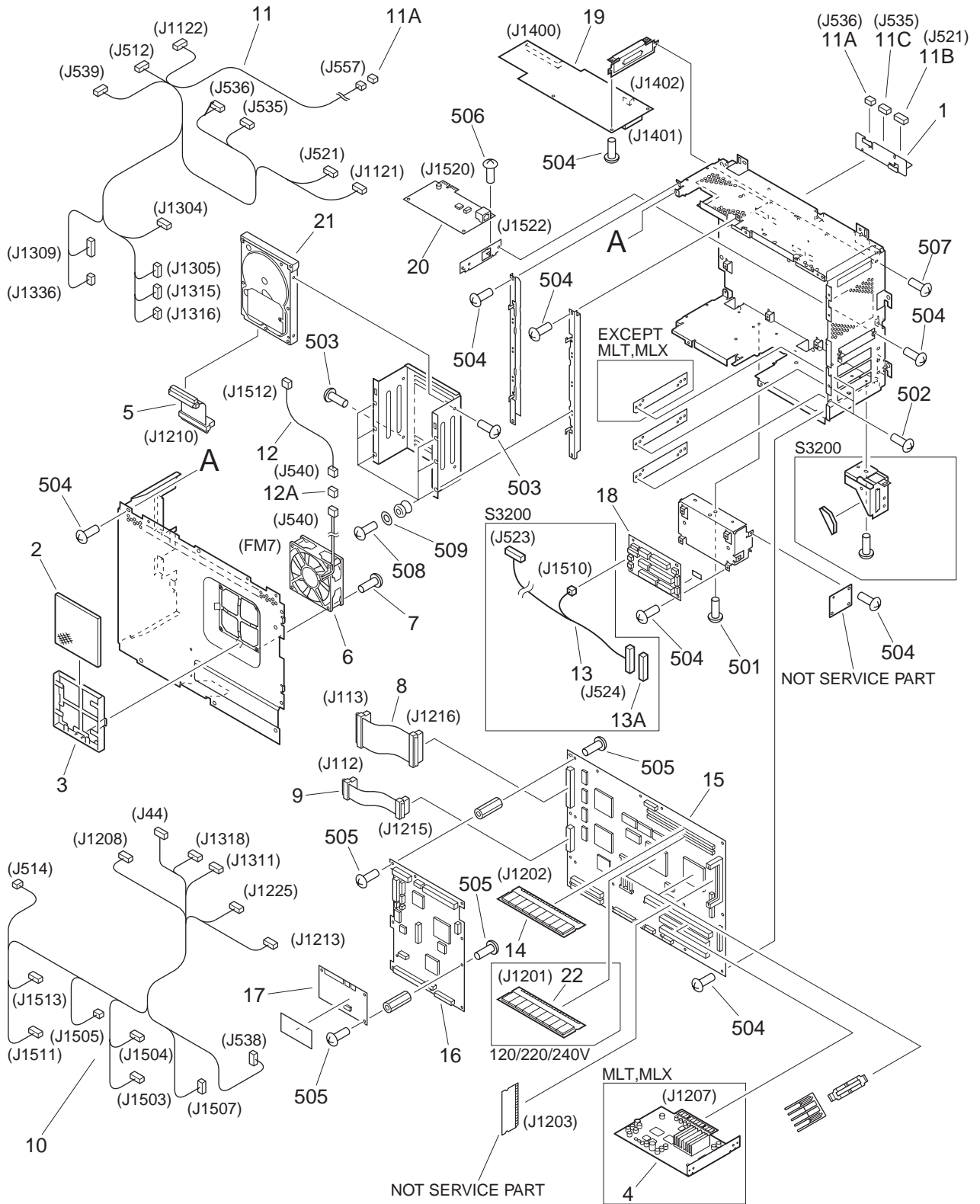
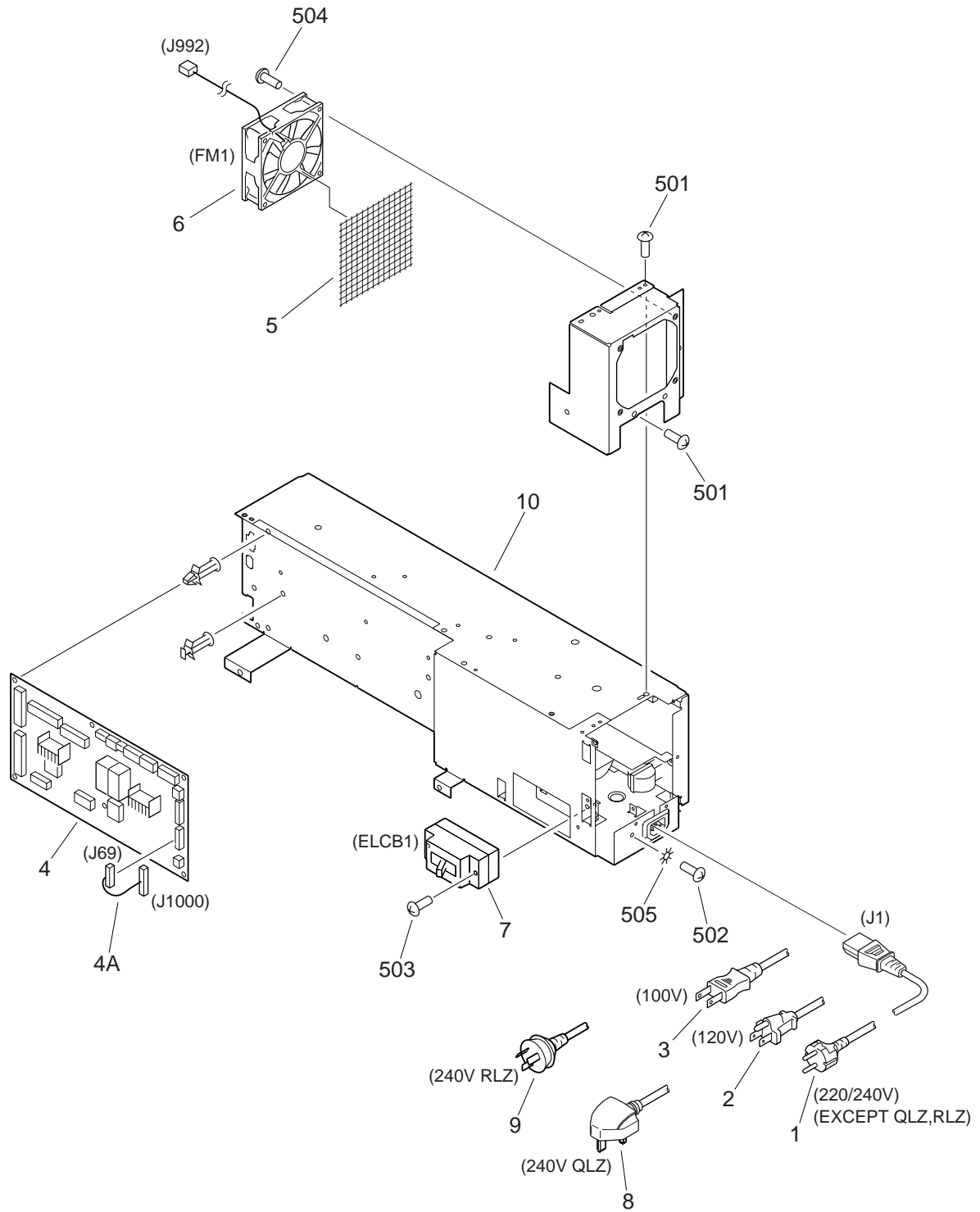


FIGURE & KEY NO.	PART NUMBER	RANK	QTY	DESCRIPTION	SERIAL NUMBER / REMARKS
900 -	NPN		RF	CONTROLLER ASSEMBLY	
1	FB6-3073-000		1	MOUNT, PANEL	
2	FB6-3076-000		1	FILTER, DUST	
3	FB6-3104-000		1	MOUNT, FILTER	
4	FG6-8983-000		1	UFR BOARD PCB ASSEMBLY	MLT,MLX J1207
5	FH2-7019-000		1	FLAT CABLE, HDD, 2	J1210
6	FH6-1983-000		1	FAN	FM7 J540
7	XA9-0896-000		4	SCREW	
8	FG3-2362-000		1	FLAT CABLE, DDI-P, 1	J113,1216
9	FG3-2363-000		1	FLAT CABLE, DDI-P, 2	J112,1215
10	FG3-2644-000		1	CABLE, CONTROLLER-POWER SUPPLY	J44,514,538,1208, J1213,1225,1311,1318
11	FG3-2645-000		1	CABLE, CONTROLLER-I/O	J1503-1505 J1507,1511,1513 J512,521,535,536,539 J557,1121,1122,1304 J1305,1309,1315,1316 J1336
11A	VS1-5057-002		2	CONNECTOR, SNAP TIGHT	J536,557
11B	VS1-5057-010		1	CONNECTOR, SNAP TIGHT	J521
11C	VS1-6318-008		1	CONNECTOR, SNAP TIGHT	J535
12	FG3-2646-000		1	CABLE, CONTROLLER-FAN	J540,1512
12A	VS1-5057-003		1	CONNECTOR, SNAP TIGHT	J540
13	FG3-3147-000		1	CABLE, COIN VENDER	S3200 J523,524,1510
13A	VS1-5057-012		1	CONNECTOR, SNAP TIGHT	S3200 J524
14	WA7-2326-000		1	DIMM ASS'Y	J1202
15	FG3-2718-000		1	MAIN CONTROLLER PCB ASSEMBLY	100V
	FG3-3129-000		1	MAIN CONTROLLER PCB ASSEMBLY	120/220/240V
16	FG3-2721-000		1	SUB CONTROLLER BOARD ASSEMBLY	100V
	FG3-3133-000		1	SUB CONTROLLER BOARD ASSEMBLY	120/220/240V
17	FG3-2727-000		1	SRAM BOARD PCB ASSEMBLY	100V
	FG3-3134-000		1	SRAM BOARD PCB ASSEMBLY	120/220/240V
18	FG6-9676-000		1	DISTRIBUTION BOARD ASSEMBLY	
19	FG3-2724-000		1	DDI-S BOARD PCB ASSEMBLY	100V J1400,1401,1402

FIGURE & KEY NO.	PART NUMBER	RANK	QTY	DESCRIPTION	SERIAL NUMBER / REMARKS
900 - 19	FG3-3136-000		1	DDI-S BOARD PCB ASSEMBLY	120/220/240V J1400,1401,1402
20	FG3-2722-000		1	NETWORK BOARD PCB ASSEMBLY	J1520,1522
21	WM2-5175-000		1	HDD, IC35L040AVVA07-0	
22	WA7-2383-000		1	DIMM ASS'Y	120/220/240V J1201
501	XB1-2260-807		2	SCREW,MACH.,TRUSS HEAD,M2.6X8	
502	XB1-2400-607		6	SCREW,MACH.,TRUSS HEAD,M4X6	
503	XB1-2403-009		4	SCREW,MACH.,TRUSS HEAD,M4X30	
504	XB6-7300-607		33	SCREW,TP,M3X6	
505	XB6-7300-607		16	SCREW,TP,M3X6	
506	XB6-7300-607		2	SCREW,TP,M3X6	
507	XB6-7300-607		2	SCREW,TP,M3X6	
508	XB6-7301-607		6	SCREW,TP,M3X16	
509	XD1-1105-235		6	SHIM	

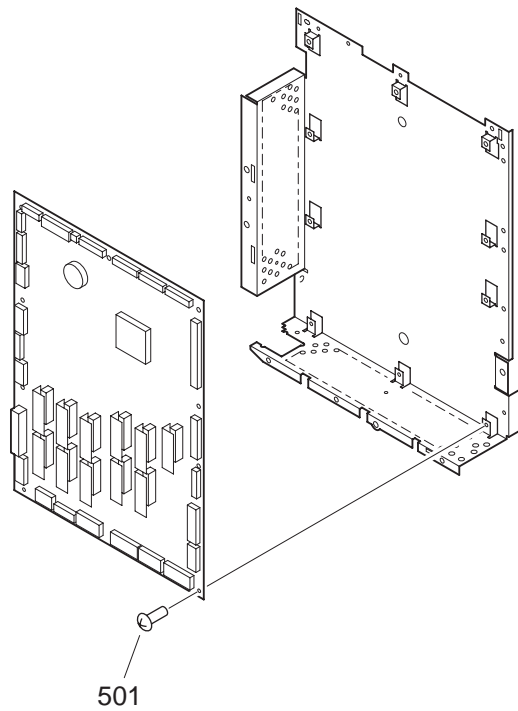
FIGURE 910 DC POWER SUPPLY ASSEMBLY



NOTE : This assembly does not include the parts shown with key No. 1, 2, 3, 8 and 9.

FIGURE & KEY NO.	PART NUMBER	RANK	QTY	DESCRIPTION	SERIAL NUMBER / REMARKS
910 -	NPN		RF	DC POWER SUPPLY ASSEMBLY	
1	FH2-5761-020		1	CORD, POWER SUPPLY	SEE NOTE 220/240V EXCEPT QLZ,RLZ J1
2	FH2-6719-000		1	POWER CORD	SEE NOTE 120V J1
3	FH2-6718-000		1	POWER CORD	SEE NOTE 100V J1
4	FG3-2337-000		1	DC FUSE PCB ASSEMBLY	
4A	FF3-4436-000		1	CABLE, HEATER CONTROL	J69,1000
5	FB6-3235-000		1	SHEET, MESH	
6	FH6-1979-000		1	FAN	FM1 J992
7	FH7-7528-000		1	BREAKER, CIRCUIT	100/120V ELCB1
	FH7-7527-000		1	BREAKER, CIRCUIT	220/240V ELCB1
8	FH2-6941-000		1	POWER CORD	SEE NOTE 240V QLZ J1
9	FH2-5763-000		1	POWER CORD	SEE NOTE 240V RLZ J1
10	FG6-8970-000		1	DC POWER SUPPLY PCB ASSEMBLY	100/120V
	FG6-8971-000		1	DC POWER SUPPLY PCB ASSEMBLY	220/240V
501	XB1-2300-607		17	SCREW,MACH.,TRUSS HEAD,M3X6	
502	XB1-2400-603		1	SCREW,MACH.,TRUSS HEAD,M4X6	
503	XB1-2402-007		2	SCREW,MACH.,TRUSS HEAD,M4X20	
504	XB1-2403-007		4	SCREW,MACH.,TRUSS HEAD, M4X30	
505	XD1-4200-402		1	WASHER,TOOTHED LOCK	

FIGURE 930 DC CONTROLLER PCB ASSEMBLY



NOTE : This assembly does not include the part shown with key No. 501.

FIGURE & KEY NO.	PART NUMBER	RANK	QTY	DESCRIPTION	SERIAL NUMBER / REMARKS
930 -	FG3-3003-000		1	DC CONTROLLER PCB ASSEMBLY	100V
	FG3-2356-000		1	DC CONTROLLER PCB ASSEMBLY	120/220/240V
501	XB1-2400-607		10	SCREW,MACH.,TRUSS HEAD,M4X6	SEE NOTE

FIGURE 980 H.V.TRANSFORMER PCB ASSEMBLY

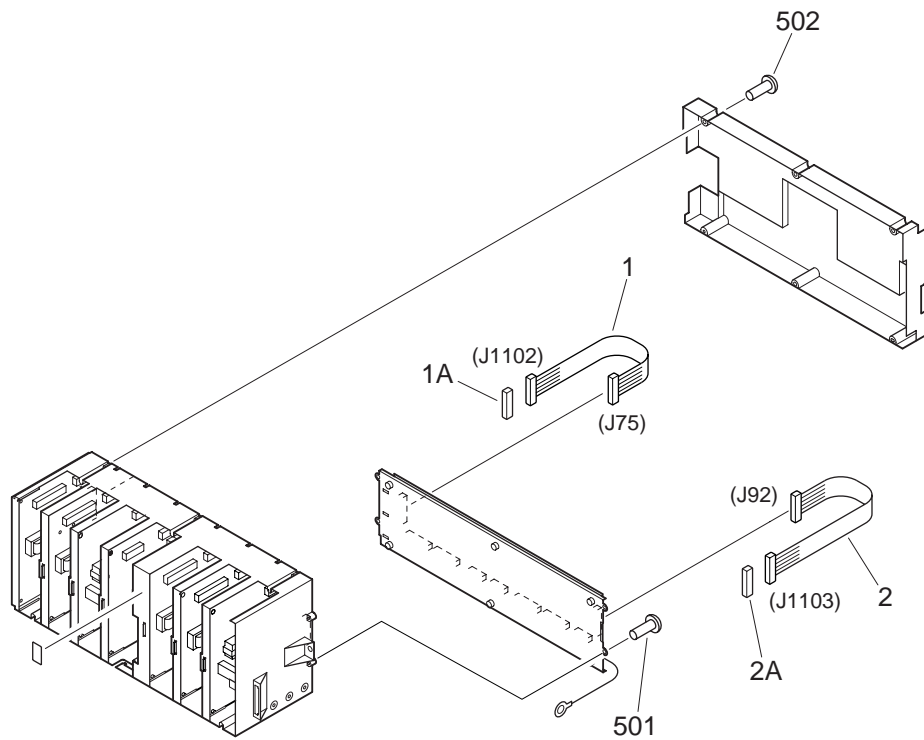


FIGURE & KEY NO.	PART NUMBER	RANK	QTY	DESCRIPTION	SERIAL NUMBER / REMARKS
980 -	FG6-9673-000		1	H.V.TRANSFORMER PCB ASSEMBLY	
1	FG3-2387-000		1	CABLE, H.V. 1-SUB	J75,1102
1A	VS1-6318-020		1	CONNECTOR, SNAP TIGHT	J1102
2	FG3-2396-000		1	CABLE, H.V. 1-SUB, 2	J92,1103
2A	VS1-6318-020		1	CONNECTOR, SNAP TIGHT	J1103
501	XB4-5300-807		25	SCREW,P,M3X5	
502	XB4-5300-807		6	SCREW,P,M3X5	

FIGURE 981

2ND. TRANSFER H.V.T. PCB ASSEMBLY

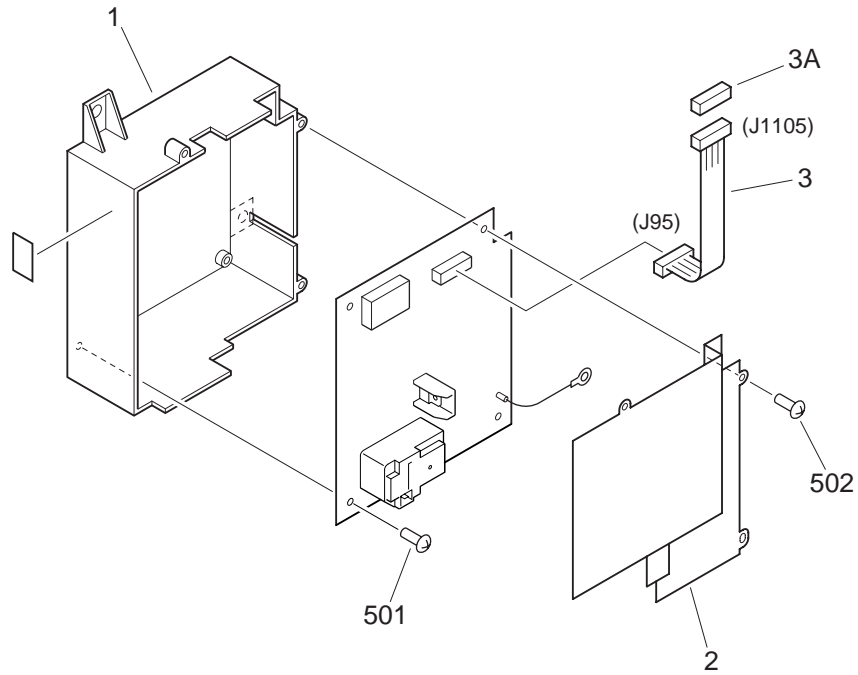


FIGURE & KEY NO.	PART NUMBER	RANK	QTY	DESCRIPTION	SERIAL NUMBER / REMARKS
981 -	FG6-9674-000		1	2ND. TRANSFER H.V.T. PCB ASS'Y	
1	FB6-3095-000		1	CASE, 2ND TRANSFER H.V.T.	
2	FB6-3096-000		1	COVER, 2ND TRANSFER H.V.T.	
3	FG3-2385-000		1	CABLE, H.V., 3	J95,1105
3A	VS1-6318-010		1	CONNECTOR, SNAP TIGHT	J1105
501	XB4-5300-807		4	SCREW,P,M3X5	
502	XB4-5300-807		3	SCREW,P,M3X5	

FIGURE B LIST OF CONNECTORS (1/7)

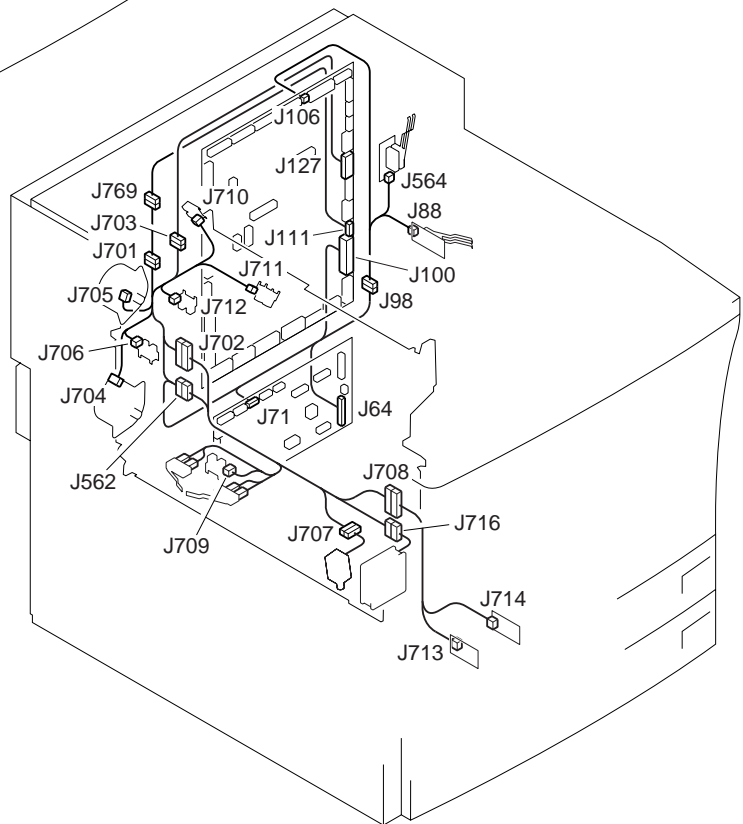
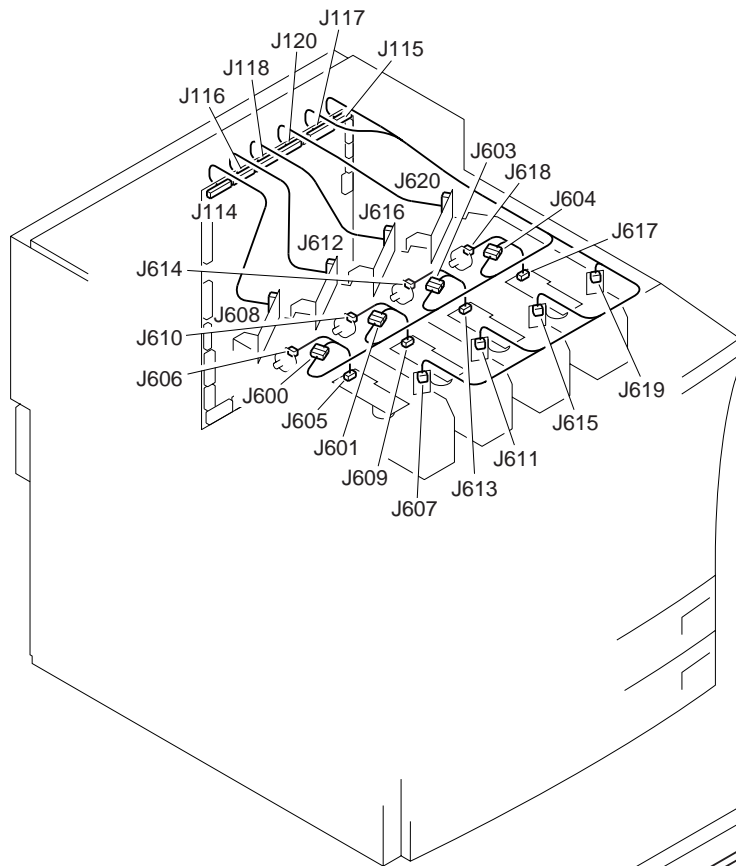


FIGURE B LIST OF CONNECTORS (2/7)

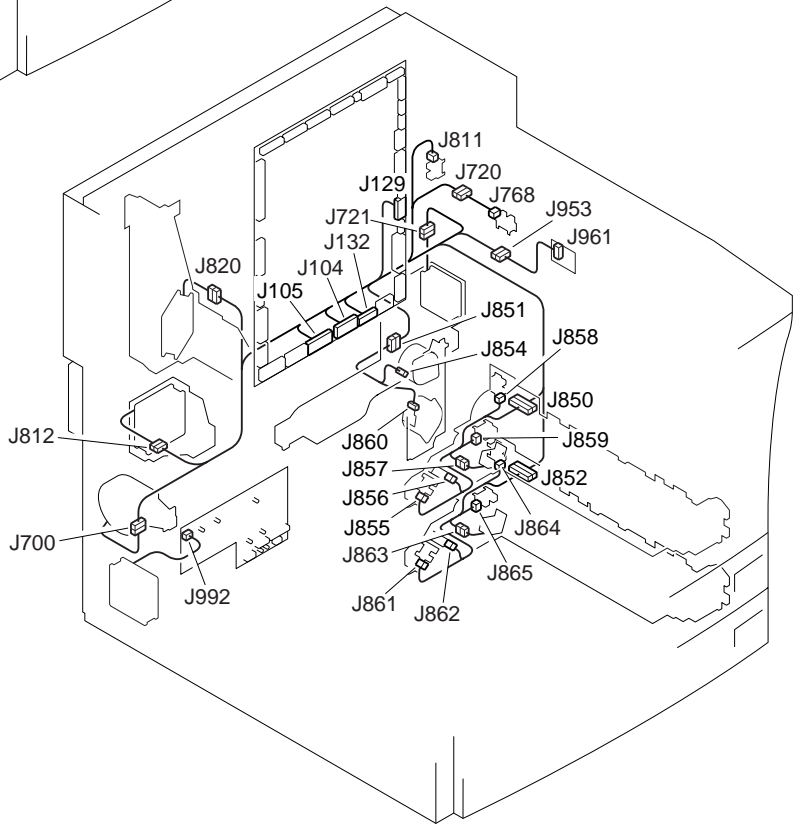
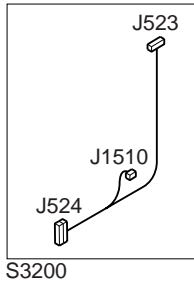
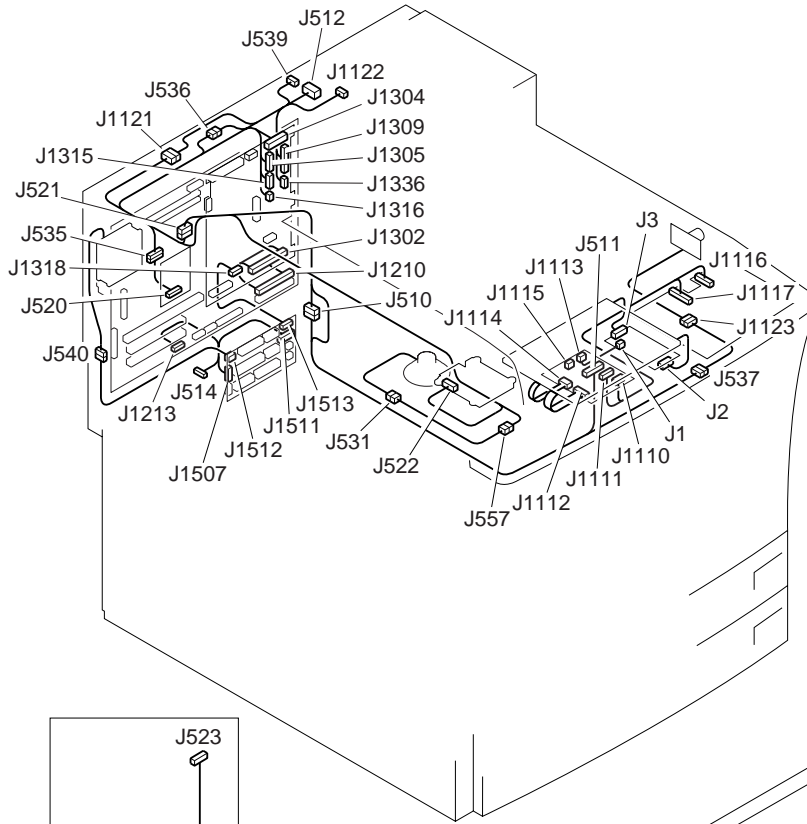


FIGURE B LIST OF CONNECTORS (3/7)

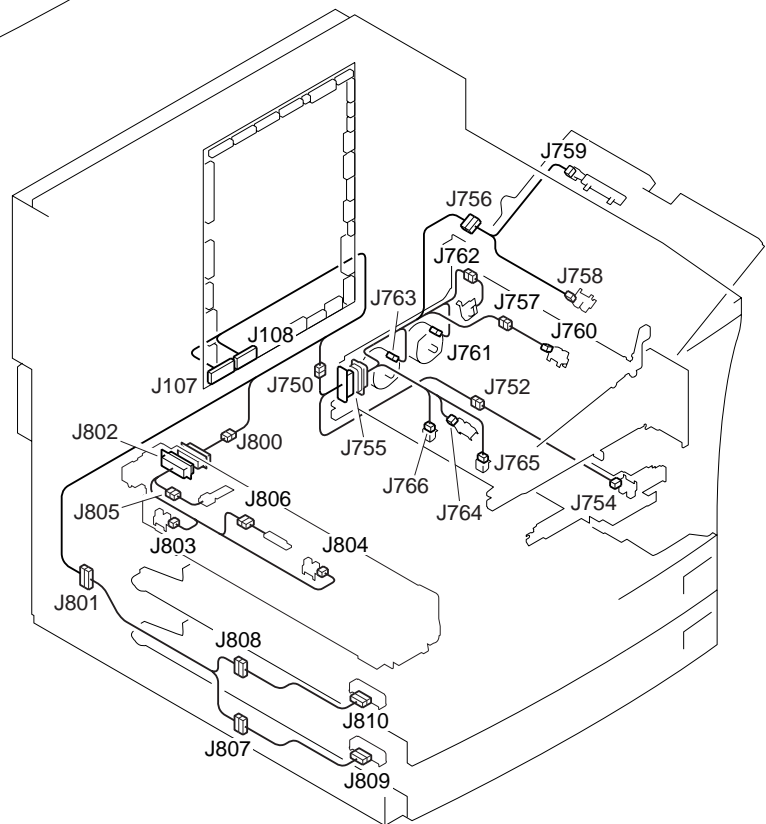
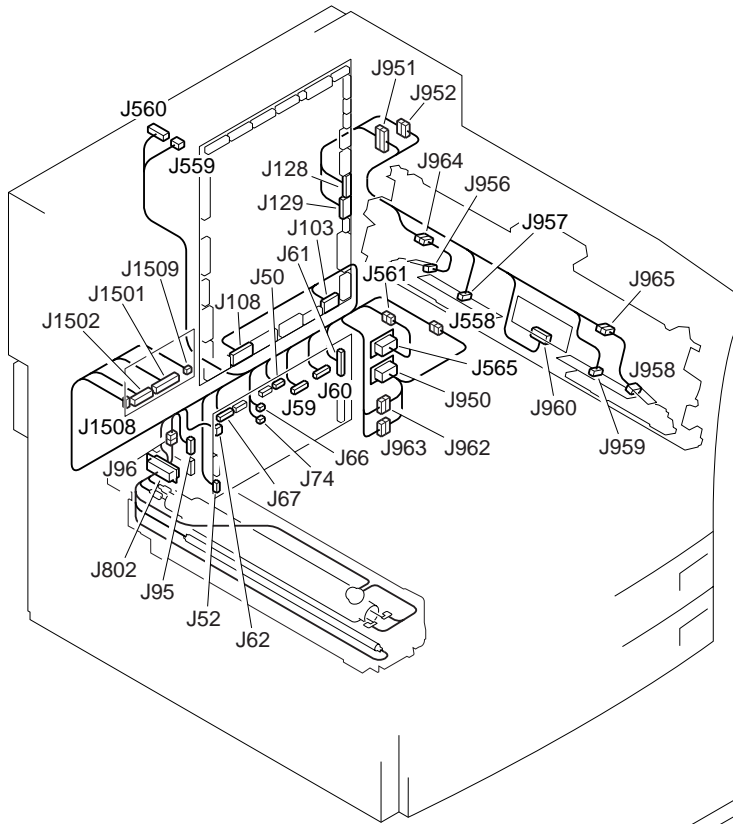


FIGURE B LIST OF CONNECTORS (4/7)

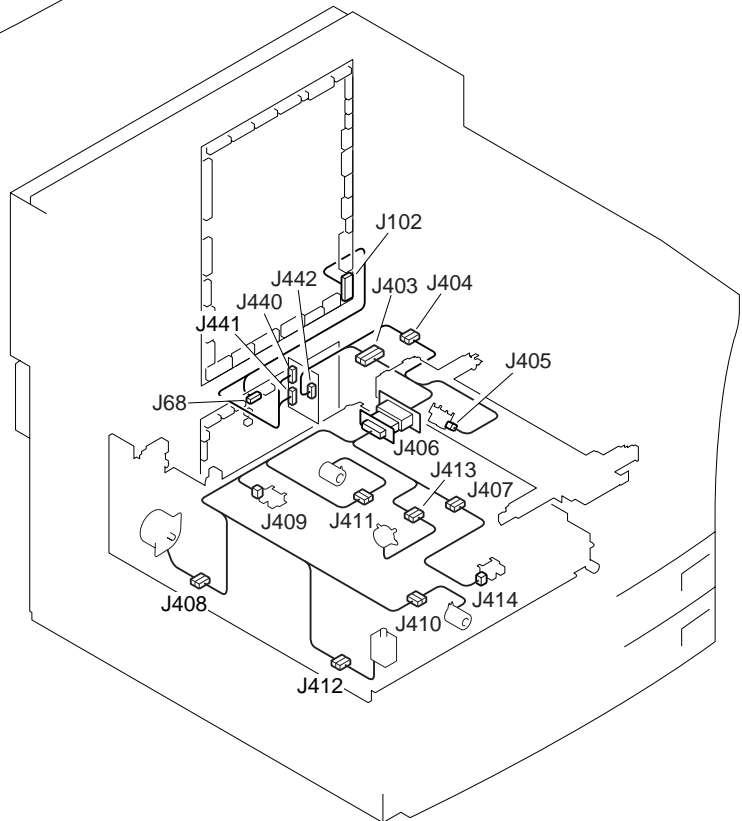
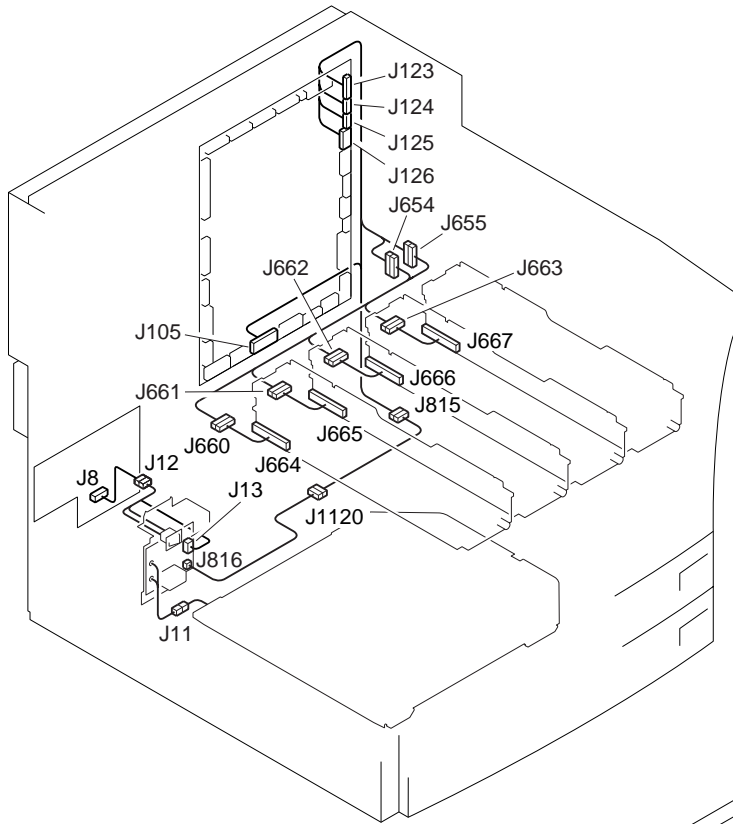


FIGURE B LIST OF CONNECTORS (5/7)

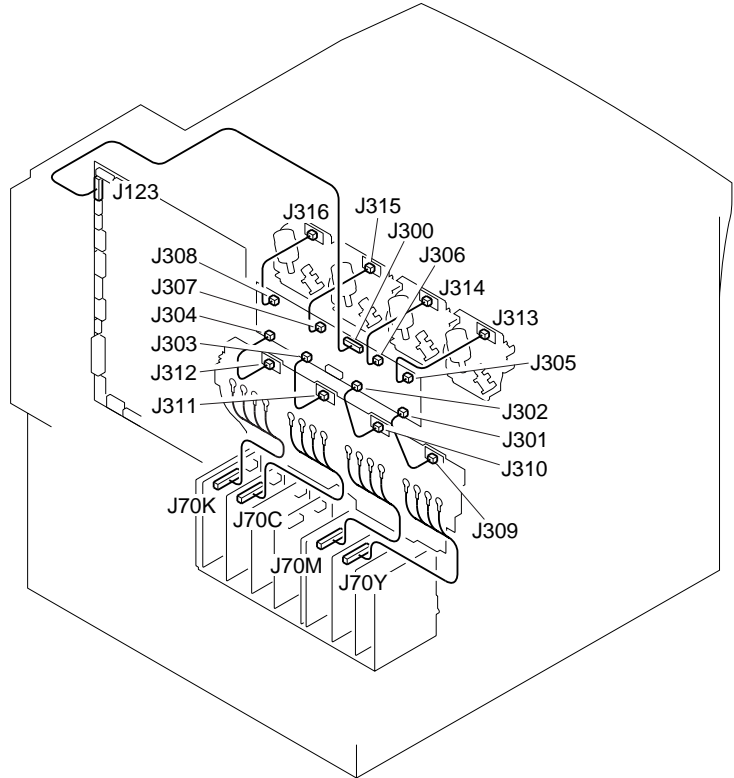
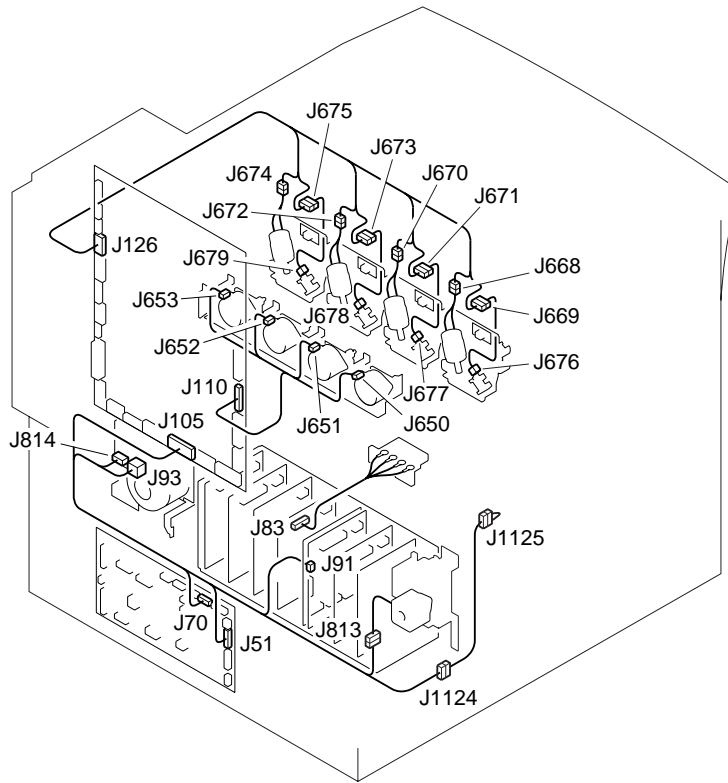


FIGURE B LIST OF CONNECTORS (6/7)

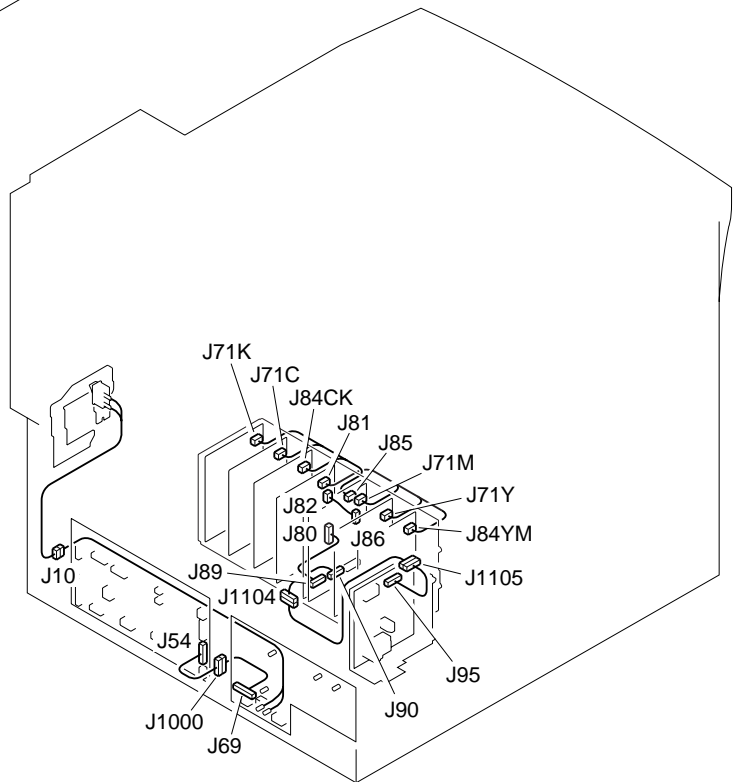
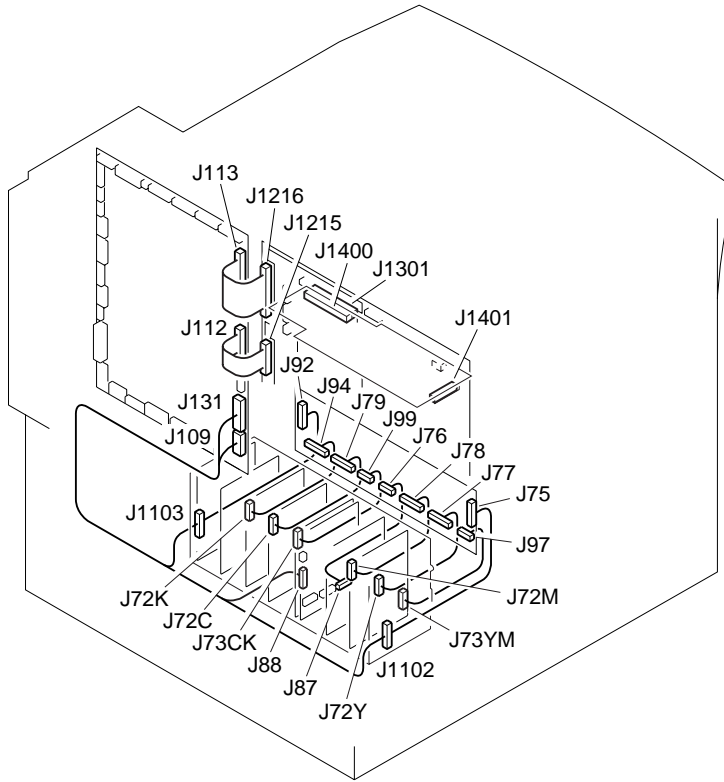


FIGURE B LIST OF CONNECTORS (7/7)

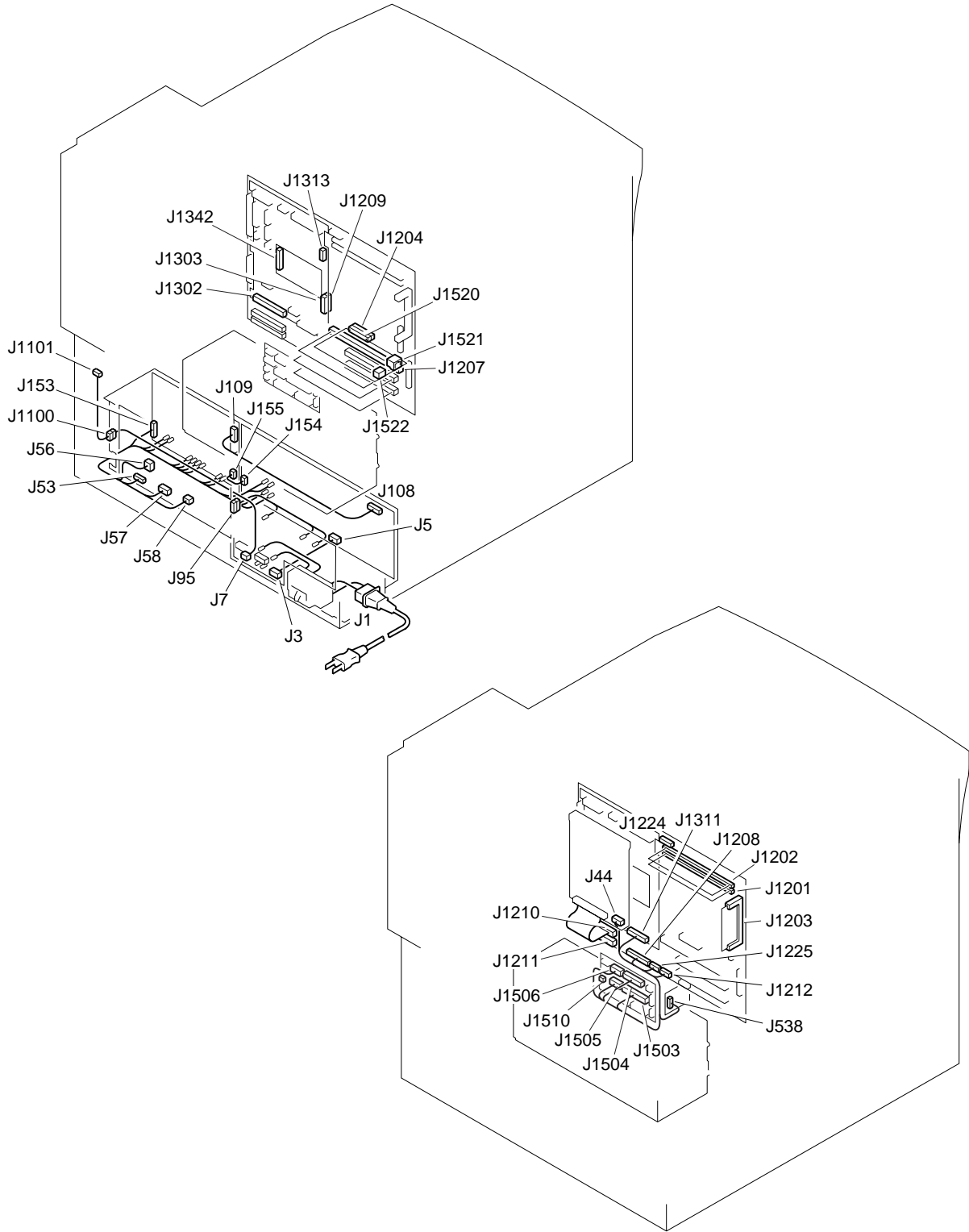


FIGURE & KEY NO.	PART NUMBER	RANK	QTY	DESCRIPTION	SERIAL NUMBER / REMARKS
B -	NPN		RF	LIST OF CONNECTORS	
J1	PCB			INVERTER	
	VS1-6321-002		1	CONNECTOR, 2P, FEMALE	
	WS5-5074-000		1	CONNECTOR, INLET	
J2	PCB			INVERTER	
J3	NPN			LCD CONTROL PANEL	
	PCB			INVERTER	
	NPN			LCD CONTROL PANEL	
	PCB			HEATER DRIVER BOARD	
	VS3-5084-003		1	CONNECTOR, 3P, FEMALE	
J5	WS3-5159-000		2	PIN CONTACT, 18-22AWG	
	PCB			DCP1	
	VS3-5083-003		1	CONNECTOR, 3P, FEMALE	
	WS3-5160-000		2	SOCKET CONTACT, 18-24AWG	
J7	PCB			HEATER DRIVER BOARD	
J8	VS3-5084-002		1	CONNECTOR, 2P, FEMALE	
	WS3-5159-000		2	PIN CONTACT, 18-22AWG	
	PCB			HEATER DRIVER BOARD	
	VS3-5084-004		1	CONNECTOR, 4P, FEMALE	
	WS3-5159-000		2	PIN CONTACT, 18-22AWG	
J10	VS1-6380-002		1	CONNECTOR, 2P, MALE	
	VS3-5121-002		1	CONNECTOR, 2P, MALE	
	WS3-5291-000		2	PIN CONTACT	
	WS3-5292-000		2	SOCKET CONTACT	
J11	PCB			CASSETTE HEATER	
J12	NPN			CASSETTE HEATER	
	VS4-0001-003		1	CONNECTOR, 3P, MALE	
	VS4-0002-003		1	CONNECTOR, 3P, FEMALE	
	WS4-0217-000		2	SOCKET CONTACT, 22-18AWG	
	WS4-0219-000		2	PIN CONTACT, 18-22AWG	

FIGURE & KEY NO.	PART NUMBER	RANK	QTY	DESCRIPTION	SERIAL NUMBER / REMARKS
B - J13	PCB			CASSETTE HEATER	
	VS4-0002-003		1	CONNECTOR, 3P, FEMALE	
	WS4-0217-000		2	SOCKET CONTACT, 22-18AWG	
	J44	NPN		HARD DISC 0	
	X62-5133-000		4	SOCKET, MATE-N-LOCK	

J50	X65-5854-000		1	CONNECTOR, 4P, FEMALE	
	PCB			FUSE BOARD	
J51	VS1-6314-005		1	CONNECTOR, 5P, FEMALE	
	PCB			FUSE BOARD	
	VS1-6314-014		1	CONNECTOR, 14P, MALE	

J52	PCB			FUSE BOARD	
	VS3-5080-002		1	CONNECTOR, 2P, MALE	
J53	WT1-5155-000		2	TERMINAL	
	PCB			FUSE BOARD	
	VS1-0842-009		1	CONNECTOR, 9P, FEMALE	

J54	PCB			FUSE BOARD	
	VS1-5976-012		1	CONNECTOR, 12P, FEMALE	
J56	PCB			FUSE BOARD	
	VS1-6380-006		1	CONNECTOR, 6P, MALE	
	WS3-5292-000		6	SOCKET CONTACT	

J57	PCB			FUSE BOARD	
	VS1-6380-003		1	CONNECTOR, 3P, FEMALE	
J58	WS3-5292-000		2	SOCKET CONTACT	
	PCB			FUSE BOARD	
	VS1-6380-004		1	CONNECTOR, 4P, MALE	

J59	WS3-5292-000		4	SOCKET CONTACT	
	PCB			FUSE BOARD	
	VS1-6361-006		1	CONNECTOR, 6P, MALE	
	WS3-5592-000		6	SOCKET CONTACT, 16-18AWG	
J60	PCB			FUSE BOARD	

FIGURE & KEY NO.	PART NUMBER	RANK	QTY	DESCRIPTION	SERIAL NUMBER / REMARKS
B - J60	VS1-6361-008		1	CONNECTOR, 8P, MALE	
	WS3-5592-000		8	SOCKET CONTACT, 16-18AWG	
	J61 PCB			FUSE BOARD	
	VS1-6302-014		1	CONNECTOR, 14P, MALE	
	WS3-5680-000		12	SOCKET CONTACT, 20-24AWG	
J62	PCB			FUSE BOARD	
	VS3-5083-002		1	CONNECTOR, 2P, FEMALE	
	WS3-5160-000		2	SOCKET CONTACT, 18-24AWG	
J64	PCB			FUSE BOARD	
	VS3-5083-012		1	CONNECTOR, 12P, FEMALE	
J66	WS3-5160-000		12	SOCKET CONTACT, 18-24AWG	
	PCB			FUSE BOARD	
	VS1-5824-002		1	CONNECTOR, 2P, FEMALE	
	WS3-5358-000		2	SOCKET CONTACT, 22-26AWG	
J67	PCB			FUSE BOARD	
J68	VS3-5083-005		1	CONNECTOR, 5P, FEMALE	
	WS3-5160-000		4	SOCKET CONTACT, 18-24AWG	
	PCB			FUSE BOARD	
	VS1-6302-004		1	CONNECTOR, 4P, MALE	
	WS3-5680-000		4	SOCKET CONTACT, 20-24AWG	
J69	PCB			HEATER DRIVER BOARD	
J70	VS1-5976-012		1	CONNECTOR, 12P, FEMALE	
	PCB			FUSE BOARD	
	VS1-6361-004		1	CONNECTOR, 4P, MALE	
	WS3-5759-000		4	PIN CONTACT	
J70C	PCB			HVT1	CYAN
	VS3-5083-013		1	CONNECTOR, 13P, FEMALE	CYAN
	WS3-5160-000		4	SOCKET CONTACT, 18-24AWG	CYAN
J70K	PCB			HVT1	BLACK
	VS3-5083-013		1	CONNECTOR, 13P, FEMALE	BLACK

FIGURE & KEY NO.	PART NUMBER	RANK	QTY	DESCRIPTION	SERIAL NUMBER / REMARKS
B - J70K	WS3-5160-000		4	SOCKET CONTACT, 18-24AWG	BLACK
J70M	PCB			HVT1	MAGENTA
	VS3-5083-013		1	CONNECTOR, 13P, FEMALE	MAGENTA
	WS3-5160-000		4	SOCKET CONTACT, 18-24AWG	MAGENTA
J70Y	PCB			HVT1	YELLOW
	VS3-5083-013		1	CONNECTOR, 13P, FEMALE	YELLOW
	WS3-5160-000		4	SOCKET CONTACT, 18-24AWG	YELLOW
J71	PCB			FUSE BOARD	
	VS1-6302-006		1	CONNECTOR, 6P, MALE	
	WS3-5569-000		4	PIN, CONTACT	
J71C	PCB			HVT1	CYAN
	VS3-5083-003		1	CONNECTOR, 3P, FEMALE	CYAN
	WS3-5160-000		2	SOCKET CONTACT, 18-24AWG	CYAN
J71K	PCB			HVT1	BLACK
	VS3-5083-003		1	CONNECTOR, 3P, FEMALE	BLACK
J71M	WS3-5160-000		2	SOCKET CONTACT, 18-24AWG	BLACK
	PCB			HVT1	MAGENTA
	VS3-5083-003		1	CONNECTOR, 3P, FEMALE	MAGENTA
	WS3-5160-000		2	SOCKET CONTACT, 18-24AWG	MAGENTA
J71Y	PCB			HVT1	YELLOW
J72C	VS3-5083-003		1	CONNECTOR, 3P, FEMALE	YELLOW
	WS3-5160-000		2	SOCKET CONTACT, 18-24AWG	YELLOW
	PCB			HVT1	CYAN
	VS1-6314-016		1	CONNECTOR, 16P, FEMALE	CYAN
J72K	PCB			HVT1	BLACK
J72M	VS1-6314-016		1	CONNECTOR, 16P, FEMALE	BLACK
	PCB			HVT1	MAGENTA
	VS1-6314-016		1	CONNECTOR, 16P, FEMALE	MAGENTA
J72Y	PCB			HVT1	YELLOW
	VS1-6314-016		1	CONNECTOR, 16P, FEMALE	YELLOW

FIGURE & KEY NO.	PART NUMBER	RANK	QTY	DESCRIPTION	SERIAL NUMBER / REMARKS
B - J73CK	PCB			HVT4	CYAN/BLACK
	VS1-6314-010		1	CONNECTOR, 10P, FEMALE	CYAN/BLACK
J73YM	PCB			HVT4	YELLOW/MAGENTA
	VS1-6314-010		1	CONNECTOR, 10P, FEMALE	YELLOW/MAGENTA
J74	PCB			FUSE BOARD	
	VS1-5824-002		1	CONNECTOR, 2P, FEMALE	
	WS3-5358-000		2	SOCKET CONTACT, 22-26AWG	
J75	PCB			HVT1-SUB	
	VS1-6314-020		1	CONNECTOR, 20P, FEMALE	
J76	PCB			HVT1-SUB	
	VS1-6314-012		1	CONNECTOR, 12P, FEMALE	
J77	PCB			HVT1-SUB	
	VS1-6314-016		1	CONNECTOR, 16P, FEMALE	
J78	PCB			HVT1-SUB	
	VS1-6314-016		1	CONNECTOR, 16P, FEMALE	
J79	PCB			HVT1-SUB	
	VS1-6314-016		1	CONNECTOR, 16P, FEMALE	
J80	PCB			HVT2	
	VS1-6314-013		1	CONNECTOR, 13P, FEMALE	
J81	PCB			HVT2	
	VS3-5083-004		1	CONNECTOR, 4P, FEMALE	
	WS3-5160-000		3	SOCKET CONTACT, 18-24AWG	
J82	PCB			HVT2	
	VS3-5083-005		1	CONNECTOR, 5P, FEMALE	
	WS3-5160-000		3	SOCKET CONTACT, 18-24AWG	
J83	PCB			HVT2	
	VS3-5083-007		1	CONNECTOR, 7P, FEMALE	
	WS3-5160-000		4	SOCKET CONTACT, 18-24AWG	
J84CK	PCB			HVT4	CYAN/BLACK
	VS3-5083-005		1	CONNECTOR, 5P, FEMALE	CYAN/BLACK

FIGURE & KEY NO.	PART NUMBER	RANK	QTY	DESCRIPTION	SERIAL NUMBER / REMARKS
B - J84CK	WS3-5160-000		3	SOCKET CONTACT, 18-24AWG	CYAN/BLACK
J84YM	PCB			HVT4	YELLOW/MAGENTA
	VS3-5083-005		1	CONNECTOR, 5P, FEMALE	YELLOW/MAGENTA
	WS3-5160-000		3	SOCKET CONTACT, 18-24AWG	YELLOW/MAGENTA
J85	PCB			HVT2-SUB	
	VS3-5083-004		1	CONNECTOR, 4P, FEMALE	
	WS3-5160-000		3	SOCKET CONTACT, 18-24AWG	
J86	PCB			HVT2-SUB	
	VS3-5083-005		1	CONNECTOR, 5P, FEMALE	
	WS3-5160-000		3	SOCKET CONTACT, 18-24AWG	
J87	PCB			HVT2-SUB	
	VS1-6314-012		1	CONNECTOR, 12P, FEMALE	
J88	PCB			MICRO SWITCH	
	WS3-5358-000		2	SOCKET CONTACT, 22-26AWG	
	VS1-5824-003		1	CONNECTOR, 3P, FEMALE	
	PCB			HVT2-SUB	
	VS1-6314-020		1	CONNECTOR, 20P, FEMALE	
J89	PCB			HVT2-SUB	
	VS1-6314-013		1	CONNECTOR, 13P, FEMALE	
J90	PCB			HVT2-SUB	
	VS1-6314-010		1	CONNECTOR, 10P, FEMALE	
J91	PCB			HV2-SUB	
	VS1-6302-002		1	CONNECTOR, 2P, MALE	
	WS3-5680-000		2	SOCKET CONTACT, 20-24AWG	
J92	PCB			HVT1-SUB	
	VS1-6313-020		1	CONNECTOR, 20P, FEMALE	
J93	NPN			DRUM ITB MOTOR	M1
	VS1-6361-002		1	CONNECTOR, 2P, MALE	
	WS3-5759-000		2	PIN CONTACT	
J94	PCB			HVT1-SUB	

FIGURE & KEY NO.	PART NUMBER	RANK	QTY	DESCRIPTION	SERIAL NUMBER / REMARKS
B - J94	VS1-6314-016		1	CONNECTOR, 16P, FEMALE	
J95	PCB			HVT3	
	VS1-6314-010		1	CONNECTOR, 10P, FEMALE	
	VS1-6380-003		1	CONNECTOR, 3P, FEMALE	
	VS3-5121-003		1	CONNECTOR, 3P, MALE	
	WS3-5291-000		3	PIN CONTACT	
	WS3-5292-000		3	SOCKET CONTACT	
J96	VS1-5729-002		1	CONNECTOR, 2P, MALE	
	VS3-5083-002		1	CONNECTOR, 2P, FEMALE	
	WS3-5160-000		2	SOCKET CONTACT, 18-24AWG	
	WS3-5301-000		2	PIN CONTACT	
J97	PCB			HVT1-SUB	
	VS1-6314-010		1	CONNECTOR, 10P, FEMALE	
J98	VS1-5057-006		1	CONNECTOR, SNAP TIGHT	
	VS1-5824-006		2	CONNECTOR, 6P, FEMALE	
	WS3-5358-000		8	SOCKET CONTACT, 22-26AWG	
J99	PCB			HVT1-SUB	
	VS1-6314-010		1	CONNECTOR, 10P, FEMALE	
J100	PCB			DC CONTROLLER	
	VS3-5083-012		1	CONNECTOR, 12P, FEMALE	
	WS3-5160-000		12	SOCKET CONTACT, 18-24AWG	
J102	PCB			DC CONTROLLER	
	VS1-6313-013		1	CONNECTOR, 13P, FEMALE	
	VS1-6314-013		1	CONNECTOR, 13P, FEMALE	
	VT2-5161-026		1	HOLDER, CONNECTOR, 26P	
J103	PCB			DC CONTROLLER	
	VS1-5452-007		1	CONNECTOR, 7P, FEMALE	
	VS1-6084-007		1	CONNECTOR, 7P, FEMALE	
	VS1-6197-014		1	CONNECTOR HOUSING	
J104	PCB			DC CONTROLLER	

FIGURE & KEY NO.	PART NUMBER	RANK	QTY	DESCRIPTION	SERIAL NUMBER / REMARKS
B - J104	VS1-6313-014		1	CONNECTOR, 14P, FEMALE	
	VS1-6314-014		1	CONNECTOR, 14P, MALE	
	VT2-5161-028		1	HOLDER, CONNECTOR, 28P	
	J105 PCB			DC CONTROLLER	
	VS1-6313-017		1	CONNECTOR, 17P, FEMALE	
J106	VS1-6314-017		1	CONNECTOR, 17P, FEMALE	
	VT2-5161-034		1	HOLDER, CONNECTOR, 34P	
	J106 PCB			DC CONTROLLER	
	VS1-5824-002		1	CONNECTOR, 2P, FEMALE	
	WS3-5358-000		2	SOCKET CONTACT, 22-26AWG	
J107	J107 PCB			DC CONTROLLER	
	VS1-6313-016		1	CONNECTOR, 16P, FEMALE	
	VS1-6314-016		1	CONNECTOR, 16P, FEMALE	
	VT2-5161-032		1	HOLDER, CONNECTOR, 32P	
J108	J108 PCB			DCP1	
J109	WS3-5231-000		5	PIN CONTACT	
	VS3-0276-007		1	CONNECTOR, 7P, FEMALE	
	J109 PCB			DC CONTROLLER	
	VT2-5161-026		1	HOLDER, CONNECTOR, 26P	
	VS1-6313-013		1	CONNECTOR, 13P, FEMALE	
J110	VS1-6314-013		1	CONNECTOR, 13P, FEMALE	
	J110 PCB			DCP2	
	WS3-5569-000		5	PIN, CONTACT	
	VS1-6302-007		1	CONNECTOR, 7P, FEMALE	
J110	J110 PCB			DC CONTROLLER	
	VT2-5161-022		1	HOLDER, CONNECTOR, 22P	
	VS1-6313-011		1	CONNECTOR, 11P, FEMALE	
	VS1-6314-011		1	CONNECTOR, 11P, FEMALE	
	VS1-6314-016		1	CONNECTOR, 16P, FEMALE	

FIGURE & KEY NO.	PART NUMBER	RANK	QTY	DESCRIPTION	SERIAL NUMBER / REMARKS
B - J111	PCB			DC CONTROLLER	
	VS1-6314-008		1	CONNECTOR, 8P, FEMALE	
J112	PCB			DC CONTROLLER	
	VS1-6407-032		1	CONNECTOR, 32P, FEMALE	
J113	PCB			DC CONTROLLER	
J114	VS1-6407-080		1	CONNECTOR, 80P, FEMALE	
	PCB			DC CONTROLLER	
	VS1-5824-013		1	CONNECTOR, 13P, FEMALE	
J115	WS3-5358-000		12	SOCKET CONTACT, 22-26AWG	
	PCB			DC CONTROLLER	
J116	VS1-6225-012		1	CONNECTOR, 12P, FEMALE	
	PCB			DC CONTROLLER	
	VS1-5824-012		1	CONNECTOR, 12P	
J117	WS3-5358-000		12	SOCKET CONTACT, 22-26AWG	
	PCB			DC CONTROLLER	
J118	VS1-6225-018		1	CONNECTOR, 18P, FEMALE	
	VS1-6226-036		1	HOLDER, CONNECTOR, 36P	
	VS1-6507-018		1	CONNECTOR, 18P, FEMALE	
	PCB			DC CONTROLLER	
	VS1-5824-013		1	CONNECTOR, 13P, FEMALE	
J120	WS3-5358-000		12	SOCKET CONTACT, 22-26AWG	
	PCB			DC CONTROLLER	
	VS1-5824-012		1	CONNECTOR, 12P	
J123	WS3-5358-000		12	SOCKET CONTACT, 22-26AWG	
	PCB			DC CONTROLLER	
J124	VS1-6314-014		1	CONNECTOR, 14P, MALE	
	PCB			DC CONTROLLER	
J125	VS1-6930-008		1	CONNECTOR, 8P, FEMALE	
	PCB			DC CONTROLLER	
	VS1-6930-009		1	CONNECTOR, 9P, FEMALE	

FIGURE & KEY NO.	PART NUMBER	RANK	QTY	DESCRIPTION	SERIAL NUMBER / REMARKS
B - J126	PCB			DC CONTROLLER	
	VS1-6313-010		1	CONNECTOR, 10P, FEMALE	
	VS1-6314-010		1	CONNECTOR, 10P, FEMALE	
	VT2-5161-020		1	HOLDER, CONNECTOR, 20P	
J127	PCB		DC CONTROLLER		
J128	VS1-6313-013		1	CONNECTOR, 13P, FEMALE	
	VS1-6314-013		1	CONNECTOR, 13P, FEMALE	
	VT2-5161-026		1	HOLDER, CONNECTOR, 26P	
	PCB			DC CONTROLLER	
J129	VS1-6314-014		1	CONNECTOR, 14P, MALE	
	PCB			DC CONTROLLER	
J131	VS1-6313-010		1	CONNECTOR, 10P, FEMALE	
	VS1-6314-010		1	CONNECTOR, 10P, FEMALE	
	VT2-5161-020		1	HOLDER, CONNECTOR, 20P	
	PCB			DC CONTROLLER	
J132	VS1-6313-020		1	CONNECTOR, 20P, FEMALE	
	VS1-6314-020		1	CONNECTOR, 20P, FEMALE	
	VT2-5161-040		1	HOLDER, CONNECTOR, 40P	
	PCB			DC CONTROLLER	
J153	VS1-6314-014		1	CONNECTOR, 14P, MALE	
	PCB			DCP2	
J154	VS1-5976-009		1	CONNECTOR, 9P, FEMALE	
	PCB			DCP1	
J155	VS1-5976-004		1	CONNECTOR, 4P, MALE	
	PCB			DCP2	
J300	VS1-0842-004		1	CONNECTOR, 4P, FEMALE	
	PCB			MEMORY SWITCH	
J301	VS1-6314-014		1	CONNECTOR, 14P, MALE	
	PCB			MEMORY SWITCH	
	VS1-0842-003		1	CONNECTOR, 3P, FEMALE	

FIGURE & KEY NO.	PART NUMBER	RANK	QTY	DESCRIPTION	SERIAL NUMBER / REMARKS
B - J302	PCB			MEMORY SWITCH	
	VS1-0842-003		1	CONNECTOR, 3P, FEMALE	
J303	PCB			MEMORY SWITCH	
	VS1-0842-003		1	CONNECTOR, 3P, FEMALE	
J304	PCB			MEMORY SWITCH	
	VS1-0842-003		1	CONNECTOR, 3P, FEMALE	
J305	PCB			MEMORY SWITCH	
	VS1-0842-003		1	CONNECTOR, 3P, FEMALE	
J306	PCB			MEMORY SWITCH	
	VS1-0842-003		1	CONNECTOR, 3P, FEMALE	
J307	PCB			MEMORY SWITCH	
	VS1-0842-003		1	CONNECTOR, 3P, FEMALE	
J308	PCB			MEMORY SWITCH	
	VS1-0842-003		1	CONNECTOR, 3P, FEMALE	
J309	NPN			DRUM UNIT ANTENNA	YELLOW
	VS1-6225-003		1	CONNECTOR, 3P, FEMALE	YELLOW
J310	NPN			DRUM UNIT ANTENNA	MAGENTA
	VS1-6225-003		1	CONNECTOR, 3P, FEMALE	MEGENTA
J311	NPN			DRUM UNIT ANTENNA	CYAN
	VS1-6225-003		1	CONNECTOR, 3P, FEMALE	CYAN
J312	NPN			DRUM UNIT ANTENNA	BLACK
	VS1-6225-003		1	CONNECTOR, 3P, FEMALE	BLACK
J313	NPN			TONER CARTRIDGE ANTENNA	YELLOW
	VS1-0842-003		1	CONNECTOR, 3P, FEMALE	YELLOW
J314	NPN			TONER CARTRIDGE ANTENNA	MAGENTA
	VS1-0842-003		1	CONNECTOR, 3P, FEMALE	MAGENTA
J315	NPN			TONER CARTRIDGE ANTENNA	CYAN
	VS1-0842-003		1	CONNECTOR, 3P, FEMALE	CYAN
J316	NPN			TONER CARTRIDGE ANTENNA	BLACK
	VS1-0842-003		1	CONNECTOR, 3P, FEMALE	BLACK

FIGURE & KEY NO.	PART NUMBER	RANK	QTY	DESCRIPTION	SERIAL NUMBER / REMARKS
B - J403	VS1-6313-013		2	CONNECTOR, 13P, FEMALE	DUPLEX TYPE
	VS1-6314-013		2	CONNECTOR, 13P, FEMALE	DUPLEX TYPE
	VS1-6319-026		1	CONNECTOR, SNAP TIGHT	DUPLEX TYPE
	VT2-5161-026		2	HOLDER, CONNECTOR, 26P	DUPLEX TYPE
	J404	VS1-6314-004		2	CONNECTOR, 4P, FEMALE
J405	VS1-6318-004		1	CONNECTOR, SNAP TIGHT	DUPLEX TYPE
	NPN			DUPLEXING PICK-UP SENSOR	DUPLEX TYPE PS24
	VS1-6321-003		1	CONNECTOR, 3P, FEMALE	DUPLEX TYPE
J406	VS1-6313-012		2	CONNECTOR, 12P, FEMALE	DUPLEX TYPE
	VS1-6314-013		2	CONNECTOR, 13P, FEMALE	DUPLEX TYPE
J407	VS1-6919-025		1	CONNECTOR, DRAWER	DUPLEX TYPE
	VS1-5057-003		1	CONNECTOR, SNAP TIGHT	DUPLEX TYPE
	VS1-5824-003		1	CONNECTOR, 3P, FEMALE	DUPLEX TYPE
	VS1-6321-003		1	CONNECTOR, 3P, FEMALE	DUPLEX TYPE
	WS3-5358-000		3	SOCKET CONTACT, 22-26AWG	DUPLEX TYPE
J408	NPN			DUPLEXING FEED MOTOR	DUPLEX TYPE M26
	VS1-6321-005		1	CONNECTOR, 5P, FEMALE	DUPLEX TYPE
J409	NPN			DUPLEXING REGIST SENSOR	DUPLEX TYPE PS21
	VS1-6321-003		1	CONNECTOR, 3P, FEMALE	DUPLEX TYPE
J410	NPN			DUPLEXING REGIST CLUTCH	DUPLEX TYPE CL1
J411	VS1-5057-002		1	CONNECTOR, SNAP TIGHT	DUPLEX TYPE
	VS1-6321-002		1	CONNECTOR, 2P, FEMALE	DUPLEX TYPE
	NPN			DUPLEXING PICK-UP CLUTCH	DUPLEX TYPE CL2
	VS1-5057-002		1	CONNECTOR, SNAP TIGHT	DUPLEX TYPE
	VS1-6321-002		1	CONNECTOR, 2P, FEMALE	DUPLEX TYPE
J412	NPN			CROSS PASS SOLENOID 2	DUPLEX TYPE SL5
	VS1-5057-002		1	CONNECTOR, SNAP TIGHT	DUPLEX TYPE
	VS1-6321-002		1	CONNECTOR, 2P, FEMALE	DUPLEX TYPE
J413	NPN			SIDE REGIST MOTOR	DUPLEX TYPE M25
	VS1-5057-006		1	CONNECTOR, SNAP TIGHT	DUPLEX TYPE

FIGURE & KEY NO.	PART NUMBER	RANK	QTY	DESCRIPTION	SERIAL NUMBER / REMARKS
B - J413	VS1-6321-006		1	CONNECTOR, 6P, FEMALE	DUPLEX TYPE
J414	NPN			DUPLEXING SIDE REGIST SENSOR	DUPLEX TYPE PS22
	VS1-5824-003		1	CONNECTOR, 3P, FEMALE	DUPLEX TYPE
	WS3-5358-000		3	SOCKET CONTACT, 22-26AWG	DUPLEX TYPE
J440	PCB			DUPLEX BOARD	DUPLEX TYPE
	VS1-6302-004		1	CONNECTOR, 4P, MALE	
	WS3-5680-000		4	SOCKET CONTACT, 20-24AWG	
J441	PCB			DUPLEX DRIVER	DUPLEX TYPE
	VS1-6313-013		1	CONNECTOR, 13P, FEMALE	
	VS1-6314-013		1	CONNECTOR, 13P, FEMALE	
	VT2-5161-026		1	HOLDER, CONNECTOR, 26P	
J442	PCB			DUPLEX DRIVER	DUPLEX TYPE
	VS1-6313-014		1	CONNECTOR, 14P, FEMALE	DUPLEX TYPE
	VS1-6314-014		1	CONNECTOR, 14P, MALE	DUPLEX TYPE
	VT2-5161-028		1	HOLDER, CONNECTOR, 28P	DUPLEX TYPE
J510	VS1-6313-018		2	CONNECTOR, 18P, FEMALE	
	VS1-6314-018		2	CONNECTOR, 18P, MALE	
	VS1-6319-036		1	CONNECTOR, SNAP TIGHT	
	VT2-5161-036		2	HOLDER, CONNECTOR, 36P	
J511	PCB			OPERATION CPU	
	VS1-6313-018		1	CONNECTOR, 18P, FEMALE	
	VS1-6314-018		1	CONNECTOR, 18P, MALE	
	VT2-5161-036		1	HOLDER, CONNECTOR, 36P	
J512	SYS			TO FAX BOARD	OPTION
	VS1-6313-020		1	CONNECTOR, 20P, FEMALE	
	VS1-6314-020		1	CONNECTOR, 20P, FEMALE	
	VS1-6319-040		1	CONNECTOR, SNAP TIGHT	
	VT2-5161-040		1	HOLDER, CONNECTOR, 40P	
J514	PCB			ASSIST	
	VS1-6321-008		1	CONNECTOR, 8P, FEMALE	

FIGURE & KEY NO.	PART NUMBER	RANK	QTY	DESCRIPTION	SERIAL NUMBER / REMARKS
B - J520	PCB			ECO-ID BOARD	
	VS1-6314-009		1	CONNECTOR, 9P, FEMALE	
J521	VS1-5057-010		1	CONNECTOR, SNAP TIGHT	
	VS1-6321-010		2	CONNECTOR, 10P, FEMALE	
J522	SYS			TO CARD READER	OPTION
	VS1-6314-005		1	CONNECTOR, 5P, FEMALE	
J523	VS1-6321-010		1	CONNECTOR, 10P, FEMALE	S3200
J524	SYS			TO COIN VENDER	OPTION
	VS1-5057-012		1	CONNECTOR, SNAP TIGHT	S3200
	VS1-6321-012		1	CONNECTOR, 12P, MALE	S3200
J531	SYS			TO FAX BOARD	OPTION
	VS1-5057-002		1	CONNECTOR, SNAP TIGHT	
	VS1-6321-002		1	CONNECTOR, 2P, FEMALE	
J535	VS1-6314-008		2	CONNECTOR, 8P, FEMALE	
	VS1-6318-008		1	CONNECTOR, SNAP TIGHT	
J536	VS1-5057-002		1	CONNECTOR, SNAP TIGHT	
	VS1-6321-002		2	CONNECTOR, 2P, FEMALE	
J537	VS1-5057-002		1	CONNECTOR, SNAP TIGHT	
	VS1-6321-002		2	CONNECTOR, 2P, FEMALE	
J538	PCB			FRAM COUNTER BOARD	
J539	VS1-6314-006		1	CONNECTOR, 6P, FEMALE	
	SYS			TO FAX BOARD	OPTION
	VS1-6314-004		1	CONNECTOR, 4P, FEMALE	
J540	NPN			CONTROLLER FAN	FM7
	VS1-5057-003		1	CONNECTOR, SNAP TIGHT	
J557	VS1-6321-003		1	CONNECTOR, 3P, FEMALE	
	SYS			TO FAX BOARD	OPTION
	VS1-5057-002		1	CONNECTOR, SNAP TIGHT	
	VS1-6321-002		2	CONNECTOR, 2P, FEMALE	
J558	VS1-5820-002		1	CONNECTOR, SNAP TIGHT	

FIGURE & KEY NO.	PART NUMBER	RANK	QTY	DESCRIPTION	SERIAL NUMBER / REMARKS
B - J558	VS3-5080-002		2	CONNECTOR, 2P, MALE	
	WT1-5155-000		4	TERMINAL	
J559	NPN			FAX PCIP	
	VS1-5824-002		1	CONNECTOR, 2P, FEMALE	
	WS3-5358-000		2	SOCKET CONTACT, 22-26AWG	
J560	SYS			TO FAX BOARD	OPTION
	VS1-6302-012		1	CONNECTOR, 12P, MALE	
	WS3-5680-000		12	SOCKET CONTACT, 20-24AWG	
J561	VS1-5729-004		1	CONNECTOR, 4P, MALE	
	VS3-5083-004		1	CONNECTOR, 4P, FEMALE	
J562	WS3-5160-000		4	SOCKET CONTACT, 18-24AWG	
	WS3-5301-000		4	PIN CONTACT	
	VS1-5057-004		1	CONNECTOR, SNAP TIGHT	
	VS1-5824-004		2	CONNECTOR, 4P, FEMALE	
	WS3-5358-000		4	SOCKET CONTACT, 22-26AWG	
J564	PCB			MICRO SWITCH	
	VS1-5824-003		1	CONNECTOR, 3P, FEMALE	
	WS3-5358-000		2	SOCKET CONTACT, 22-26AWG	
J565	NPN			TO READER	
	FH2-5825-000		5	PIN CONTACT, 16-20AWG	
J600	FH2-6855-000		1	CONNECTOR, 12P, FEMALE	
	VS1-6225-009		2	CONNECTOR, 9P, FEMALE	
	VS1-6492-009		1	CONNECTOR, SNAP TIGHT	
J601	VS1-6225-009		2	CONNECTOR, 9P, FEMALE	
	VS1-6492-009		1	CONNECTOR, SNAP TIGHT	
J603	VS1-6225-009		2	CONNECTOR, 9P, FEMALE	
	VS1-6492-009		1	CONNECTOR, SNAP TIGHT	
J604	VS1-6225-009		2	CONNECTOR, 9P, FEMALE	
	VS1-6492-009		1	CONNECTOR, SNAP TIGHT	
J605	NPN			SCANNER MOTOR	YELLOW M2

FIGURE & KEY NO.	PART NUMBER	RANK	QTY	DESCRIPTION	SERIAL NUMBER / REMARKS
B - J605	VS1-6225-004		1	CONNECTOR, 4P, FEMALE	YELLOW
J606	NPN			LED MOTOR	YELLOW M16
	VS1-6225-005		1	CONNECTOR, 5P, FEMALE	YELLOW
J607	PCB			BD SENSOR	YELLOW
	VS1-6225-003		1	CONNECTOR, 3P, FEMALE	YELLOW
J608	NPN			LASER SCANNER UNIT	YELLOW
	VS3-5080-012		1	CONNECTOR, 12P, FEMALE	YELLOW
	WT1-5155-000		12	TERMINAL	YELLOW
J609	NPN			SCANNER MOTOR	MAGENTA M3
	VS1-6225-004		1	CONNECTOR, 4P, FEMALE	MAGENTA
J610	NPN			LED MOTOR	MAGENTA M17
	VS1-6225-005		1	CONNECTOR, 5P, FEMALE	MAGENTA
J611	PCB			BD SENSOR	MAGENTA
	VS1-6225-003		1	CONNECTOR, 3P, FEMALE	MAGENTA
J612	NPN			LASER SCANNER UNIT	MAGENTA
	VS3-5080-012		1	CONNECTOR, 12P, FEMALE	MAGENTA
	WT1-5155-000		12	TERMINAL	MAGENTA
J613	NPN			SCANNER MOTOR	CYAN M4
	VS1-6225-004		1	CONNECTOR, 4P, FEMALE	CYAN
J614	NPN			LED MOTOR	CYAN M18
J615	VS1-6225-005		1	CONNECTOR, 5P, FEMALE	CYAN
	PCB			BD SENSOR	CYAN
	VS1-6225-003		1	CONNECTOR, 3P, FEMALE	CYAN
J616	NPN			LASER SCANNER UNIT	CYAN
	VS3-5080-012		1	CONNECTOR, 12P, FEMALE	CYAN
J617	WT1-5155-000		12	TERMINAL	CYAN
	NPN			SCANNER MOTOR	BLACK M5
	VS1-6225-004		1	CONNECTOR, 4P, FEMALE	BLACK
J618	NPN			LED MOTOR	BLACK M19
	VS1-6225-005		1	CONNECTOR, 5P, FEMALE	BLACK

FIGURE & KEY NO.	PART NUMBER	RANK	QTY	DESCRIPTION	SERIAL NUMBER / REMARKS
B - J619	PCB			BD SENSOR	BLACK
	VS1-6225-003		1	CONNECTOR, 3P, FEMALE	BLACK
J620	NPN			LASER SCANNER UNIT	BLACK
	VS3-5080-012		1	CONNECTOR, 12P, FEMALE	BLACK
	WT1-5155-000		12	TERMINAL	BLACK
J650	NPN			DEVELOPING MOTOR	YELLOW M12
	VS1-6321-004		1	CONNECTOR, 4P, FEMALE	YELLOW
J651	NPN			DEVELOPING MOTOR	MAGENTA M13
	VS1-6321-004		1	CONNECTOR, 4P, FEMALE	MAGENTA
J652	NPN			DEVELOPING MOTOR	CYAN M14
	VS1-6321-004		1	CONNECTOR, 4P, FEMALE	CYAN
J653	NPN			DEVELOPING MOTOR	BLACK M15
	VS1-6321-004		1	CONNECTOR, 4P, FEMALE	BLACK
J654	VS1-6910-008		1	CONNECTOR, SNAP TIGHT	
	VS1-6930-008		2	CONNECTOR, 8P, FEMALE	
J655	VS1-6910-009		1	CONNECTOR, SNAP TIGHT	
	VS1-6930-009		2	CONNECTOR, 9P, FEMALE	
J660	NPN			DRUM UNIT	YELLOW
	VS1-6930-002		1	CONNECTOR, 2P, FEMALE	YELLOW
	VS1-6930-003		1	CONNECTOR, 3P, FEMALE	YELLOW
J661	NPN			DRUM UNIT	MAGENTA
	VS1-6930-002		1	CONNECTOR, 2P, FEMALE	MAGENTA
	VS1-6930-003		1	CONNECTOR, 3P, FEMALE	MAGENTA
J662	NPN			DRUM UNIT	CYAN
	VS1-6930-002		1	CONNECTOR, 2P, FEMALE	CYAN
J663	VS1-6930-003		1	CONNECTOR, 3P, FEMALE	CYAN
	NPN			DRUM UNIT	BLACK
	VS1-6930-002		1	CONNECTOR, 2P, FEMALE	BLACK
	VS1-6930-003		1	CONNECTOR, 3P, FEMALE	BLACK
J668	NPN			TONER CARTRIDGE MOTOR	YELLOW M20

FIGURE & KEY NO.	PART NUMBER	RANK	QTY	DESCRIPTION	SERIAL NUMBER / REMARKS
B - J668	VS1-5057-002		1	CONNECTOR, SNAP TIGHT	YELLOW
	VS1-6321-002		1	CONNECTOR, 2P, FEMALE	YELLOW
J669	VS1-5057-003		1	CONNECTOR, SNAP TIGHT	
	VS1-6321-003		2	CONNECTOR, 3P, FEMALE	
J670	NPN		TONER CARTRIDGE MOTOR	MAGENTA M21	
J671	VS1-5057-002		1	CONNECTOR, SNAP TIGHT	MAGENTA
	VS1-6321-002		1	CONNECTOR, 2P, FEMALE	MAGENTA
	VS1-5057-003		1	CONNECTOR, SNAP TIGHT	
	VS1-6321-003		2	CONNECTOR, 3P, FEMALE	
J672	NPN		TONER CARTRIDGE MOTOR	CYAN M22	
J673	VS1-5057-002		1	CONNECTOR, SNAP TIGHT	CYAN
	VS1-6321-002		1	CONNECTOR, 2P, FEMALE	CYAN
	VS1-5057-003		1	CONNECTOR, SNAP TIGHT	
	VS1-6321-003		2	CONNECTOR, 3P, FEMALE	
J674	NPN		TONER CARTRIDGE MOTOR	BLACK M23	
J675	VS1-5057-002		1	CONNECTOR, SNAP TIGHT	BLACK
	VS1-6321-002		1	CONNECTOR, 2P, FEMALE	BLACK
	VS1-5057-003		1	CONNECTOR, SNAP TIGHT	
	VS1-6321-003		2	CONNECTOR, 3P, FEMALE	
J676	NPN		SCREW ROTATE SENSOR	YELLOW PS1	
J677	VS1-6321-003		1	CONNECTOR, 3P, FEMALE	YELLOW
	NPN			SCREW ROTATE SENSOR	MAGENTA PS2
	VS1-6321-003		1	CONNECTOR, 3P, FEMALE	MAGENTA
J678	NPN			SCREW ROTATE SENSOR	CYAN PS3
	VS1-6321-003		1	CONNECTOR, 3P, FEMALE	CYAN
J679	NPN		SCREW ROTATE SENSOR	BLACK PS4	
J700	VS1-6321-003		1	CONNECTOR, 3P, FEMALE	BLACK
	NPN			DELECT COOLING FAN	FM5
	VS1-5057-003		1	CONNECTOR, SNAP TIGHT	
	VS1-6321-003		1	CONNECTOR, 3P, FEMALE	

FIGURE & KEY NO.	PART NUMBER	RANK	QTY	DESCRIPTION	SERIAL NUMBER / REMARKS
B - J701	VS1-6314-009		2	CONNECTOR, 9P, FEMALE	
	VS1-6318-012		1	CONNECTOR, SNAP TIGHT	
J702	VS1-6314-013		2	CONNECTOR, 13P, FEMALE	
	VS1-6318-013		1	CONNECTOR, SNAP TIGHT	
J703	VS1-6314-012		2	CONNECTOR, 12P, FEMALE	

	VS1-6318-009		1	CONNECTOR, SNAP TIGHT	
J704	NPN			VERTICAL PASS MOTOR	M10
	VS1-6321-005		1	CONNECTOR, 5P, FEMALE	
J705	NPN			FACE DOWN DELIVERY MOTOR	M11
	VS1-6321-005		1	CONNECTOR, 5P, FEMALE	

J706	NPN			FACE DOWN DELIVERY SENSOR 2	PS6
	VS1-6321-003		1	CONNECTOR, 3P, FEMALE	
J707	NPN			DELIVERY SWITCHING SOLENOID 1	SL2
	VS1-5057-002		1	CONNECTOR, SNAP TIGHT	
	VS1-6321-002		1	CONNECTOR, 2P, FEMALE	

J708	VS1-5057-005		1	CONNECTOR, SNAP TIGHT	
	VS1-6321-005		2	CONNECTOR, 5P, FEMALE	
J709	NPN			FIXING FEED OPEN SENSOR	PS5
	VS1-6321-003		1	CONNECTOR, 3P, FEMALE	
J710	NPN			DELIVERY TRAY FULL SENSOR	PS8

	VS1-6321-003		1	CONNECTOR, 3P, FEMALE	
J711	NPN			FACE DOWN DELIVERY SENSOR 1	PS12
	VS1-6321-003		1	CONNECTOR, 3P, FEMALE	
J712	NPN			DELIVERY VERTICAL OPEN SENSOR	PS13
	VS1-6321-003		1	CONNECTOR, 3P, FEMALE	

J713	PCB			WASTE TONER DETECT	
	VS1-6321-003		1	CONNECTOR, 3P, FEMALE	
J714	PCB			WASTE TONER LED	
	VS1-6321-002		1	CONNECTOR, 2P, FEMALE	
J716	NPN			CLEANING FAN	FM4

FIGURE & KEY NO.	PART NUMBER	RANK	QTY	DESCRIPTION	SERIAL NUMBER / REMARKS
B - J716	VS1-5057-003		1	CONNECTOR, SNAP TIGHT	
	VS1-6321-003		1	CONNECTOR, 3P, FEMALE	
J720	VS1-5057-004		1	CONNECTOR, SNAP TIGHT	
	VS1-6321-004		2	CONNECTOR, 4P, FEMALE	
J721	NPN			MANUAL COOLING FAN	FM6
J750	VS1-5057-003		1	CONNECTOR, SNAP TIGHT	
	VS1-6321-003		1	CONNECTOR, 3P, FEMALE	
	VS1-6313-015		2	CONNECTOR, 15P, FEMALE	
	VS1-6314-015		2	CONNECTOR, 15P, FEMALE	
	VS1-6319-030		1	CONNECTOR, SNAP TIGHT	
J752	VT2-5161-030		2	HOLDER, CONNECTOR, 30P	
	VS1-6314-003		2	CONNECTOR, 3P, MALE	
	VS1-6318-003		1	CONNECTOR, SNAP TIGHT	
J754	NPN			VERTICAL PASS OPEN SENSOR	PS11
	VS1-6321-003		1	CONNECTOR, 3P, FEMALE	
J755	VS1-6313-015		2	CONNECTOR, 15P, FEMALE	
	VS1-6314-016		2	CONNECTOR, 16P, FEMALE	
	VS1-6919-031		1	CONNECTOR, DRAWER	
	VS1-6920-031		1	CONNECTOR, 31P, MALE	
J756	VS1-5057-006		1	CONNECTOR, SNAP TIGHT	
J757	VS1-6321-006		2	CONNECTOR, 6P, FEMALE	
	VS1-5057-003		1	CONNECTOR, SNAP TIGHT	
	VS1-6321-003		2	CONNECTOR, 3P, FEMALE	
J758	NPN			MULTI FEED LAST SENSOR	PS9
	VS1-6321-003		1	CONNECTOR, 3P, FEMALE	
J759	PCB			SLIDE VOLUME SENSOR	
	VS1-6321-003		1	CONNECTOR, 3P, FEMALE	
J760	NPN			MULTI PAPER SENSOR	PS10
	VS1-6321-003		1	CONNECTOR, 3P, FEMALE	
J761	NPN			REGIST MOTOR	M9

FIGURE & KEY NO.	PART NUMBER	RANK	QTY	DESCRIPTION	SERIAL NUMBER / REMARKS
B - J761	VS1-6321-004		1	CONNECTOR, 4P, FEMALE	
J762	NPN			MANUAL FEED SOLENOID	SL1
	VS1-5057-002		1	CONNECTOR, SNAP TIGHT	
	VS1-6321-002		1	CONNECTOR, 2P, FEMALE	
J763	NPN			REGIST FRONT MOTOR	M8

J764	VS1-6321-004		1	CONNECTOR, 4P, FEMALE	
	NPN			REGIST SENSOR	PS26
	VS1-6320-003		1	CONNECTOR, 3P, MALE	
J765	NPN			FRONT OHP SENSOR	OHP1
	VS1-6321-003		1	CONNECTOR, 3P, FEMALE	

J766	NPN			REAR OHP SENSOR	OHP2
	VS1-6321-003		1	CONNECTOR, 3P, FEMALE	
J768	NPN			MANUAL FEED OPEN SENSOR	PS28
	VS1-6321-003		1	CONNECTOR, 3P, FEMALE	
J769	VS1-6314-008		2	CONNECTOR, 8P, FEMALE	

J800	VS1-6318-008		1	CONNECTOR, SNAP TIGHT	
	VS1-6314-011		2	CONNECTOR, 11P, FEMALE	
	VS1-6318-011		1	CONNECTOR, SNAP TIGHT	
J801	VS1-6313-010		1	CONNECTOR, 10P, FEMALE	
	VS1-6314-010		1	CONNECTOR, 10P, FEMALE	

J802	VS1-6318-010		1	CONNECTOR, SNAP TIGHT	
	VS1-6313-009		1	CONNECTOR, 9P, FEMALE	
	VS1-6314-010		1	CONNECTOR, 10P, FEMALE	
	VS1-6757-009		1	CONNECTOR, 9P	
	VS1-6757-010		1	CONNECTOR, 10P, FEMALE	

	VS1-6917-019		1	CONNECTOR, 19P, FEMALE	
	VS1-6918-019		1	CONNECTOR, 19P, FEMALE	
	WS3-5721-000		14	SOCKET CONTACT	
	WS3-5822-000		3	PIN, CONTACT, AWG 14-18	
	WS3-5824-000		2	SOCKET, CONTACT AWG 20-24	

FIGURE & KEY NO.	PART NUMBER	RANK	QTY	DESCRIPTION	SERIAL NUMBER / REMARKS
B - J803	NPN			FIXING DELI SENSOR	PS25
	VS1-5824-003		1	CONNECTOR, 3P, FEMALE	
	WS3-5730-000		3	SOCKET CONTACT AWG 36-26	
J804	NPN			FIXING ENTRANS SENSOR	PS27
	VS1-5824-003		1	CONNECTOR, 3P, FEMALE	
J805	WS3-5730-000		3	SOCKET CONTACT AWG 36-26	TH2
	NPN			FIXING SUB THERMISTOR	
	VS1-5057-002		1	CONNECTOR, SNAP TIGHT	
	VS1-5824-002		1	CONNECTOR, 2P, FEMALE	
J806	WS3-5730-000		2	SOCKET CONTACT AWG 36-26	TH1
	NPN			FIXING MAIN THERMISTOR	
	VS1-5057-003		1	CONNECTOR, SNAP TIGHT	
	VS1-5824-003		1	CONNECTOR, 3P, FEMALE	
J807	WS3-5730-000		3	SOCKET CONTACT AWG 36-26	
	VS1-6314-005		2	CONNECTOR, 5P, FEMALE	
	VS1-6318-005		1	CONNECTOR, SNAP TIGHT	
J808	VS1-6314-005		2	CONNECTOR, 5P, FEMALE	
	VS1-6318-005		1	CONNECTOR, SNAP TIGHT	
	VS1-6318-005		1	CONNECTOR, SNAP TIGHT	
J809	NPN			CASSETTE 2 SIZE SWITCH	SW3
	VS1-6321-005		1	CONNECTOR, 5P, FEMALE	
J810	NPN			CASSETTE 1 SIZE SWITCH	SW2
	VS1-6321-005		1	CONNECTOR, 5P, FEMALE	
J811	NPN			FRONT DOOR OPEN SENSOR	PS23
	VS1-6321-003		1	CONNECTOR, 3P, FEMALE	
J812	NPN			FIXING FAN	FM2
J813	VS1-5057-003		1	CONNECTOR, SNAP TIGHT	M24
	VS1-6321-003		1	CONNECTOR, 3P, FEMALE	
	NPN			FIXING MOTOR	
	VS1-5057-004		1	CONNECTOR, SNAP TIGHT	
	VS1-6321-004		1	CONNECTOR, 4P, FEMALE	

FIGURE & KEY NO.	PART NUMBER	RANK	QTY	DESCRIPTION	SERIAL NUMBER / REMARKS
B - J814	NPN			DRUM ITB MOTOR	M1
	VS1-6321-008		1	CONNECTOR, 8P, FEMALE	
J815	VS1-5057-002		1	CONNECTOR, SNAP TIGHT	
	VS1-6321-002		2	CONNECTOR, 2P, FEMALE	
J816	PCB			CASSETTE HEATER	
	VS1-6321-002		1	CONNECTOR, 2P, FEMALE	
J820	NPN			EXHAUST FAN	FM3
	VS1-5057-003		1	CONNECTOR, SNAP TIGHT	
	VS1-6321-003		1	CONNECTOR, 3P, FEMALE	
J850	VS1-6314-014		2	CONNECTOR, 14P, MALE	
	VS1-6318-014		1	CONNECTOR, SNAP TIGHT	
J851	VS1-5057-008		1	CONNECTOR, SNAP TIGHT	
	VS1-6321-008		2	CONNECTOR, 8P, FEMALE	
J852	VS1-6313-014		1	CONNECTOR, 14P, FEMALE	
	VS1-6314-014		1	CONNECTOR, 14P, MALE	
	VS1-6318-014		1	CONNECTOR, SNAP TIGHT	
J854	NPN			CASSETTE 1 PICK-UP MOTOR	M6
	VS1-6321-004		1	CONNECTOR, 4P, FEMALE	
J855	NPN			CASSETTE 1 LEVEL B SENSOR	PS15
	VS1-6321-003		1	CONNECTOR, 3P, FEMALE	
J856	NPN			CASSETTE 1 LEVEL A SENSOR	PS14
	VS1-6321-003		1	CONNECTOR, 3P, FEMALE	
J857	NPN			CASSETTE 1 PICK-UP SOLENOID	SL3
	VS1-5057-002		1	CONNECTOR, SNAP TIGHT	
	VS1-6321-002		1	CONNECTOR, 2P, FEMALE	
J858	NPN			CASSETTE 1 RETRY SENSOR	PS16
	VS1-6321-003		1	CONNECTOR, 3P, FEMALE	
J859	NPN			CASSETTE 1 PAPER SENSOR	PS7
	VS1-6321-003		1	CONNECTOR, 3P, FEMALE	
J860	NPN			CASSETTE 2 PICK-UP MOTOR	M7

FIGURE & KEY NO.	PART NUMBER	RANK	QTY	DESCRIPTION	SERIAL NUMBER / REMARKS
B - J860	VS1-6321-004		1	CONNECTOR, 4P, FEMALE	
J861	NPN			CASSETTE 2 LEVEL B SENSOR	PS18
	VS1-6321-003		1	CONNECTOR, 3P, FEMALE	
J862	NPN			CASSETTE 2 LEVEL A SENSOR	PS20
	VS1-6321-003		1	CONNECTOR, 3P, FEMALE	
J863	NPN			CASSETTE 2 PICK-UP SOLENOID	SL4
	VS1-5057-002		1	CONNECTOR, SNAP TIGHT	
	VS1-6321-002		1	CONNECTOR, 2P, FEMALE	
J864	NPN			CASSETTE 2 RETRY SENSOR	PS17
	VS1-6321-003		1	CONNECTOR, 3P, FEMALE	
J865	NPN			CASSETTE 2 PAPER SENSOR	PS19
	VS1-6321-003		1	CONNECTOR, 3P, FEMALE	
J950	SYS			TO CASSETTE PEDESTAL	OPTION
	FH2-6480-000		1	CONNECTOR, FEMALE	
	VS1-5452-007		1	CONNECTOR, 7P, FEMALE	
	VS1-5452-008		1	CONNECTOR, 8P, FEMALE	
	WS3-5596-000		3	PIN CONTACT, 18-24AWG	
J951	VS1-6314-014		2	CONNECTOR, 14P, MALE	
	VS1-6318-014		1	CONNECTOR, SNAP TIGHT	
J952	VS1-6314-006		2	CONNECTOR, 6P, FEMALE	
J953	VS1-6318-006		1	CONNECTOR, SNAP TIGHT	
	VS1-6314-004		2	CONNECTOR, 4P, FEMALE	
	VS1-6318-004		1	CONNECTOR, SNAP TIGHT	
J956	PCB			REAR REGIST SENSOR	
	VS1-6314-003		1	CONNECTOR, 3P, MALE	
J957	PCB			REAR REGIST SENSOR	
	VS1-6314-005		1	CONNECTOR, 5P, FEMALE	
J958	PCB			FRONT REGIST SENSOR	
	VS1-6314-003		1	CONNECTOR, 3P, MALE	
J959	PCB			FRONT REGIST SENSOR	

FIGURE & KEY NO.	PART NUMBER	RANK	QTY	DESCRIPTION	SERIAL NUMBER / REMARKS
B - J959	VS1-6314-005		1	CONNECTOR, 5P, FEMALE	
J960	NPN			SALT SENSOR	TPS1
	VS1-6314-006		1	CONNECTOR, 6P, FEMALE	
J961	NPN			ENV. SENSOR	EV1
	VS1-6321-004		1	CONNECTOR, 4P, FEMALE	
J962	VS1-5452-008		2	CONNECTOR, 8P, FEMALE	
	VS1-5820-008		1	CONNECTOR, SNAP TIGHT	
J963	VS1-5452-007		2	CONNECTOR, 7P, FEMALE	
	VS1-5820-007		1	CONNECTOR, SNAP TIGHT	
J964	VS1-6314-003		2	CONNECTOR, 3P, MALE	
J965	VS1-6318-003		1	CONNECTOR, SNAP TIGHT	
	VS1-6314-003		2	CONNECTOR, 3P, MALE	
	VS1-6318-003		1	CONNECTOR, SNAP TIGHT	
J992	PCB			HEATER DRIVER BOARD	
	NPN			DC POWER FAN	FM1
J1000	VS1-0842-012		2	CONNECTOR, 12P, FEMALE	
	VS1-5057-012		1	CONNECTOR, SNAP TIGHT	
J1100	VS1-5729-002		1	CONNECTOR, 2P, MALE	
	VS3-5083-002		1	CONNECTOR, 2P, FEMALE	
	WS3-5160-000		1	SOCKET CONTACT, 18-24AWG	
J1101	WS3-5301-000		2	PIN CONTACT	
	SYS			TO FAX BOARD	OPTION
	VS3-5083-002		1	CONNECTOR, 2P, FEMALE	
	WS3-5160-000		1	SOCKET CONTACT, 18-24AWG	
J1102	VS1-6314-020		2	CONNECTOR, 20P, FEMALE	
J1103	VS1-6318-020		1	CONNECTOR, SNAP TIGHT	
	VS1-6313-020		2	CONNECTOR, 20P, FEMALE	
	VS1-6318-020		1	CONNECTOR, SNAP TIGHT	
J1104	VS1-6314-010		2	CONNECTOR, 10P, FEMALE	
	VS1-6318-010		1	CONNECTOR, SNAP TIGHT	

FIGURE & KEY NO.	PART NUMBER	RANK	QTY	DESCRIPTION	SERIAL NUMBER / REMARKS
B - J1105	VS1-6314-010		2	CONNECTOR, 10P, FEMALE	
	VS1-6318-010		1	CONNECTOR, SNAP TIGHT	
J1110	PCB			OPERATION CPU	
	VS1-6314-011		1	CONNECTOR, 11P, FEMALE	
J1111	PCB			OPERATION CPU	
	VS1-6314-013		1	CONNECTOR, 13P, FEMALE	
J1112	PCB			OPERATION CPU	
	NPN			LCD CONTROL PANEL	
J1113	PCB			OPERATION CPU	
	VS1-6321-003		1	CONNECTOR, 3P, FEMALE	
J1114	PCB			OPERATION CPU	
	NPN			LCD CONTROL PANEL	
J1115	SYS			TO FOOT SWITCH	OPTION
	PCB			OPERATION CPU	
J1116	PCB			OPERATION KEY	
	VS1-6314-011		1	CONNECTOR, 11P, FEMALE	
J1117	PCB			OPERATION KEY	
	VS1-6314-013		1	CONNECTOR, 13P, FEMALE	
J1120	VS1-5057-003		1	CONNECTOR, SNAP TIGHT	
	VS1-6321-003		2	CONNECTOR, 3P, FEMALE	
J1121	VS1-6313-018		2	CONNECTOR, 18P, FEMALE	
	VS1-6314-018		2	CONNECTOR, 18P, MALE	
J1122	VS1-6319-036		1	CONNECTOR, SNAP TIGHT	
	VT2-5161-036		2	HOLDER, CONNECTOR, 36P	
J1123	SYS			TO FAX BOARD	OPTION
	VS1-6321-002		1	CONNECTOR, 2P, FEMALE	
J1124	PCB			KEY SWITCH	
	VS1-6321-002		1	CONNECTOR, 2P, FEMALE	
J1124	VS1-6314-003		2	CONNECTOR, 3P, MALE	
	VS1-6318-003		1	CONNECTOR, SNAP TIGHT	

FIGURE & KEY NO.	PART NUMBER	RANK	QTY	DESCRIPTION	SERIAL NUMBER / REMARKS
B - J1125	VS1-6314-003		2	CONNECTOR, 3P, MALE	OPTION
	VS1-6318-003		1	CONNECTOR, SNAP TIGHT	
	J1204	PCB		CONTROLLER MAIN BOARD	
	J1207	SYS		TO SURF BOARD	
	PCB		CONTROLLER MAIN BOARD		
J1208	PCB		CONTROLLER MAIN BOARD		
	VS1-6361-010		1	CONNECTOR, 10P, FEMALE	
	WS3-5592-000		10	SOCKET CONTACT, 16-18AWG	
J1209	PCB			CONTROLLER MAIN BOARD	
	PCB			PC INTERFACE	
J1210	PCB			CONTROLLER MAIN BOARD	
	FH2-7019-000		1	FLAT CABLE, HDD, 2	
J1211	PCB			CONTROLLER MAIN BOARD	
J1213	PCB			CONTROLLER MAIN BOARD	
	VS1-6314-008		1	CONNECTOR, 8P, FEMALE	
J1215	PCB			CONTROLLER MAIN BOARD	
	VS1-6407-032		1	CONNECTOR, 32P, FEMALE	
J1216	PCB			CONTROLLER MAIN BOARD	
	VS1-6407-080		1	CONNECTOR, 80P, FEMALE	
J1224	PCB			CONTROLLER MAIN BOARD	
	PCB			PC INTERFACE	
J1225	PCB			CONTROLLER MAIN BOARD	
	VS1-6314-006		1	CONNECTOR, 6P, FEMALE	
J1301	PCB			CONTROLLER SUB BOARD	
J1302	PCB			CONTROLLER SUB BOARD	
J1303	PCB			CONTROLLER SUB BOARD	
J1304	PCB			CONTROLLER SUB BOARD	
	VS1-6313-018		1	CONNECTOR, 18P, FEMALE	
	VS1-6314-018		1	CONNECTOR, 18P, MALE	
	VT2-5161-036		1	HOLDER, CONNECTOR, 36P	

FIGURE & KEY NO.	PART NUMBER	RANK	QTY	DESCRIPTION	SERIAL NUMBER / REMARKS
B - J1305	PCB			CONTROLLER SUB BOARD	
	VS1-6314-010		1	CONNECTOR, 10P, FEMALE	
J1309	PCB			CONTROLLER SUB BOARD	
	VS1-6313-020		1	CONNECTOR, 20P, FEMALE	
	VS1-6314-020		1	CONNECTOR, 20P, FEMALE	
	VT2-5161-040		1	HOLDER, CONNECTOR, 40P	
J1311	PCB			CONTROLLER SUB BOARD	
	VS1-6302-012		1	CONNECTOR, 12P, MALE	
	WS3-5680-000		12	SOCKET CONTACT, 20-24AWG	
J1315	PCB			CONTROLLER SUB BOARD	
J1316	VS1-6314-008		1	CONNECTOR, 8P, FEMALE	
	PCB			CONTROLLER SUB BOARD	
	VS1-6314-002		1	CONNECTOR, 2P, FEMALE	
J1318	PCB			CONTROLLER SUB BOARD	
	VS1-6314-006		1	CONNECTOR, 6P, FEMALE	
J1336	PCB			CONTROLLER SUB BOARD	
	VS1-6314-004		1	CONNECTOR, 4P, FEMALE	
J1342	PCB			CONTROLLER SUB BOARD	
	PCB			SRAM BOARD	
J1400	PCB			DDI-S BOARD	
J1401	NPN			TO READER	
	PCB			DDI-S BOARD	
J1501	PCB			DISTRIBUTE BOARD	
	VS1-6361-008		1	CONNECTOR, 8P, MALE	
	WS3-5592-000		8	SOCKET CONTACT, 16-18AWG	
J1502	PCB			DISTRIBUTE BOARD	
	VS1-6361-006		1	CONNECTOR, 6P, MALE	
	WS3-5592-000		6	SOCKET CONTACT, 16-18AWG	
J1503	PCB			DISTRIBUTE BOARD	
	VS1-6361-010		1	CONNECTOR, 10P, FEMALE	

FIGURE & KEY NO.	PART NUMBER	RANK	QTY	DESCRIPTION	SERIAL NUMBER / REMARKS
B - J1503	WS3-5592-000		10	SOCKET CONTACT, 16-18AWG	
J1504	PCB			DISTRIBUTE BOARD	
	VS1-6302-012		1	CONNECTOR, 12P, MALE	
J1505	WS3-5680-000		12	SOCKET CONTACT, 20-24AWG	
	PCB			DISTRIBUTE BOARD	
	VS1-6361-004		1	CONNECTOR, 4P, MALE	
	WS3-5759-000		4	PIN CONTACT	
J1507	PCB			DISTRIBUTE BOARD	
	VS1-6314-008		1	CONNECTOR, 8P, FEMALE	
J1508	PCB			DISTRIBUTE BOARD	
	VS1-6314-005		1	CONNECTOR, 5P, FEMALE	
J1509	PCB			DISTRIBUTE BOARD	
	VS1-5824-002		1	CONNECTOR, 2P, FEMALE	
J1510	WS3-5358-000		2	SOCKET CONTACT, 22-26AWG	
	PCB			DISTRIBUTE BOARD	
	VS1-6321-002		1	CONNECTOR, 2P, FEMALE	S3200
J1511	PCB			DISTRIBUTE BOARD	
	VS1-6321-008		1	CONNECTOR, 8P, FEMALE	
J1512	PCB			DISTRIBUTE BOARD	
	VS1-6321-003		1	CONNECTOR, 3P, FEMALE	
J1513	PCB			DISTRIBUTE BOARD	
	VS1-6314-006		1	CONNECTOR, 6P, FEMALE	
J1520	SYS			TO USB INTERFACE BOARD	OPTION

Paper Deck-P1

[A4 SIZE F24 - 6357 XJY00001 -
LTR SIZE F24 - 6367 XJZ00001 -]

FIGURE RA ASSEMBLY LOCATION DIAGRAM

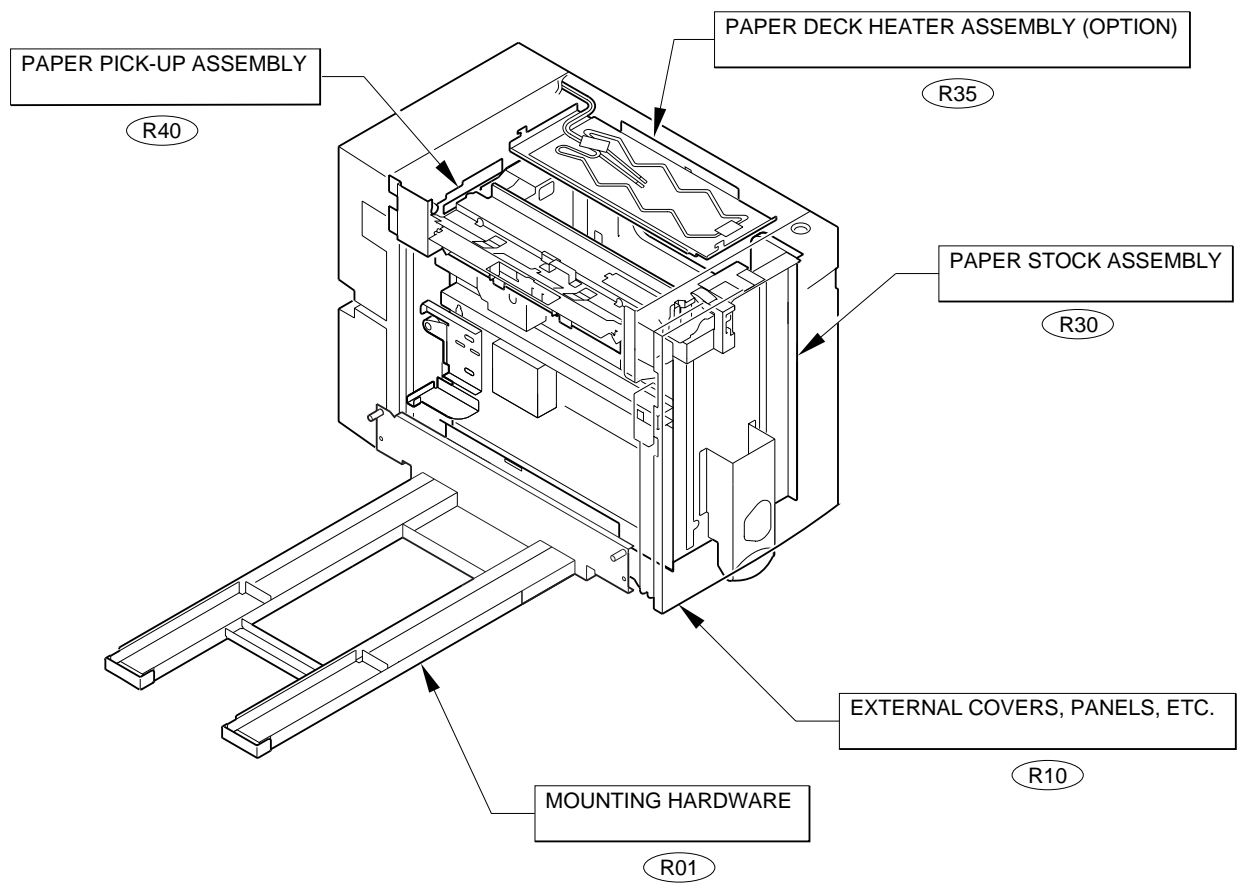


FIGURE R01 MOUNTING HARDWARE

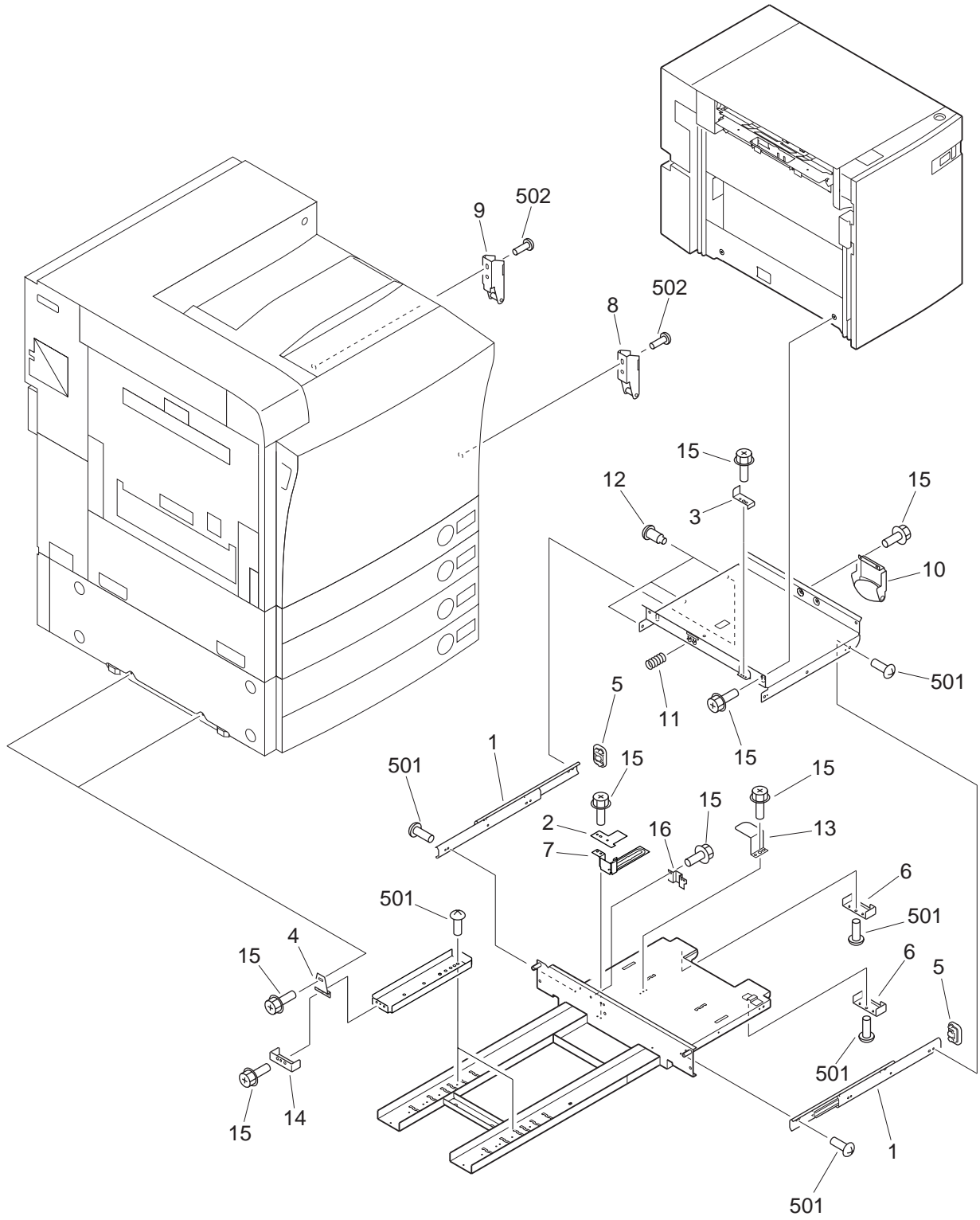


FIGURE & KEY NO.	PART NUMBER	RANK	QTY	DESCRIPTION	SERIAL NUMBER / REMARKS
R01 -	NPN		RF	MOUNTING HARDWARE	
1	FB4-4867-000		2	RAIL, FRAME SLIDE	
2	FB4-4937-000		1	FLAG, SLIDE, UPPER	
3	FB4-4919-000		1	PLATE, DECK STOPPER	
4	FB6-3925-000		2	PLATE, FIXING, LEFT	
5	FB4-4932-000		2	CAP, RAIL	
6	FB4-4933-000		2	COVER, BOTTOM CROSSMEMBER	
7	FB4-4938-000		1	FLAG, SLIDE, LOWER	
8	FF6-2121-000		1	PLATE, LATCH, FRONT	
9	FF6-2122-000		1	PLATE, LATCH, REAR	
10	FF6-0315-000		1	SUPPORT, ROLLER	
11	FS6-2897-000		1	SPRING, COMPRESSION	
12	FS1-9002-000		3	SCREW, STEPPED, M4X5	
13	FB4-4918-000		1	PLATE, DECK SENSOR FLAG	
14	FB4-4939-000		2	COVER, BOTTOM CROSSMEMBER, 2	
15	XA9-0732-000		10	SCREW, RS, M4X8	
16	FB6-4872-000		1	SPACER, DECK DETECT	
501	XB1-2400-609		15	SCREW, MACH., TRUSS HEAD, M4X6	
502	XB1-2400-809		4	SCREW, MACH., TRUSS HEAD, M4X8	

FIGURE R10 EXTERNAL COVERS, PANELS, ETC.

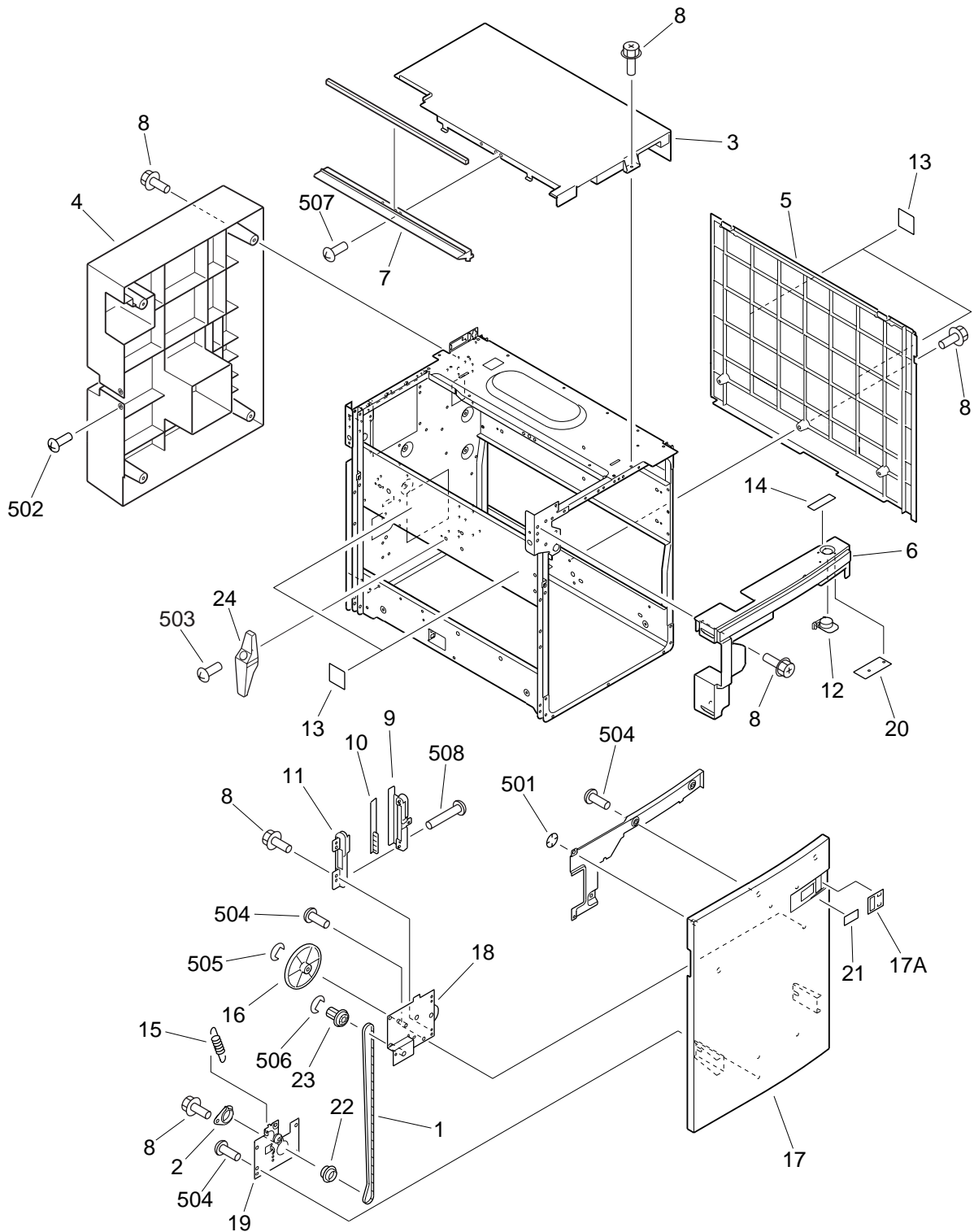


FIGURE & KEY NO.	PART NUMBER	RANK	QTY	DESCRIPTION	SERIAL NUMBER / REMARKS
R10 -	NPN		RF	EXTERNAL COVERS, PANELS, ETC.	
1	XF2-3228-532		1	BELT,DRIVE	
2	FB3-9270-000		1	BUSHING	
3	FB6-3905-000		1	PANEL, UPPER	
4	FB6-3900-000		1	PANEL, REAR	
5	FB6-3901-000		1	PANEL, RIGHT	
6	FB6-3915-000		1	COVER, SWITCH	
7	FF6-2120-000		1	GUIDE, DECK	
8	XA9-0732-000		15	SCREW,RS,M4X8	
9	FB3-9291-000		1	MOUNT, PAPER INDEX, RIGHT	
10	FB3-9292-000		1	TAPE, PAPER INDEX	
11	FB3-9293-000		1	MOUNT, PAPER INDEX, LEFT	
12	FB3-9711-000		1	BUTTON, RELEASE	
13	FB3-9749-000		4	LABEL, "HANDLE"	
14	FB6-3904-000		1	LABEL, "DECK OPEN"	
15	FS6-2677-000		1	SPRING, TENSION	
16	FS6-0913-000		1	GEAR, 18T/96T	
17	FF6-2119-000		1	PANEL, FRONT	
17A	FB3-9732-000		1	PANEL, PAPER INDEX	
18	FF5-6163-000		1	PAPER QUANTITY INDICATOR UNIT	
19	FF5-6164-020		1	TENSIONER	
20	FG5-9288-000		1	SWITCH PCB ASSEMBLY	
21	FS7-8327-000		1	LABEL, PAPER SIZE	
22	FS7-0423-000		1	PULLEY,41T	
23	FS6-0912-000		1	PULLEY, 32T/GEAR, 15T	
24	FB6-3924-000		1	GUIDE, SLOPE	
501	XD2-2300-402		1	RING,TOOTHED LOCK	
502	XB1-2300-806		2	SCREW,MACH.,TRUSS HEAD,M3X8	
503	XB1-2400-806		1	SCREW,MACH.,TRUSS HEAD,M4X8	
504	XB4-7400-807		8	SCREW,TAPPING,TRUSS HEAD,M4X8	

FIGURE R11

INTERNAL COMPONENTS

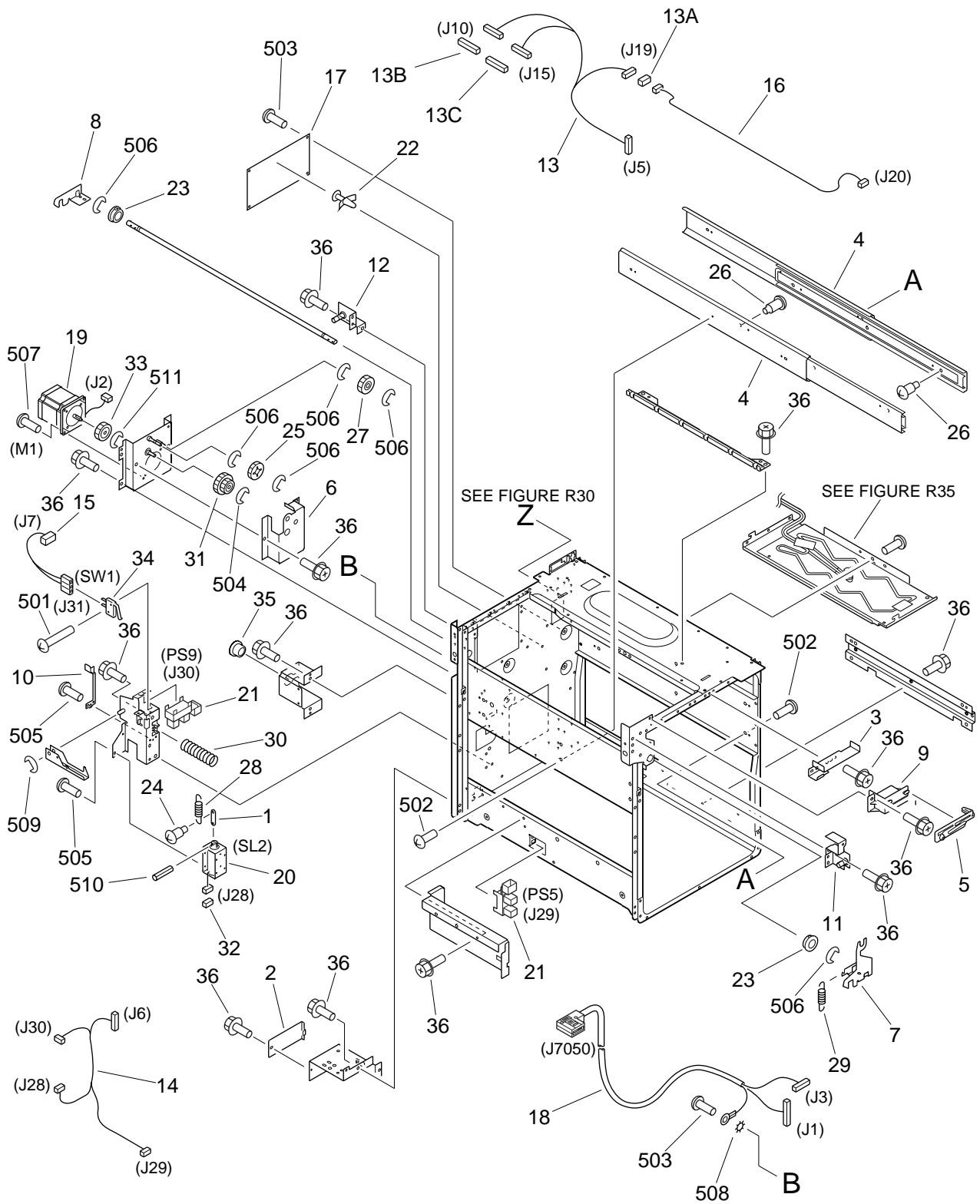
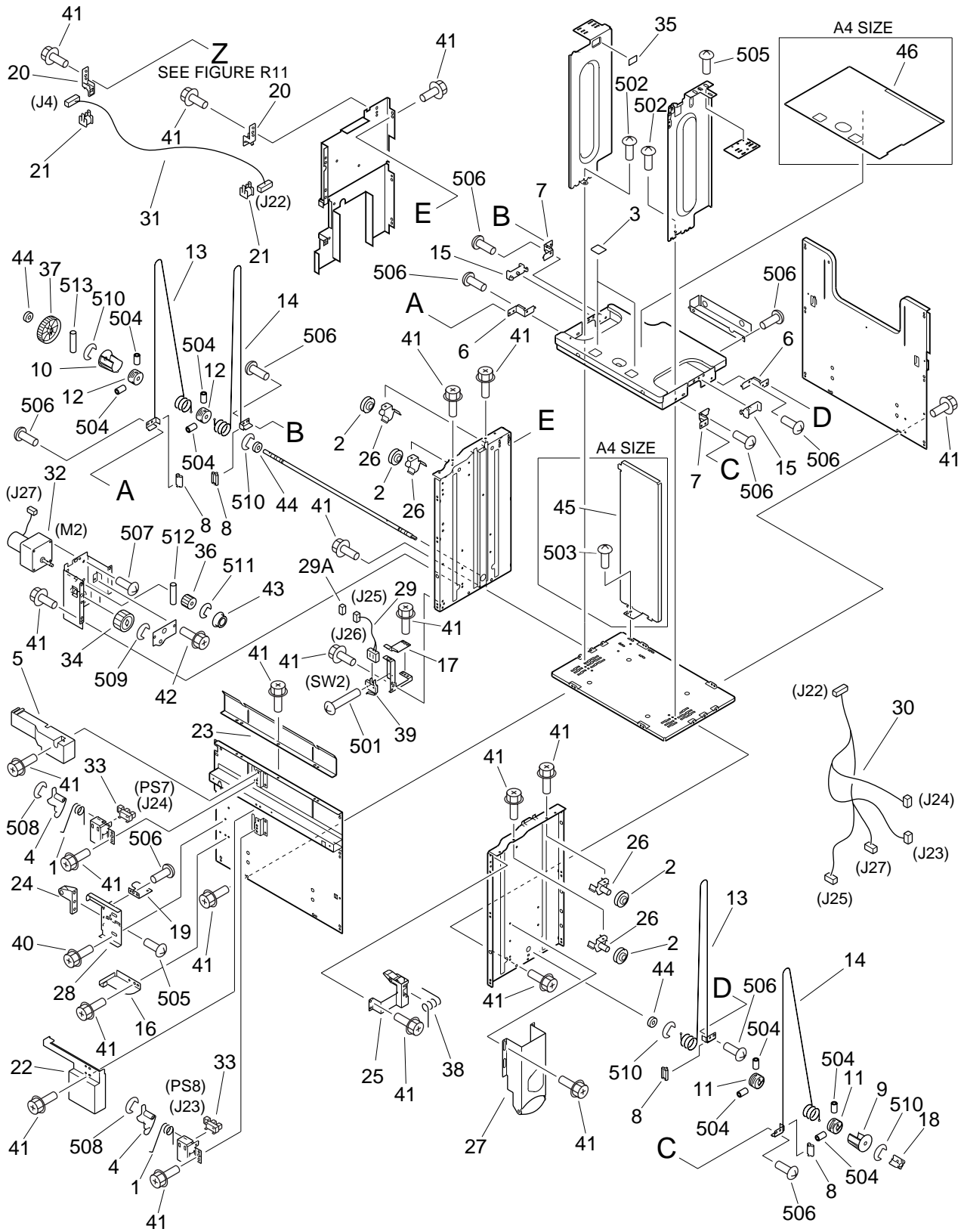


FIGURE & KEY NO.	PART NUMBER	RANK	QTY	DESCRIPTION	SERIAL NUMBER / REMARKS
R11 -	NPN		RF	INTERNAL COMPONENTS	
1	FA6-7751-000		1	ARM, LOCK	
2	FB6-3907-000		1	COVER, CONNECTOR	
3	FB3-9260-000		1	PLATE, CAM RELEASE	
4	FB3-9261-000		2	RAIL, SLIDE	
5	FB3-9290-000		1	LINK, RELEASE LEVER	
6	FB5-5422-000		1	COVER, GEAR	
7	FB4-4877-000		1	HOOK, FRONT	
8	FB4-4878-000		1	HOOK, REAR	
9	FB6-3910-000		1	COVER, RELEASE LEVER	
10	FB4-4929-000		1	SPRING, LEAF	
11	FF5-7535-000		1	PIN, DECK, FRONT	
12	FF5-7536-000		1	PIN, DECK, REAR	
13	FG3-1712-000		1	CABLE, FRAME, 1	J5,10,15,19
13A	VS1-5057-004		1	CONNECTOR, SNAP TIGHT	J19
13B	VS1-5057-010		1	CONNECTOR, SNAP TIGHT	J10
13C	VS1-5057-014		1	CONNECTOR, SNAP TIGHT	J15
14	FG6-2528-000		1	CABLE, FRAME, 2	J6,28,29,30
15	FG6-2529-000		1	CABLE, PAPER STOCK SWITCH	J7,31
16	FG6-1646-000		1	CABLE, LED SWITCH	J19,20
17	FG3-1711-000		1	DECK CONTROLLER PCB ASSEMBLY	
18	FG3-1713-000		1	CABLE, INTERFACE	J1,3,7050
19	FH6-1915-000		1	MOTOR, STEPPING	M1 J2
20	FH7-5828-000		1	SOLENOID, DC24V	SL2 J28
21	FH7-7462-000		2	PHOTO-INTERRUPTER	PS5,9 J29,30
22	VT2-0002-003		1	SPACER, SUPPORT	
23	FS1-1189-000		2	BUSHING	
24	FS1-9009-000		1	SCREW, STEPPED, M3	
25	FS2-0544-000		1	GEAR, 24T	
26	FS2-9343-000		4	SCREW, STEPPED, M4	

FIGURE & KEY NO.	PART NUMBER	RANK	QTY	DESCRIPTION	SERIAL NUMBER / REMARKS
R11 - 27	FS2-0545-000		1	GEAR, 28T	
28	FS6-2593-000		1	SPRING, TENSION	
29	FS6-2674-000		1	SPRING, TENSION	
30	FS6-2676-000		1	SPRING, COMPRESSION	
31	FS7-0802-000		1	GEAR, 20T/35T	
32	VS1-5057-002		1	CONNECTOR, SNAP TIGHT	J28
33	FS7-0801-000		1	GEAR, 24T	
34	WC4-5153-000		1	MICRO SWITCH	SW1 J31
35	X62-6825-000		1	BUSHING	
36	XA9-0732-000		AR	SCREW,RS,M4X8	
501	XB1-2231-009		1	SCREW,MACH.,TRUSS HEAD,M2.3X10	
502	XB1-2400-609		12	SCREW,MACH.,TRUSS HEAD,M4X6	
503	XB1-2400-806		8	SCREW,MACH.,TRUSS HEAD,M4X8	
504	XD2-1100-502		1	RING,E	
505	XB6-7300-409		3	SCREW,TP,M3X4	
506	XD2-1100-642		6	RING,E	
507	XB1-2400-609		2	SCREW,MACH.,TRUSS HEAD,M4X6	
508	XD1-4200-402		1	WASHER,TOOTHED LOCK	
509	XD2-1100-502		1	RING,E	
510	XD3-1300-102		1	PIN,SPRING	
511	XD2-1100-402		1	RING,E	

FIGURE R30

PAPER STOCK ASSEMBLY



NOTE: This assembly does not include the parts shown with key No. 16, 18, 27, 45, 46 and 503.

FIGURE & KEY NO.	PART NUMBER	RANK	QTY	DESCRIPTION	SERIAL NUMBER / REMARKS
R30 -	FG6-9637-000		1	PAPER STOCK ASSEMBLY	
1	FB5-0553-000		2	SPRING, TORSION	
2	FA6-8257-000		4	PULLEY	
3	FB6-4854-000		2	SHEET, SEPARATION	
4	FB2-9248-000		2	ARM, PAPER SENSOR	
5	FB3-9235-000		1	COVER, SENSOR	
6	FB3-9237-000		2	PLATE, WIRE STOP, RIGHT	
7	FB3-9238-000		2	PLATE, WIRE STOP, LEFT	
8	FB3-9240-000		4	BLOCK, WIRE GUIDE	
9	FB3-9241-000		1	GUIDE, PULLEY, FRONT	
10	FB3-9242-000		1	GUIDE, PULLEY, REAR	
11	FB3-9243-000		2	PULLEY, DRIVE, FRONT	
12	FB3-9244-000		2	PULLEY, DRIVE, REAR	
13	FB4-9706-000		2	WIRE, DRIVE, RIGHT	
14	FB4-9705-000		2	WIRE, DRIVE, LEFT	
15	FB3-9714-000		2	BLOCK, LIFTER PLATE SLIDE	
16	FB3-9720-000		1	PLATE, PAPER STOCK STOP	SEE NOTE
17	FB3-9723-000		1	SPRING, LEAF	
18	FB3-9735-000		1	COUPLING	SEE NOTE
19	FB3-9742-000		1	FLAG, PAPER STOCK SENSOR	
20	FB4-4873-000		2	CLAMP, CORD, UPPER	
21	FB4-4874-000		2	CLAMP, CORD, LOWER	
22	FB4-4882-000		1	COVER, SENSOR, LOWER	
23	FB4-4928-000		1	PLATE, SEPARATION	
24	FF5-5282-030		1	HOLDER, LATCH	
25	FF5-6148-000		1	LEVER, RELEASE	
26	FF5-6160-000		4	MOUNT, PULLEY	
27	FF5-6161-000		1	MOUNT, ROLLER	SEE NOTE
28	FF5-6171-000		1	PLATE, LOCK	
29	FG6-1642-000		1	CABLE, SWITCH	J25,26

FIGURE & KEY NO.	PART NUMBER	RANK	QTY	DESCRIPTION	SERIAL NUMBER / REMARKS
R30 - 29A	VS1-5057-003		1	CONNECTOR, SNAP TIGHT	J25
30	FG6-2534-000		1	CABLE, PAPER STOCK	J22-25,27
31	FG6-2531-000		1	CABLE, PAPER STOCK CONNECTING	J4,22
32	FH7-1791-020		1	MOTOR, DC24V	M2 J27
33	FH7-7312-000		2	PHOTO-INTERRUPTER	PS7,8 J24,23
34	FS2-0450-000		1	GEAR, 32T	
35	FS5-8618-000		1	LABEL, "MAXIMUM LOAD"	
36	FS6-0722-000		1	GEAR, 19T	
37	FS6-0909-000		1	GEAR, 58T	
38	FS6-2673-000		1	SPRING, TORSION	
39	WC4-0153-000		1	MICROSWITCH	SW2 J26
40	XA9-0721-000		2	SCREW,RS,M4X10	
41	XA9-0732-000		47	SCREW,RS,M4X8	
42	XA9-0732-000		2	SCREW,RS,M4X8	
43	XG3-6012-405		1	BALL BEARING, NSK MF126ZZ	
44	XG9-0250-000		3	BEARING, BALL	
45	FB4-9713-000		1	PLATE, END LIMIT	A4 SIZE SEE NOTE
46	FB5-7009-000		1	SHEET, DECK	A4 SIZE SEE NOTE
501	XB1-2231-009		1	SCREW,MACH.,TRUSS HEAD,M2.3X10	
502	XB1-2400-609		2	SCREW,MACH.,TRUSS HEAD,M4X6	
503	XB1-2400-609		1	SCREW,MACH.,TRUSS HEAD,M4X6	A4 SIZE SEE NOTE
504	XB6-2400-808		8	SETSCREW,M4X8	
505	XB6-7400-609		5	SCREW,TP,M4X6	
506	XB6-7400-809		14	SCREW,TP,M4X8	
507	XB6-7400-809		4	SCREW,TP,M4X8	
508	XD2-1100-242		2	RING,E	
509	XD2-1100-502		1	RING,E	
510	XD2-1100-642		4	RING,E	
511	XD2-1100-642		1	RING,E	
512	XD3-2200-122		1	PIN,DOWEL	

FIGURE & KEY NO.	PART NUMBER	R A N K	Q' T Y	DESCRIPTION	SERIAL NUMBER / REMARKS
R30 - 513	XD3-2200-182		1	PIN,DOWEL	

FIGURE R35 PAPER DECK HEATER ASSEMBLY (OPTION)

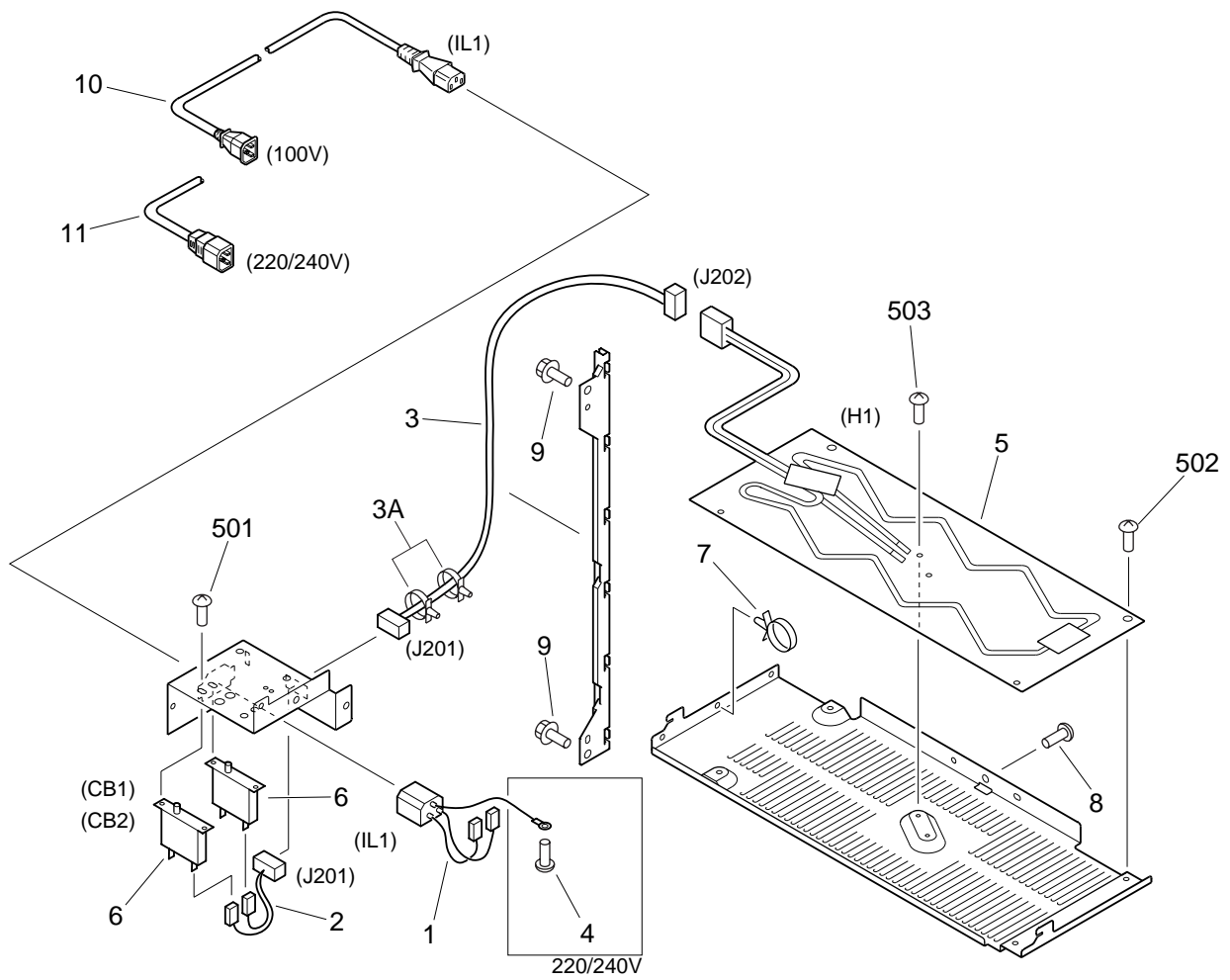
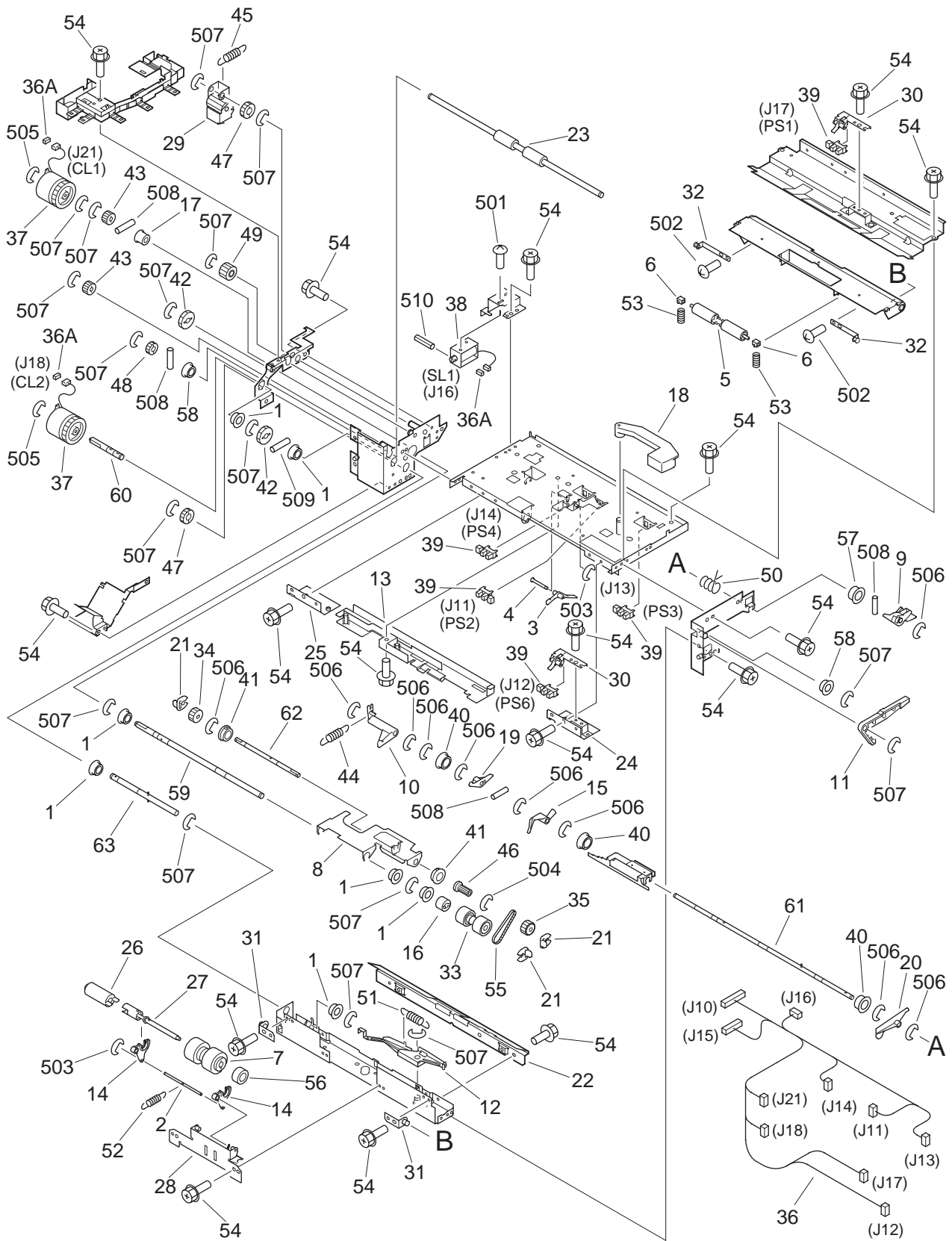


FIGURE & KEY NO.	PART NUMBER	RANK	QTY	DESCRIPTION	SERIAL NUMBER / REMARKS
R35 -	NPN		RF	PAPER DECK HEATER ASSEMBLY	OPTION
1	FF3-3462-000		1	CABLE, SOCKET	100V IL1
	FF3-3463-000		1	CABLE, SOCKET	220/240V IL1
2	FF3-3464-000		1	CABLE, RELAY	100V J201
	FF3-3465-000		1	CABLE, RELAY	220/240V J201
3	FG6-2956-000		1	CABLE, CASSETTE HEATER	J201,202
3A	WT2-5041-000		2	TIE, CABLE	
4	XA9-0266-000		1	SCREW,W/WASHER,M4X8	220/240V
5	FH7-4584-000		1	HEATER, CASSETTE	100/120V H1 J202
	FH7-4585-000		1	HEATER, CASSETTE	220/240V H1 J202
6	VD7-0502-001		2	BREAKER, CIRCUIT, 125VAC 3A	100V CB1,2
	WD3-5057-000		2	BREAKER, CIRCUIT	220/240V CB1,2
7	WT2-5041-000		1	TIE, CABLE	
8	XA9-0266-000		1	SCREW,W/WASHER,M4X8	
9	XA9-0628-000		2	SCREW,RS,M4X8	
10	FH2-6584-000		1	CORD, POWER SUPPLY	100V IL1
11	FH2-6586-000		1	CABLE, POWER CORD	220/240V IL1
501	XB1-2300-409		4	SCREW,MACH.,TRUSS HEAD,M3X4	
502	XB1-2400-409		4	SCREW,MACH.,TRUSS HEAD,M4X4	
503	XB6-7300-409		1	SCREW,TP,M3X4	

FIGURE R40

PAPER PICK-UP ASSEMBLY



NOTE: This assembly does not include the part shown with key No. 18.

FIGURE & KEY NO.	PART NUMBER	RANK	QTY	DESCRIPTION	SERIAL NUMBER / REMARKS
R40 -	FG6-9260-000		1	PAPER PICK-UP ASSEMBLY	
1	FA9-2112-000		7	BUSHING	
2	FB4-6227-000		1	SHAFT, COUNTER	
3	FB2-7720-000		1	LEVER, PAPER	
4	FB2-7721-000		1	SHAFT, LEVER	
5	FG6-9259-000		1	ROLLER	
6	FB2-7755-000		2	BUSHING	
7	FB2-7777-020		1	ROLLER, SEPARATION	
8	FB3-9188-020		1	PLATE, PAPER PICK-UP	
9	FB3-9192-020		1	CAM, FRONT	
10	FB3-9193-020		1	ARM, SOLENOID	
11	FB3-9195-020		1	ARM, SEPARATION RELEASE	
12	FB3-9196-020		1	LEVER, SEPARATION RELEASE	
13	FB3-9206-000		1	COVER, SENSOR	
14	FB3-9207-030		2	ARM, SEPARATION ROLLER	
15	FB3-9214-000		1	FLAG, PAPER SENSOR	
16	FB3-9216-000		1	CLUTCH, ONE-WAY, 1	
17	FB3-9217-000		1	CLUTCH, ONE-WAY, 2	
18	FB3-9289-000		1	LEVER, RELEASE	SEE NOTE
19	FB3-9713-000		1	LEVER, PAPER PICK-UP	
20	FB3-9752-000		1	LEVER, LIMITER	
21	FB4-2007-000		3	RING, RETAINING	
22	FB4-2013-000		1	GUIDE, PICK-UP INLET	
23	FB4-4868-000		1	ROLLER, PAPER FEED	
24	FB4-4898-000		1	PLATE, PAPER FEED GUIDE, FRONT	
25	FB4-4899-000		1	PLATE, PAPER FEED GUIDE, REAR	
26	FB6-0775-000		1	TORQUE, LIMITER	
27	FF5-6338-000		1	SHAFT, SEPARATION	
28	FF5-6157-020		1	MOUNT, SEPARATION ROLLER	
29	FF5-7529-000		1	SWING GEAR, 20T	

FIGURE & KEY NO.	PART NUMBER	RANK	QTY	DESCRIPTION	SERIAL NUMBER / REMARKS
R40 - 30	FF5-7530-000		2	MOUNT, VERT. PATH SENSOR FLAG	
31	FF5-7532-000		2	SUPPORT, GUIDE, LOWER	
32	FF6-1976-000		2	SUPPORT, ROLLER	
33	FF5-7541-000		1	ROLLER, PAPER FEED	
34	FF5-7829-000		1	ROLLER, PAPER PICK-UP, 1	
35	FF5-7830-000		1	ROLLER, PAPER PICK-UP, 2	
36	FG6-1641-000		1	CABLE, PAPER PICK-UP	J10-18,21
36A	VS1-5057-002		3	CONNECTOR, SNAP TIGHT	J16,18,21
37	FH7-5826-000		2	CLUTCH, ELECTROMAGNETIC	CL1,2 J21,18
38	FH7-5827-000		1	SOLENOID	SL1 J16
39	FH7-7312-000		5	PHOTO-INTERRUPTER	PS1-4,6 J17,11,13,14,12
40	FS1-1512-000		3	BUSHING	
41	FS1-1569-000		2	BUSHING	
42	FS2-0484-000		2	GEAR, 25T	
43	FS5-0338-000		2	GEAR, 16T	
44	FS5-2291-000		1	SPRING, TENSION	
45	FS5-2885-000		1	SPRING, TENSION	
46	FS5-3333-000		1	PULLEY, 16T	
47	FS6-0053-020		2	GEAR, 20T	
48	FS6-0091-000		1	GEAR, 16T	
49	FS6-0907-000		1	GEAR, 20T	
50	FS5-7441-000		1	SPRING, TORSION	
51	FS6-2675-000		1	SPRING, TENSION	
52	FS6-2678-000		1	SPRING, TENSION	
53	FS6-2895-000		2	SPRING, COMPRESSION	
54	XA9-0732-000		27	SCREW,RS,M4X8	
55	XF9-0525-000		1	BELT, TIMING, 59T	
56	XG9-0242-000		1	BEARING, BALL	
57	FS5-7442-000		1	BUSHING	
58	FS1-1189-000		2	BUSHING	

FIGURE & KEY NO.	PART NUMBER	RANK	QTY	DESCRIPTION	SERIAL NUMBER / REMARKS
R40 - 59	FB4-4887-000		1	SHAFT, PAPER FEEDER	
60	FB4-4894-000		1	SHAFT, CLUTCH	
61	FF5-6137-000		1	SHAFT, PAPER PICK-UP	
62	FB2-7702-000		1	SHAFT, PICK-UP	
63	FF5-7540-000		1	SHAFT, SEPARATION DRIVE	
501	XB1-2300-409		2	SCREW,MACH.,TRUSS HEAD,M3X4	
502	XB1-2400-609		2	SCREW,MACH.,TRUSS HEAD,M4X6	
503	XD2-1100-242		2	RING,E	
504	XD2-1100-372		1	RING,E	
505	XD2-1100-402		2	RING,E	
506	XD2-1100-502		10	RING,E	
507	XD2-1100-642		17	RING,E	
508	XD3-2200-102		4	PIN,DOWEL	
509	XD3-2200-142		1	PIN,DOWEL	
510	XD3-1300-082		1	PIN,SPRING	

FIGURE RB LIST OF CONNECTORS

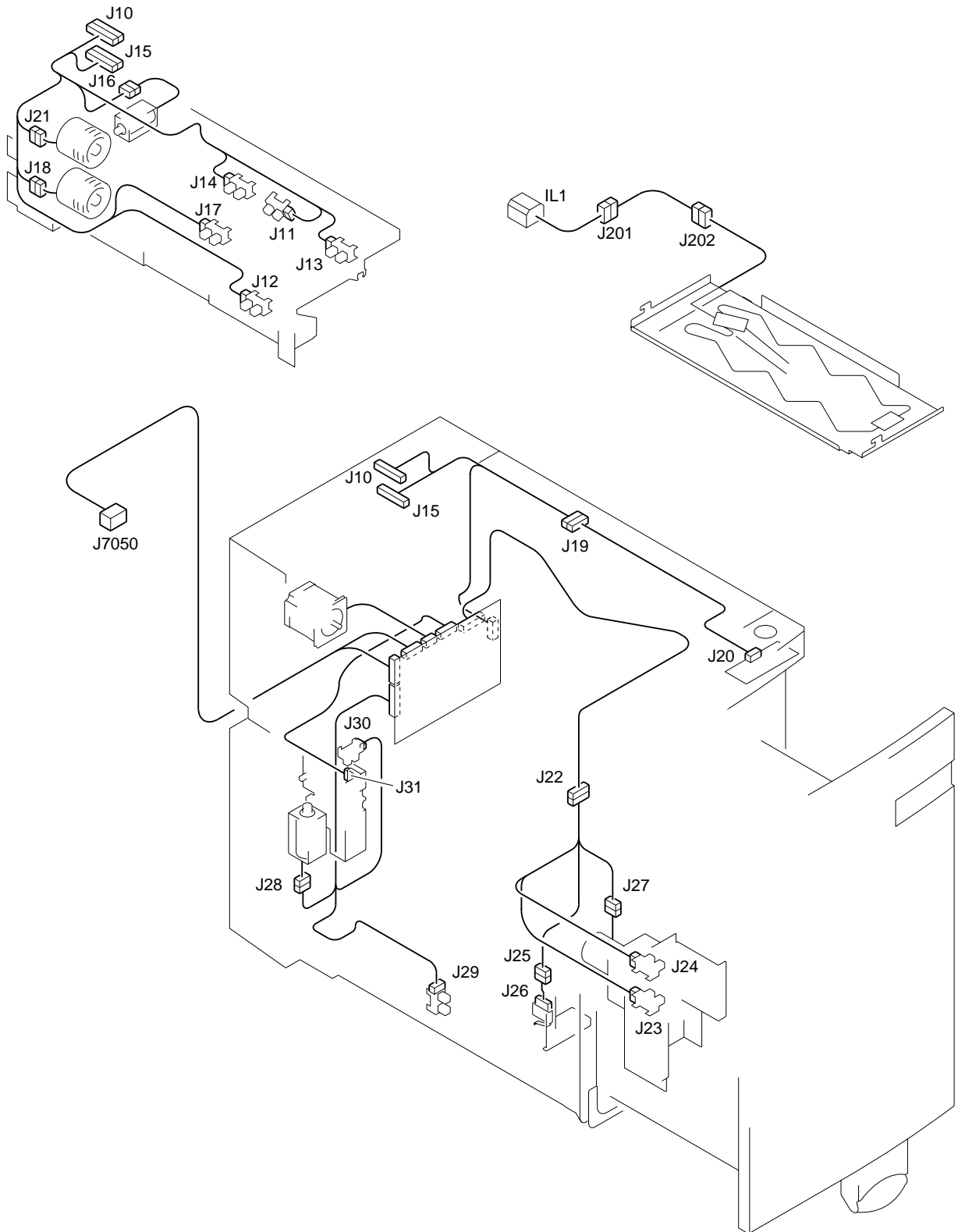


FIGURE & KEY NO.	PART NUMBER	RANK	QTY	DESCRIPTION	SERIAL NUMBER / REMARKS
R B -	NPN		RF	LIST OF CONNECTORS	
IL1	NPN			POWER CORD SUPPLY	OPTION
	WS5-5025-000		1	SOCKET, AC	OPTION
J1	PCB			SIDE DECK DRIVER	
	VS1-0852-007		1	CONNECTOR, 7P, FEMALE	
J2	PCB			SIDE DECK DRIVER	
	NPN			DECK MAIN MOTOR	M1
J3	PCB			SIDE DECK DRIVER	
	VS3-5083-003		1	CONNECTOR, 3P, FEMALE	
	WS3-5160-000		3	SOCKET CONTACT, 18-24AWG	
J4	PCB			SIDE DECK DRIVER	
	VS1-6302-010		1	CONNECTOR, 10P, FEMALE	
	WS3-5569-000		10	PIN, CONTACT	
J5	PCB			SIDE DECK DRIVER	
	VT2-5161-026		1	HOLDER, CONNECTOR, 26P	
	VS1-6313-013		1	CONNECTOR, 13P, FEMALE	
	VS1-6314-013		1	CONNECTOR, 13P, FEMALE	
J6	PCB			SIDE DECK DRIVER	
	VS1-6314-008		1	CONNECTOR, 8P, FEMALE	
J7	PCB			SIDE DECK DRIVER	
	VS1-6302-003		1	CONNECTOR, 3P, FEMALE	
	WS3-5569-000		2	PIN, CONTACT	
J10	VS1-6320-010		1	CONNECTOR, 10P, FEMALE	
	VS1-6321-010		1	CONNECTOR, 10P, FEMALE	
	VS1-5057-010		1	CONNECTOR, SNAP TIGHT	
J11	NPN			DECK PAPER EMPTY SENSOR	PS2
	VS1-6321-003		1	CONNECTOR, 3P, FEMALE	
J12	NPN			DECK PAPER FEED SENSOR	PS6
	VS1-6321-003		1	CONNECTOR, 3P, FEMALE	
J13	NPN			DECK LIFTER UPPER LIMIT SENSOR	PS3

FIGURE & KEY NO.	PART NUMBER	RANK	QTY	DESCRIPTION	SERIAL NUMBER / REMARKS
R B - J13	VS1-6321-003		1	CONNECTOR, 3P, FEMALE	
J14	NPN			DECK LIFTER POSITION SENSOR	PS4
	VS1-6321-003		1	CONNECTOR, 3P, FEMALE	
J15	VS1-6320-014		1	CONNECTOR, 14P, FEMALE	
	VS1-6321-014		1	CONNECTOR, 14P, FEMALE	
	VS1-5057-014		1	CONNECTOR, SNAP TIGHT	
J16	NPN			DECK ROLLER RELEASE SOLENOID	SL1
	VS1-6321-002		1	CONNECTOR, 2P, FEMALE	
	VS1-5057-002		1	CONNECTOR, SNAP TIGHT	
J17	NPN			DECK PAPER PICK-UP SENSOR	PS1
	VS1-6321-003		1	CONNECTOR, 3P, FEMALE	
J18	NPN			DECK PAPER PICK-UP CLUTCH	CL2
	VS1-6321-002		1	CONNECTOR, 2P, FEMALE	
	VS1-5057-002		1	CONNECTOR, SNAP TIGHT	
J19	VS1-6320-004		1	CONNECTOR, 4P, FEMALE	
	VS1-6321-004		1	CONNECTOR, 4P, FEMALE	
	VS1-5057-004		1	CONNECTOR, SNAP TIGHT	
J20	PCB			LED SWITCH	
	VS1-6321-004		1	CONNECTOR, 4P, FEMALE	
J21	NPN			DECK PAPER FEED CLUTCH	CL1
	VS1-6321-002		1	CONNECTOR, 2P, FEMALE	
	VS1-5057-002		1	CONNECTOR, SNAP TIGHT	
J22	VS1-6373-010		1	CONNECTOR, 10P, FEMALE	
	VS1-6372-010		1	CONNECTOR, 10P, FEMALE	
	WS3-5569-000		10	PIN, CONTACT	
	WS3-5598-000		10	PIN CONTACT	
J23	NPN			DECK PAPER SENSOR	PS8
	VS1-6321-003		1	CONNECTOR, 3P, FEMALE	
J24	NPN			DECK PAPER POSITION SENSOR	PS7
	VS1-6321-003		1	CONNECTOR, 3P, FEMALE	

FIGURE & KEY NO.	PART NUMBER	RANK	QTY	DESCRIPTION	SERIAL NUMBER / REMARKS
R B - J25	VS1-6321-003		2	CONNECTOR, 3P, FEMALE	
	VS1-5057-003		1	CONNECTOR, SNAP TIGHT	
	J26	NPN		DECK LOWER DETECT SWITCH	SW2
	RH2-5283-000		1	CONNECTOR, 2P, FEMALE	
	WS3-5419-000		2	SOCKET CONTACT, 22-26AWG	
J27	NPN			DECK LIFTER MOTOR	M2
	VS1-0279-002		1	CONNECTOR, 2P, FEMALE	
	WS3-0437-000		2	SOCKET CONTACT, 20-30AWG	
J28	NPN			DECK OPEN SOLENOID	SL2
	VS1-6321-002		1	CONNECTOR, 2P, FEMALE	
J29	NPN			DECK POSITION SENSOR	PS5
	VS1-6321-003		1	CONNECTOR, 3P, FEMALE	
J30	NPN			DECK OPEN SENSOR	PS9
	VS1-6321-003		1	CONNECTOR, 3P, FEMALE	
J31	NPN			DECK OPEN DETECT SWITCH	SW1
J201	RH2-5283-000		1	CONNECTOR, 2P, FEMALE	
	WS3-5419-000		2	SOCKET CONTACT, 22-26AWG	
	VS4-0001-003		1	CONNECTOR, 3P, MALE	OPTION
	VS4-0002-003		1	CONNECTOR, 3P, FEMALE	OPTION
	WS4-0219-000		2	PIN CONTACT, 18-22AWG	OPTION
J202	WS4-0217-000		2	SOCKET CONTACT, 22-18AWG	OPTION
	NPN			DECK HEATER	OPTION H1
	VS4-0001-003		1	CONNECTOR, 3P, MALE	OPTION
J7050	WS4-0219-000		2	PIN CONTACT, 18-22AWG	OPTION
	SYS			COPIER	
	FH2-6481-000		1	HOUSING	
	VS1-5452-008		1	CONNECTOR, 8P, FEMALE	
	WS3-5018-000		4	SOCKET, CONTACT, AWG18-24	

Cassette Feeding Unit-X1

100V	F26 - 1301	MLJ00001 -
100V LSN	F26 - 1302	MLK00001 -
120V	F26 - 1311	MSM00001 -
230V EUR	F26 - 1321	UKG00001 -
230V GB	F26 - 1331	QLY00001 -
230V AU	F26 - 1341	RLY00001 -

CONTENTS

- ZA. ASSEMBLY LOCATION DIAGRAM**

- Z10. EXTERNAL COVERS, PANELS, ETC.**
- Z11. INTERNAL COMPONENTS**
- Z12. RIGHT DOOR ASSEMBLY**

- Z20. PAPER PICK-UP DRIVE ASSEMBLY**

- Z30. CASSETTE**
- Z32. CASSETTE HEATER ASSEMBLY (MLK)**

- Z40. PAPER PICK-UP ASSEMBLY**

- Z90. PEDESTAL CONTROLLER PCB ASSEMBLY**
- Z91. POWER SUPPLY PCB ASSEMBLY**

- ZB. LIST OF CONNECTORS**

- D4. NUMERICAL INDEX**

FIGURE ZA ASSEMBLY LOCATION DIAGRAM

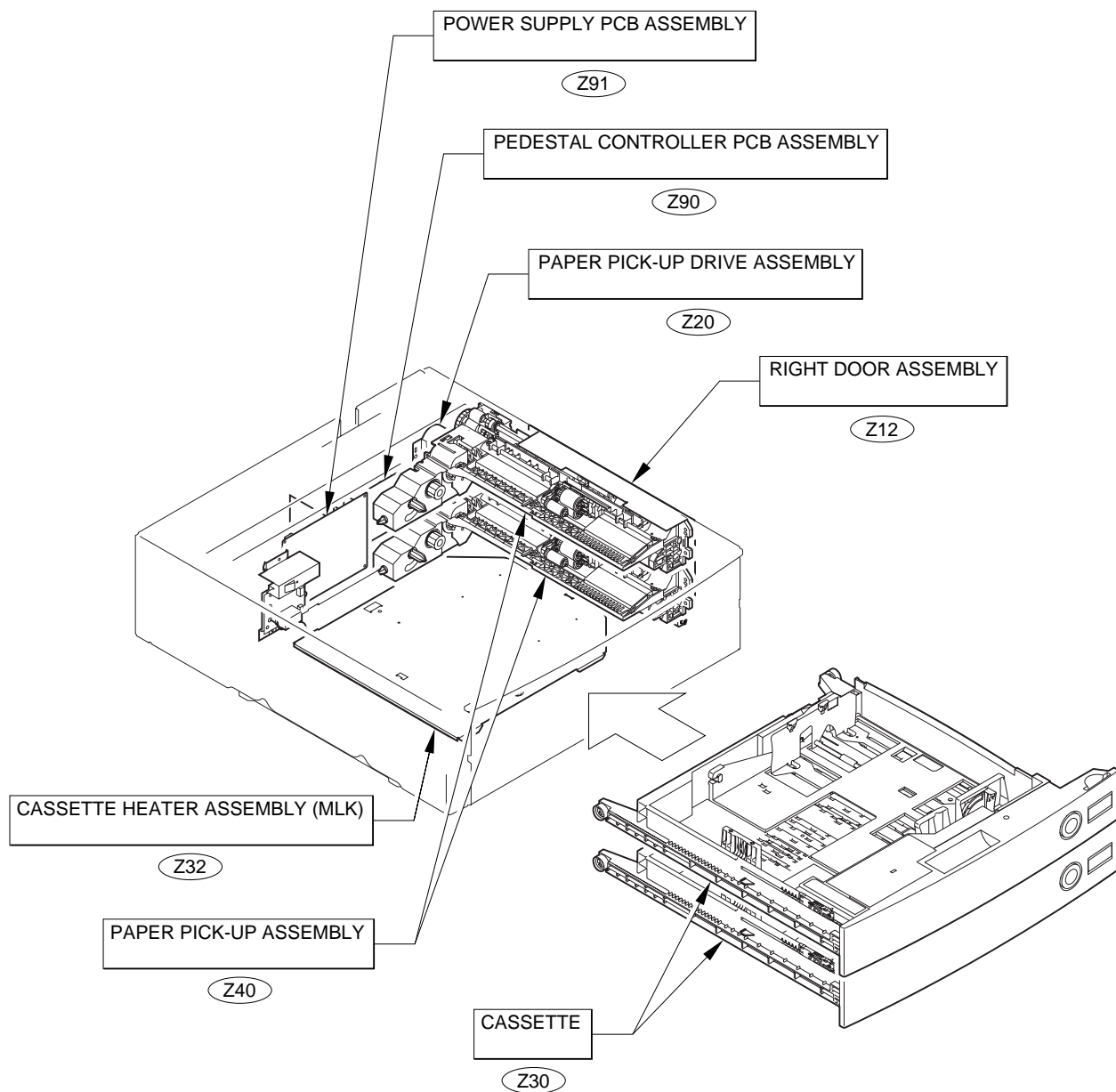


FIGURE Z10 EXTERNAL COVERS, PANELS, ETC.

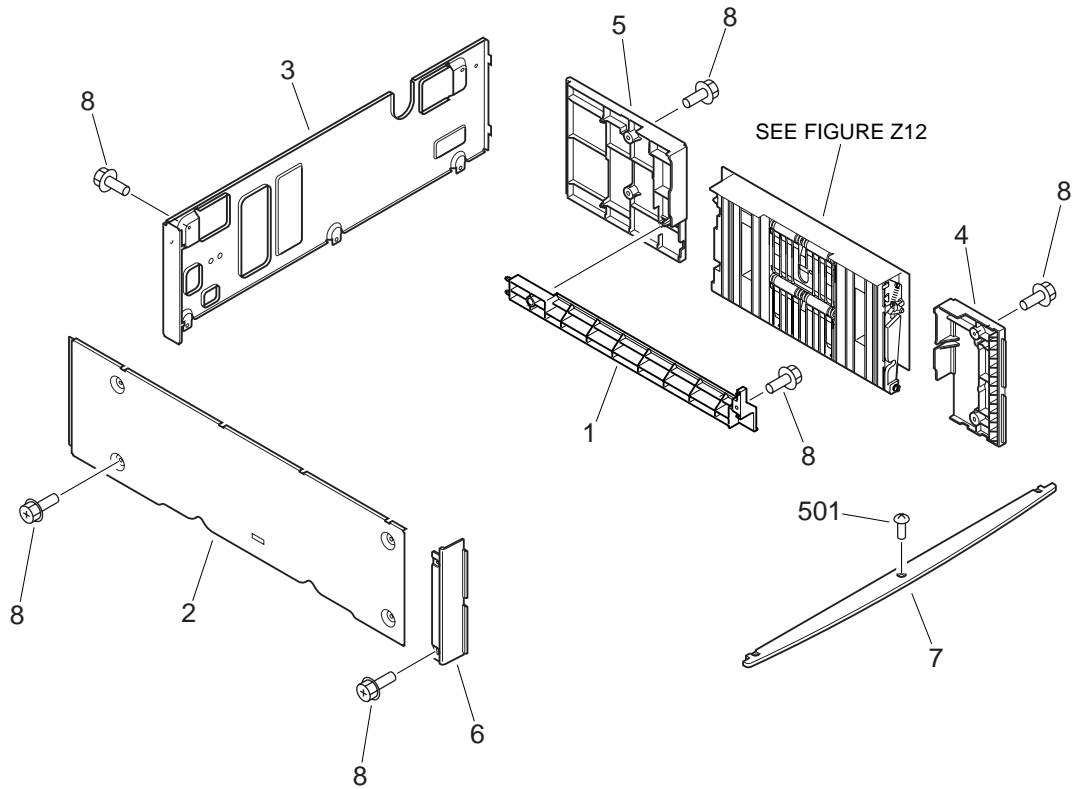


FIGURE & KEY NO.	PART NUMBER	RANK	QTY	DESCRIPTION	SERIAL NUMBER / REMARKS
Z10 -	NPN		RF	EXTERNAL COVERS, PANELS, ETC.	
1	FB6-3504-000		1	RIGHT PANEL, LOWER	
2	FB6-4030-000		1	PANEL, LEFT	
3	FB6-4031-000		1	PANEL, REAR	
4	FB6-4032-000		1	RIGHT PANEL, FRONT	
5	FB6-4033-000		1	RIGHT PANEL, REAR	
6	FB6-4035-000		1	LEFT PANEL, FRONT	
7	FB6-4036-000		1	PANEL, GAP	
8	XA9-0633-000		9	SCREW,RS W/WASHER,M4X8	
501	XB1-2400-407		3	SCREW,MACH.,TRUSS HEAD,M4X4	

FIGURE Z11 INTERNAL COMPONENTS (1/2)

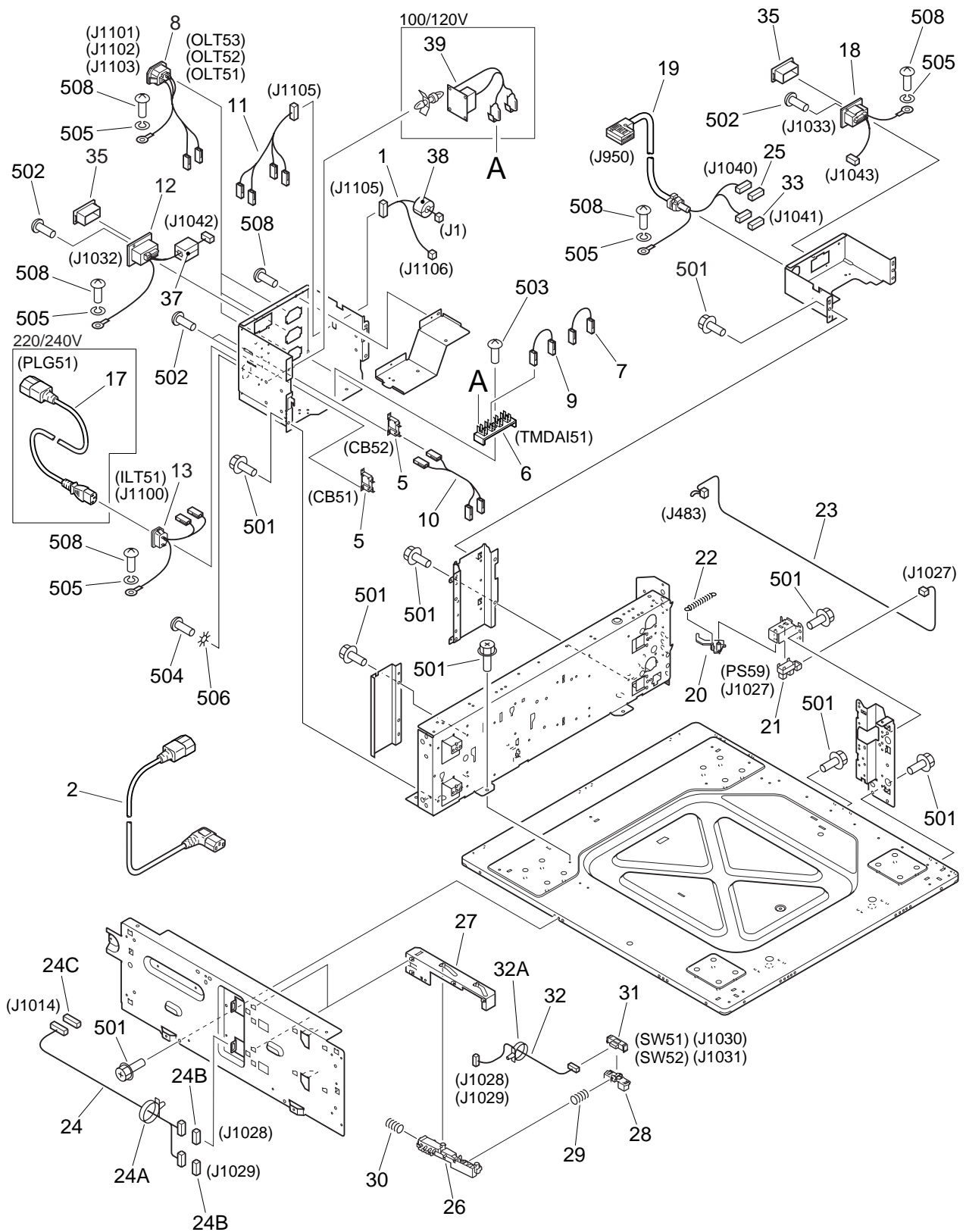


FIGURE Z11 INTERNAL COMPONENTS (2/2)

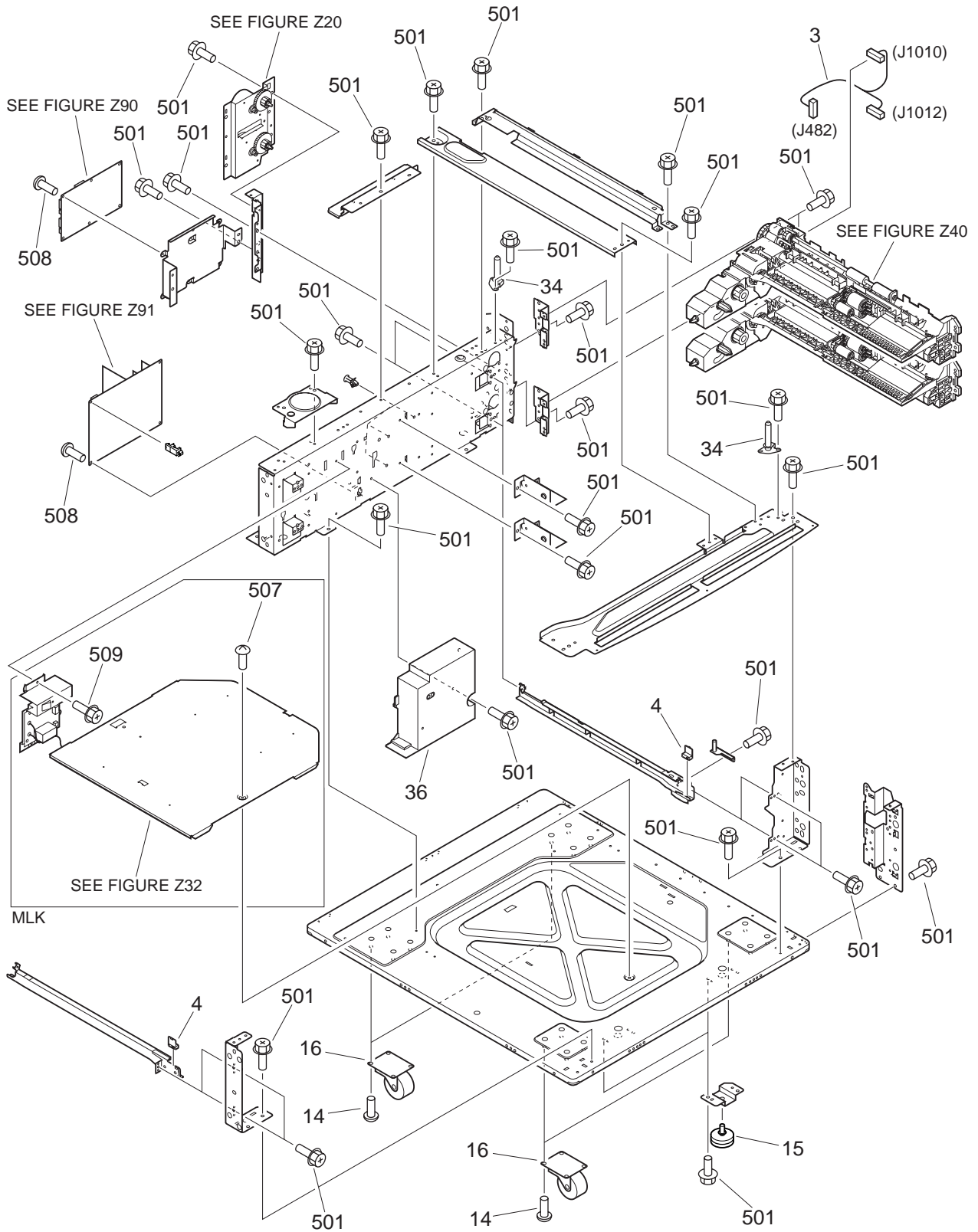


FIGURE & KEY NO.	PART NUMBER	RANK	QTY	DESCRIPTION	SERIAL NUMBER / REMARKS
Z11 -	NPN		RF	INTERNAL COMPONENTS	
1	FG3-2450-000		1	CABLE, AC	100/120V J1,1105,1106
	FG3-2460-000		1	CABLE, AC	220/240V J1,1105,1106
2	FH2-7040-000		1	CORD, POWER SUPPLY	100V
	FH2-7060-000		1	CORD, POWER SUPPLY	120V
	FH2-7041-000		1	CORD, POWER SUPPLY	220/240V
3	FG3-2458-000		1	CABLE, PAPER PICK-UP	J482,1010,1012
4	FB6-3507-000		4	BLOCK, SWING	
5	VD7-2431-502		2	BREAKER, CIRCUIT	100/120V CB51,52
	VD7-2431-002		2	BREAKER, CIRCUIT	220/240V CB51,52
6	WT1-5381-000		1	MOUNT, TERMINAL	TMDAI51
7	FG3-2445-000		1	CABLE, GROUNDING	
8	FG3-2446-000		3	CABLE, OUTLET	OLT53,52,51 J1101,1102,1103
9	FG3-2447-000		1	CABLE, GROUNDING	
10	FG3-2448-000		1	CABLE, BREAKER GROUNDING	
11	FG3-2449-000		1	CABLE, AC MOUNT	J1105
12	FG3-2451-000		1	CABLE, FINISHER LATTICE	J1032,1042
13	FG3-2452-000		1	CABLE, INLET	ILT51 J1100
14	FE9-0290-000		16	SCREW, W/WASHER	
15	XZ9-0494-000		2	ADJUSTER	
16	XZ9-0508-000		4	CASTER	
17	FH2-6492-000		1	CORD, POWER SUPPLY	220/240V PLG51
18	FG3-2453-000		1	CABLE, LATTICE	J1033,1043
19	FG3-2454-000		1	CABLE, INTERFACE	J950,1040,1041
20	FB6-4044-000		1	FLAG, OPEN/CLOSE SENSOR	
21	FH7-7312-000		1	PHOTO-INTERRUPTER	PS59 J1027
22	FS7-2800-000		1	SPRING, TENSION	
23	FG3-2457-000		1	CABLE, RIGHT LOWER DOOR SENSOR	J483,1027
24	FG3-2456-000		1	CABLE, LEFT LOWER CROSSMEMBER	J1014,1028,1029
24A	WT2-5565-000		1	CLAMP, CABLE	

FIGURE & KEY NO.	PART NUMBER	RANK	QTY	DESCRIPTION	SERIAL NUMBER / REMARKS
Z11 - 24B	VS1-6318-005		2	CONNECTOR, SNAP TIGHT	J1028,1029
24C	VS1-6318-010		1	CONNECTOR, SNAP TIGHT	J1014
25	VS1-5820-007		1	CONNECTOR, SNAP TIGHT	J1040
26	FB6-3492-000		2	HOLDER, SWITCH, 1	
27	FB6-3493-000		2	HOLDER, SWITCH, 2	
28	FB6-3494-000		2	HOLDER, SWITCH, 3	
29	FS7-2807-000		2	SPRING, COMPRESSION	
30	FS7-2808-000		2	SPRING, COMPRESSION	
31	WC2-5332-000		2	SWITCH, CASSETTE SIZE	SW51 J1030 SW52 J1031
32	FG3-2348-000		2	CABLE, CASSETTE SIZE SENSOR	J1028,1030 J1029,1031
32A	WT2-5041-000		2	TIE, CABLE	
33	VS1-5820-008		1	CONNECTOR, SNAP TIGHT	J1041
34	FF6-2168-000		2	PIN, POSITIONING	
35	FH2-6552-000		2	COVER, CONNECTOR	
36	FB6-5060-000		1	PANEL, HEATER PCB	
37	WE8-6047-000		1	CORE, FERRITE	
38	WE8-6048-000		1	CORE, FERRITE	
39	FG3-3008-000		1	CAPACITOR PCB ASSEMBLY	100/120V
501	XB3-6400-800		AR	SCREW,RS,M4X8	
502	XB1-2300-807		8	SCREW,MACH.,TRUSS HEAD,M3X8	
503	XB1-2400-803		1	SCREW,MACH.,TRUSS HEAD,M4X8	
504	XB1-2401-007		1	SCREW,MACH.,TRUSS HEAD,M4X10	
505	XD1-3100-407		7	WASHER,SPRING	
506	XD1-4200-402		1	WASHER,TOOTHED LOCK	
507	XB1-2400-407		1	SCREW,MACH.,TRUSS HEAD,M4X4	MLK
508	XB1-2400-607		18	SCREW,MACH.,TRUSS HEAD,M4X6	
509	XB3-6400-800		2	SCREW,RS,M4X8	MLK

FIGURE Z12 RIGHT DOOR ASSEMBLY

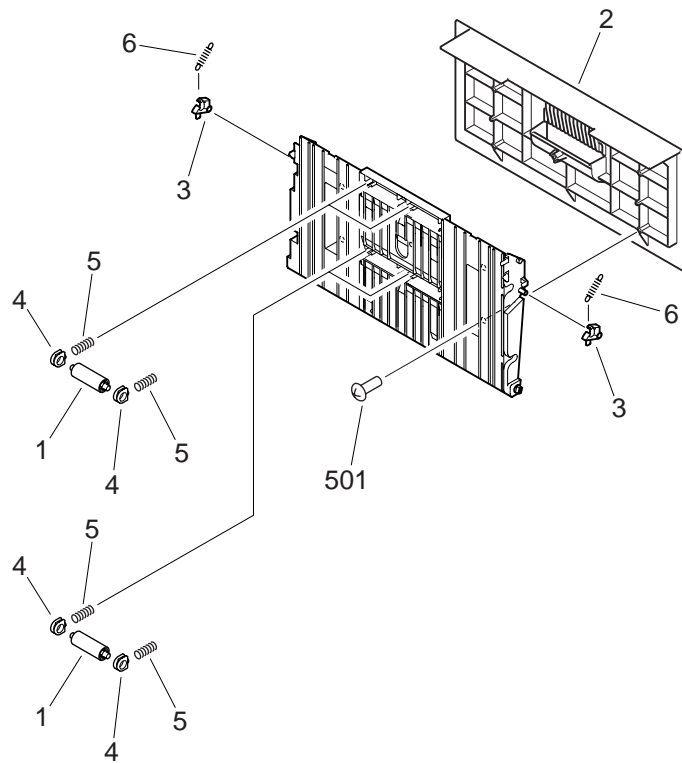


FIGURE & KEY NO.	PART NUMBER	RANK	QTY	DESCRIPTION	SERIAL NUMBER / REMARKS
Z12 -	FG6-9151-000		1	RIGHT DOOR ASSEMBLY	
1	FB6-3313-000		4	ROLLER, PAPER FEED	
2	FB6-4037-000		1	PANEL, RIGHT	
3	FB6-3331-000		2	HOOK, DOOR	
4	FS5-1595-000		8	BLOCK, ROLLER	
5	FS7-2788-000		8	SPRING, COMPRESSION	
6	FS7-2789-000		2	SPRING, TENSION	
501	XB4-5401-007		5	SCREW,P,M4X10	

FIGURE Z20 PAPER PICK-UP DRIVE ASSEMBLY

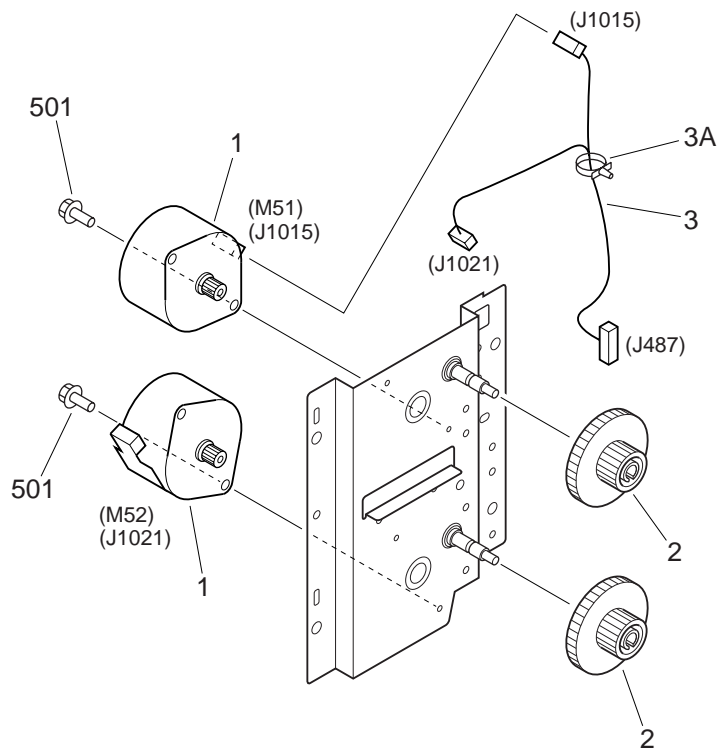
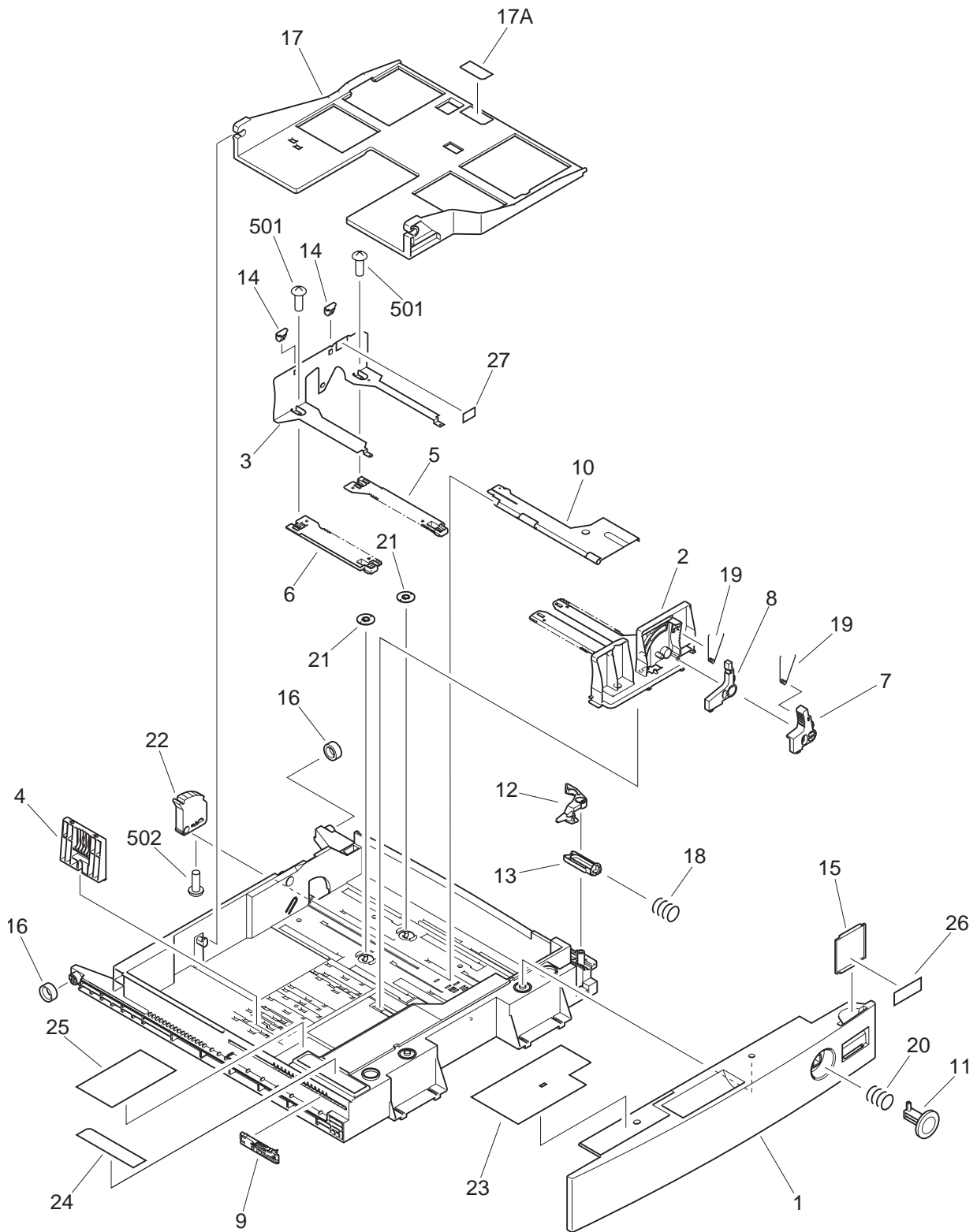


FIGURE & KEY NO.	PART NUMBER	RANK	QTY	DESCRIPTION	SERIAL NUMBER / REMARKS
Z20 -	FG6-9157-000		1	PAPER PICK-UP DRIVE ASSEMBLY	
1	FH6-1972-000		2	MOTOR, STEPPING	M51 J1015 M52 J1021
2	FU3-0285-000		2	GEAR, 80T/16T	
3	FG3-2459-000		1	CABLE, PAPER PICK-UP DRIVE	J487,1015,1021
3A	WT2-5565-000		1	CLAMP, CABLE	
501	XB3-6300-600		4	SCREW,RS,M3X6	

FIGURE Z30 CASSETTE



NOTE : This assembly does not include the part shown with key No. 24.

FIGURE & KEY NO.	PART NUMBER	RANK	QTY	DESCRIPTION	SERIAL NUMBER / REMARKS
Z30 -	FG6-9044-000		2	CASSETTE	
1	FB6-3475-000		1	PANEL, CASSETTE, FRONT	
2	FB6-3478-000		1	PLATE, SIDE GUIDE, FRONT	
3	FB6-3479-000		1	PLATE, SIDE GUIDE, REAR	
4	FB6-3480-000		1	PLATE, END GUIDE	
5	FB6-3481-000		1	RACK, 1	
6	FB6-3482-000		1	RACK, 2	
7	FB6-3483-000		1	KNOB, SIDE GUIDE PLATE, 1	
8	FB6-3484-000		1	KNOB, SIDE GUIDE PLATE, 2	
9	FB6-3485-000		1	COVER, PAPER SIZE SELECT	
10	FB6-3486-000		1	PLATE, LIFTER	
11	FB6-3487-000		1	BUTTON, PUSH	
12	FB6-3488-000		1	ARM, LOCK	
13	FB6-3489-000		1	LINK, RELEASE	
14	FB6-3490-000		2	CLAW, SIDE PLATE GUIDE	
15	FB6-3491-000		1	PLATE, CASSETTE PAPER SIZE	
16	FB6-3506-000		2	COLLAR, CASSETTE SWING	
17	FF6-2064-000		1	PLATE, PAPER LIFTING	
17A	FB6-3499-000		1	SHEET, SEPARATION	
18	FS7-2804-000		1	SPRING, COMPRESSION	
19	FS7-2805-000		2	SPRING, TORSION	
20	FS7-2806-000		1	SPRING, COMPRESSION	
21	FU3-0293-000		2	GEAR, 16T	
22	FU3-0294-000		1	GEAR, 7T	
23	FB6-3522-000		1	LABEL, PAPER SET	
24	FB6-3523-000		1	LABEL, CASSETTE SIZE	SEE NOTE
25	FB6-3524-000		1	LABEL, PAPER SIZE SELECT	
26	FS7-8328-000		2	LABEL, CASSETTE SIZE	
27	FS6-8116-000		1	LABEL, "PAPER HEIGHT"	
501	XB2-8300-607		4	SCREW,W/WASHER,M3X6	

FIGURE & KEY NO.	PART NUMBER	R A N K	Q' T Y	DESCRIPTION	SERIAL NUMBER / REMARKS
Z30 - 502	XB6-7300-807		1	SCREW,TP,M3X8	

FIGURE Z32 CASSETTE HEATER ASSEMBLY (MLK)

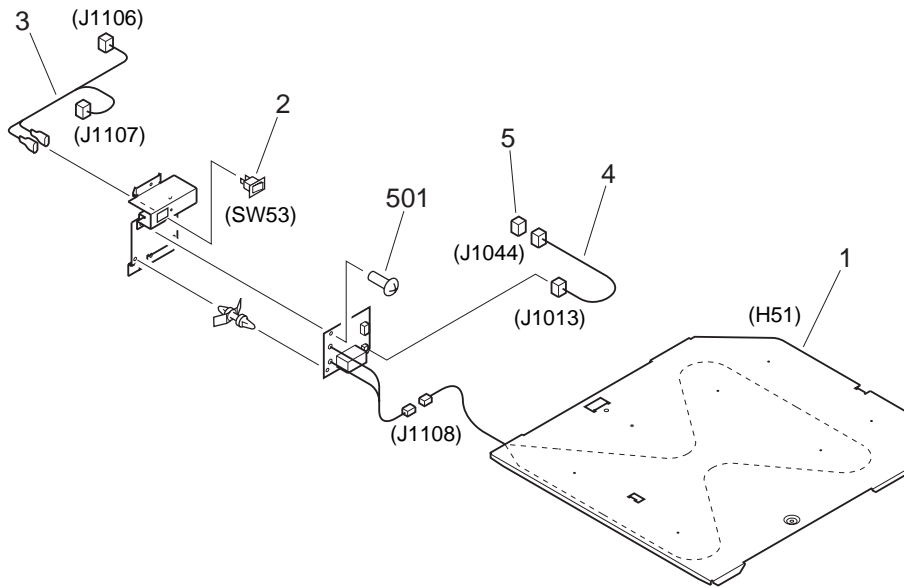


FIGURE & KEY NO.	PART NUMBER	RANK	QTY	DESCRIPTION	SERIAL NUMBER / REMARKS
Z32 -	NPN		RF	CASSETTE HEATER ASSEMBLY	MLK
1	FH7-4740-000		1	HEATER, CASSETTE	H51 J1108
2	WC1-5129-000		1	SWITCH, ROCKER	SW53
3	FG3-2340-000		1	CABLE, CASSETTE HEATER SWITCH	J1106,1107
4	FG3-2342-000		1	CABLE, CASSETTE HEATER CONTROL	J1013,1044
5	VS1-5057-003		1	CONNECTOR, SNAP TIGHT	J1044
501	XB1-2400-607		1	SCREW,MACH.,TRUSS HEAD,M4X6	

FIGURE Z40 PAPER PICK-UP ASSEMBLY

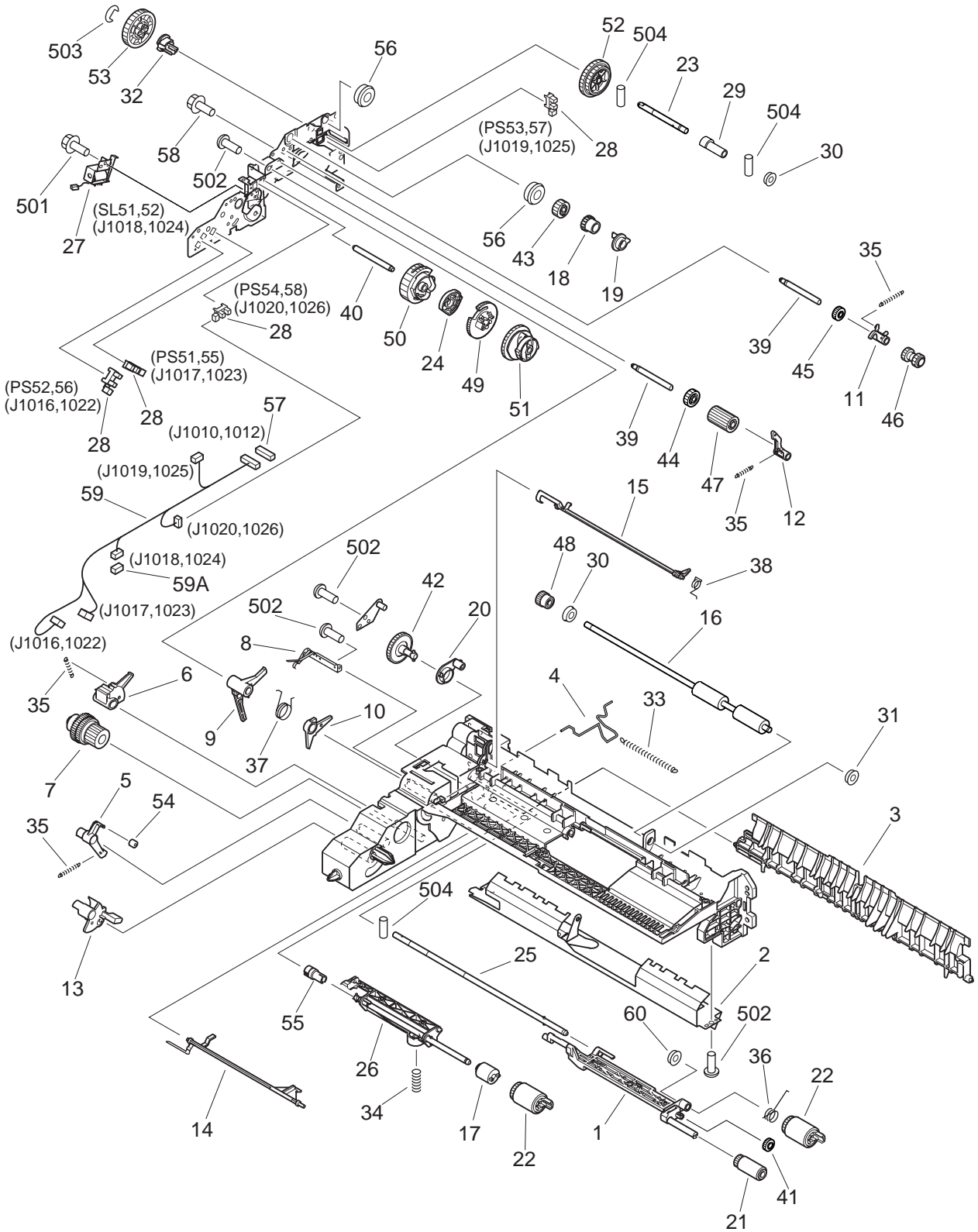


FIGURE & KEY NO.	PART NUMBER	RANK	QTY	DESCRIPTION	SERIAL NUMBER / REMARKS
Z40 -	FG6-9027-000		2	PAPER PICK-UP ASSEMBLY	
1	FB6-3380-000		1	HOLDER, PAPER PICK-UP ROLLER	
2	FB6-3386-000		1	GUIDE, RETARD	
3	FB6-3387-000		1	GUIDE, VERTICAL PATH	
4	FB6-3388-000		1	ROD, SEPARATION ROLLER RELEASE	
5	FB6-3389-000		1	CLAW, PICK-UP	
6	FB6-3390-000		1	CLAW, PAPER PICK-UP	
7	FB6-3391-000		1	GEAR, RATCHET	
8	FB6-3392-000		1	SPRING, LEAF	
9	FB6-3393-000		1	ARM, PICK-UP	
10	FB6-3394-000		1	ARM, LIFTING	
11	FB6-3395-000		1	ARM, PAPER FEED SHAFT	
12	FB6-3396-000		1	LOCK, PICK-UP	
13	FB6-3397-000		1	FLAG, PAPER SENSOR	
14	FB6-3398-000		1	FLAG, PAPER DETECT SENSOR	
15	FB6-3399-000		1	FLAG, REGISTRATION SENSOR	
16	FB6-4852-000		1	ROLLER, VERTICAL PATH	
17	FB6-3410-000		1	LIMITER, TORQUE	
18	FB6-3402-000		1	GEAR, RATCHET	
19	FB6-3403-000		1	COUPLING, FEED SHAFT STOP	
20	FB6-3404-000		1	COUPLING, SEPARATION SHAFT	
21	FB6-3405-000		1	ROLLER, PAPER PICK-UP	
22	FB6-3407-000		2	ROLLER, FEED/SEPARATION	
23	FB6-3408-000		1	SHAFT, PAPER PICK-UP DRIVE	
24	FB6-3411-000		1	CAM, LOCK	
25	FF6-2058-000		1	SHAFT, PAPER FEED ROLLER	
26	FF6-2059-000		1	HOLDER, SEPARATION ROLLER	
27	FH6-5055-000		1	SOLENOID	SL51,52 J1018,1024
28	FH7-7312-000		4	PHOTO-INTERRUPTER	PS51,52,53,54 J1017,1016,1019,1020 PS55,56,57,58 J1023,1022,1025,1026

FIGURE & KEY NO.	PART NUMBER	RANK	QTY	DESCRIPTION	SERIAL NUMBER / REMARKS
Z40 - 29	FB6-3413-000		1	COLLAR, PAPER PICK-UP SHAFT	
30	FS1-1205-000		2	BUSHING	
31	FS5-1597-000		1	BUSHING	
32	FS6-1063-000		1	BUSHING	
33	FS7-2797-000		1	SPRING, TENSION	
34	FS7-2798-000		1	SPRING, COMPRESSION	
35	FS7-2800-000		4	SPRING, TENSION	
36	FS7-2801-000		1	SPRING, TORSION	
37	FS7-2802-000		1	SPRING, TORSION	
38	FS7-2803-000		1	SPRING, TORSION	
39	FS7-5909-000		2	SHAFT, IDLER, 2	
40	FS7-5910-000		1	SHAFT, IDLER, 3	
41	FU3-0280-000		1	GEAR, 15T	
42	FU3-0349-000		1	GEAR, 41T	
43	FU3-0282-000		1	GEAR, 21T	
44	FU3-0283-000		1	GEAR, 21T	
45	FU3-0284-000		1	GEAR, 16T	
46	FU3-0352-000		1	GEAR, 16T/16T	
47	FU3-0288-000		1	GEAR, 21T	
48	FU3-0289-000		1	GEAR, 14T	
49	FU3-0290-000		1	GEAR, 46T	
50	FU3-0291-000		1	GEAR, 51T	
51	FU3-0292-000		1	GEAR, 42T	
52	FU3-0350-000		1	GEAR, 41T/41T	
53	FU3-0347-000		1	GEAR, 41T	
54	RB1-6539-000		1	DAMPER	
55	RB1-8945-000		1	JOINT	
56	RS5-1567-000		2	BUSHING	
57	VS1-6318-014		1	CONNECTOR, SNAP TIGHT	J1010,1012
58	XA9-0656-000		1	SCREW,RS,M3X10	

FIGURE & KEY NO.	PART NUMBER	RANK	QTY	DESCRIPTION	SERIAL NUMBER / REMARKS
Z40 - 59	FG3-2302-000		1	CABLE, PAPER PICK-UP	J1010,1016-1020 J1012,1022-1026
59A	VS1-5057-002		1	CONNECTOR, SNAP TIGHT	J1018,1024
60	FS1-1213-000		1	BUSHING	
501	XB3-6300-600		1	SCREW,RS,M3X6	
502	XB4-5401-207		7	SCREW,P,M4X12	
503	XD2-1100-502		1	RING,E	
504	XD3-2200-122		3	PIN,DOWEL	

FIGURE Z90 PEDESTAL CONTROLLER PCB ASSEMBLY

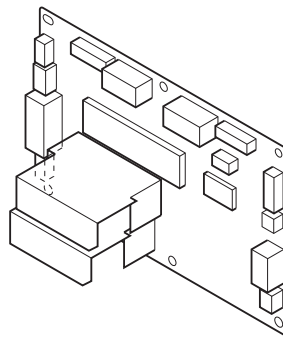


FIGURE & KEY NO.	PART NUMBER	RANK	QTY	DESCRIPTION	SERIAL NUMBER / REMARKS
Z90 -	FG3-2441-000		1	PEDESTAL CONTROLLER PCB ASS'Y	
CP1	FH9-0186-000		1	PIN, CHECK	
CP2	FH9-0186-000		1	PIN, CHECK	
IC5	FH4-1427-000		1	IC, M30800FCFP, MPU	

FIGURE Z91 POWER SUPPLY PCB ASSEMBLY

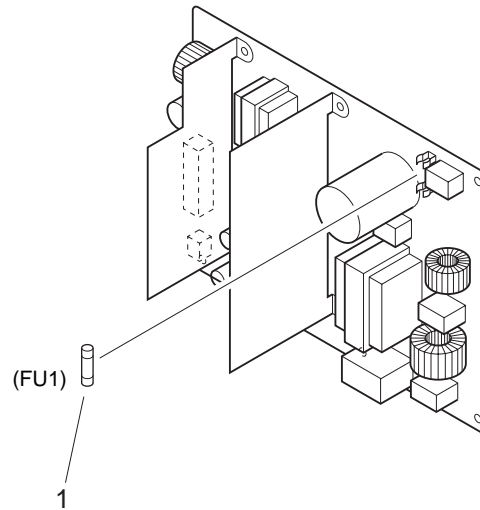


FIGURE & KEY NO.	PART NUMBER	RANK	QTY	DESCRIPTION	SERIAL NUMBER / REMARKS
Z91 -	FG3-2443-000		1	POWER SUPPLY PCB ASSEMBLY	100/120V
	FG3-2444-000		1	POWER SUPPLY PCB ASSEMBLY	220/240V
1	VD7-0216-001		1	FUSE, 125V, 6A	FU1 100/120V
	VD7-0643-151		1	FUSE, 250V, 3.15A	FU1 220/240V
L1	FH7-9245-000		1	COIL, CHOKE	
L2	RH7-9021-000		1	FILTER, LINE	100/120V
L5	FH3-0975-000		1	INDUCTOR	
L181	FH3-0725-000		1	COIL, CHOKE	
RL1	RH7-6066-000		1	RELAY	
T1	FH3-0695-000		1	TRANSFORMER	100/120V

FIGURE ZB LIST OF CONNECTORS

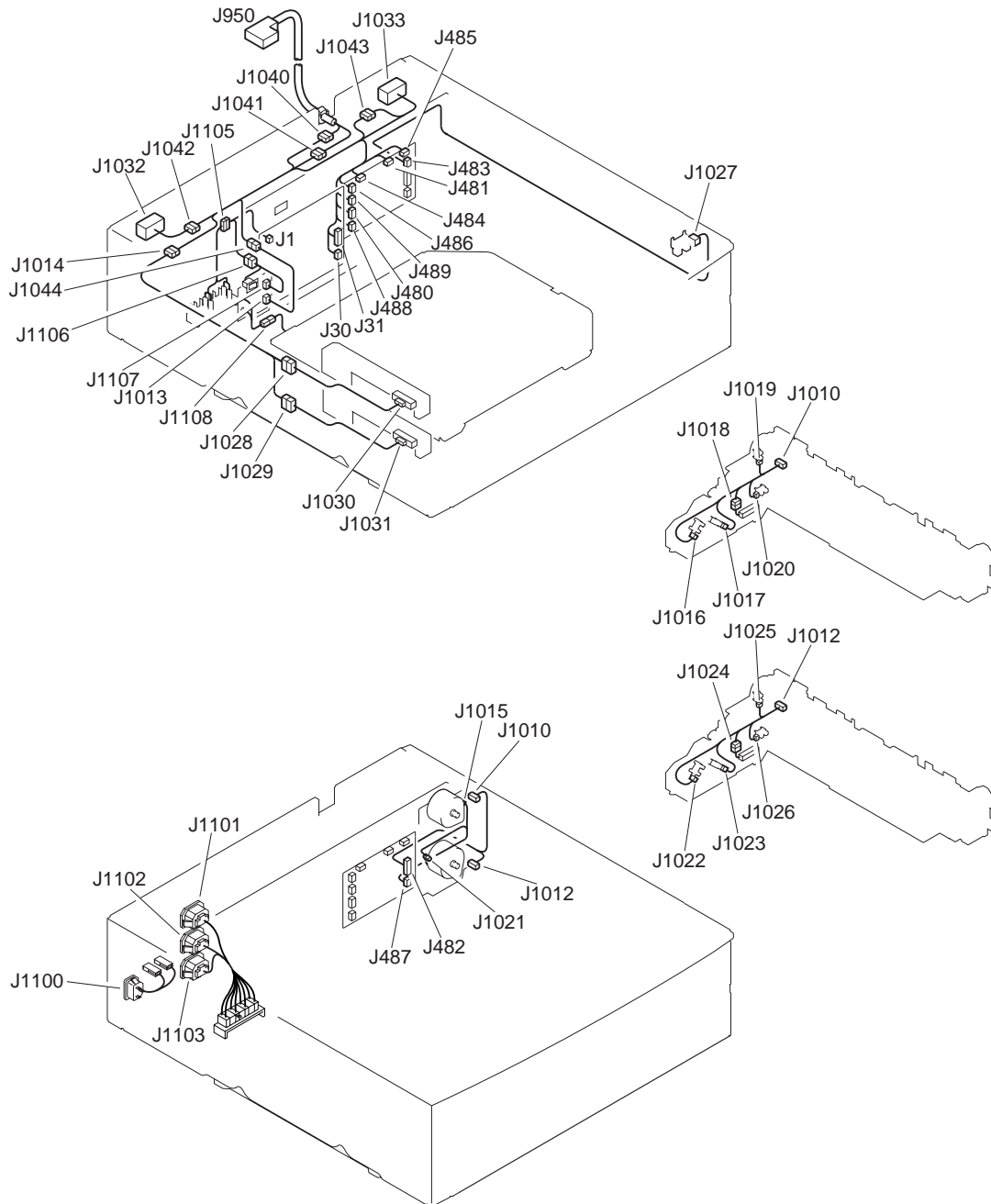


FIGURE & KEY NO.	PART NUMBER	RANK	QTY	DESCRIPTION	SERIAL NUMBER / REMARKS
Z B -	NPN		RF	LIST OF CONNECTORS	
J1	PCB			CASSETTE PEDESTAL POWER	
	VS3-5083-000		1	CONNECTOR, 3P, FEMALE	
	WS3-5160-000		2	SOCKET CONTACT, 18-24AWG	
J30	PCB			CASSETTE PEDESTAL POWER	
J31	PCB			CASSETTE PEDESTAL POWER	
	VS1-6321-003		1	CONNECTOR, 3P, FEMALE	
	VS3-5083-009		1	CONNECTOR, 9P, FEMALE	
	WS3-5160-000		9	SOCKET CONTACT, 18-24AWG	
J480	PCB			CASSETTE PEDESTAL CONTROLLER	
J481	PCB			CASSETTE PEDESTAL CONTROLLER	
	VS3-5083-004		1	CONNECTOR, 4P, FEMALE	
	WS3-5160-000		4	SOCKET CONTACT, 18-24AWG	
	VS1-5452-007		1	CONNECTOR, 7P, FEMALE	
	VS1-6084-007		1	CONNECTOR, 7P, FEMALE	
J482	PCB			CASSETTE PEDESTAL CONTROLLER	
	VS1-6197-014		1	CONNECTOR HOUSING	
	VS1-6313-014		1	CONNECTOR, 14P, FEMALE	
	VS1-6314-014		1	CONNECTOR, 14P, MALE	
	VT2-5161-028		1	HOLDER, CONNECTOR, 28P	
J483	PCB			CASSETTE PEDESTAL CONTROLLER	
	VS1-6314-005		1	CONNECTOR, 5P, FEMALE	
J484	PCB			CASSETTE PEDESTAL CONTROLLER	
	VS1-6314-010		1	CONNECTOR, 10P, FEMALE	
J485	PCB			CASSETTE PEDESTAL CONTROLLER	
J486	PCB			CASSETTE PEDESTAL CONTROLLER	
	VS1-5452-008		1	CONNECTOR, 8P, FEMALE	
	VS1-5452-007		1	CONNECTOR, 7P, FEMALE	
J487	PCB			CASSETTE PEDESTAL CONTROLLER	
	VS1-6314-008		1	CONNECTOR, 8P, FEMALE	

FIGURE & KEY NO.	PART NUMBER	RANK	QTY	DESCRIPTION	SERIAL NUMBER / REMARKS
Z B - J488	PCB			CASSETTE PEDESTAL CONTROLLER	
	VS1-6321-003		1	CONNECTOR, 3P, FEMALE	
J489	PCB			CASSETTE PEDESTAL CONTROLLER	
	VS1-5824-002		1	CONNECTOR, 2P, FEMALE	
	WS3-5358-000		2	SOCKET CONTACT, 22-26AWG	
J950	SYS			TO PRINTER DC CONTROLLER	
	VS1-5452-007		1	CONNECTOR, 7P, FEMALE	
	VS1-5452-008		1	CONNECTOR, 8P, FEMALE	
	WS3-5044-000		1	SOCKET, CONTACT, 18-24AWG	
	FH2-6481-000		1	HOUSING	
J1010	VS1-6314-014		2	CONNECTOR, 14P, MALE	
	VS1-6318-014		1	CONNECTOR, SNAP TIGHT	
J1012	VS1-6313-014		1	CONNECTOR, 14P, FEMALE	
	VS1-6314-014		1	CONNECTOR, 14P, MALE	
	VS1-6318-014		1	CONNECTOR, SNAP TIGHT	
J1013	PCB			CASSETTE HEATER CONTROLLER	
	VS1-6321-002		1	CONNECTOR, 2P, FEMALE	
J1014	VS1-6314-010		2	CONNECTOR, 10P, FEMALE	
	VS1-6318-010		1	CONNECTOR, SNAP TIGHT	
J1015	NPN			PAPER PICK-UP 3 MOTOR	
J1016	VS1-6321-004		1	CONNECTOR, 4P, FEMALE	
	NPN			CASSETTE 3 LEVEL B SENSOR	
	VS1-6321-003		1	CONNECTOR, 3P, FEMALE	
J1017	NPN			CASSETTE 3 LEVER A SENSOR	
	VS1-6321-003		1	CONNECTOR, 3P, FEMALE	
J1018	NPN			PAPER PICK-UP 3 SOLENOID	
	VS1-5057-002		1	CONNECTOR, SNAP TIGHT	
	VS1-6321-002		1	CONNECTOR, 2P, FEMALE	
J1019	NPN			CASSETTE 3 RETRY SENSOR	
	VS1-6321-003		1	CONNECTOR, 3P, FEMALE	

FIGURE & KEY NO.	PART NUMBER	RANK	QTY	DESCRIPTION	SERIAL NUMBER / REMARKS
Z B - J1020	NPN			CASSETTE 3 PAPER SENSOR	
	VS1-6321-003		1	CONNECTOR, 3P, FEMALE	
	J1021	NPN		PAPER PICK-UP 4 MOTOR	
	VS1-6321-004		1	CONNECTOR, 4P, FEMALE	
J1022	NPN		CASSETTE 4 LEVEL B SENSOR		
J1023	VS1-6321-003		1	CONNECTOR, 3P, FEMALE	
	NPN			CASSETTE 3 LEVER A SENSOR	
	VS1-6321-003		1	CONNECTOR, 3P, FEMALE	
	J1024	NPN		PAPER PICK-UP 4 SOLENOID	
VS1-5057-002		1	CONNECTOR, SNAP TIGHT		
J1025	NPN			CASSETTE 4 RETRY SENSOR	
	VS1-6321-003		1	CONNECTOR, 3P, FEMALE	
	J1026	NPN		CASSETTE 4 PAPER SENSOR	
	VS1-6321-003		1	CONNECTOR, 3P, FEMALE	
J1027	NPN		RIGHT DOOR OPEN/CLOSE SENSOR		
J1028	VS1-6321-003		1	CONNECTOR, 3P, FEMALE	
	VS1-6314-005		2	CONNECTOR, 5P, FEMALE	
	VS1-6318-005		1	CONNECTOR, SNAP TIGHT	
	J1029	VS1-6314-005	2	CONNECTOR, 5P, FEMALE	
	VS1-6318-005		1	CONNECTOR, SNAP TIGHT	
J1030	NPN			CASSETTE 3 SIZE SWITCH	
	VS1-6321-005		1	CONNECTOR, 5P, FEMALE	
	J1031	NPN		CASSETTE 4 SIZE SWITCH	
VS1-6321-005		1	CONNECTOR, 5P, FEMALE		
J1032	SYS		TO FINISHER		
J1033	VS1-5452-007		1	CONNECTOR, 7P, FEMALE	
	WS3-5596-000		3	PIN CONTACT, 18-24AWG	
	FH2-6480-000		1	CONNECTOR, FEMALE	
	SYS			TO 2.5K PAPER DECK	
	VS1-5452-008		1	CONNECTOR, 8P, FEMALE	

FIGURE & KEY NO.	PART NUMBER	RANK	QTY	DESCRIPTION	SERIAL NUMBER / REMARKS
Z B - J1033	WS3-5596-000		4	PIN CONTACT, 18-24AWG	
	FH2-6480-000		1	CONNECTOR, FEMALE	
J1040	VS1-5452-007		2	CONNECTOR, 7P, FEMALE	
	VS1-5820-007		1	CONNECTOR, SNAP TIGHT	
J1041	VS1-5452-008		2	CONNECTOR, 8P, FEMALE	
	VS1-5820-008		1	CONNECTOR, SNAP TIGHT	
J1042	VS1-5729-002		1	CONNECTOR, 2P, MALE	
	VS3-5083-002		1	CONNECTOR, 2P, FEMALE	
	WS3-5160-000		2	SOCKET CONTACT, 18-24AWG	
	WS3-5301-000		2	PIN CONTACT	
J1043	VS1-5729-003		1	CONNECTOR, 3P, MALE	
	VS3-5083-003		1	CONNECTOR, 3P, FEMALE	
	WS3-5160-000		3	SOCKET CONTACT, 18-24AWG	
	WS3-5301-000		3	PIN CONTACT	
J1044	VS1-5057-003		1	CONNECTOR, SNAP TIGHT	
	VS1-5824-003		1	CONNECTOR, 3P, FEMALE	
	VS1-6321-003		1	CONNECTOR, 3P, FEMALE	
	WS3-5358-000		2	SOCKET CONTACT, 22-26AWG	
J1100	FH2-7040-000		1	CORD, POWER SUPPLY	100V
	FH2-7060-000		1	CORD, POWER SUPPLY	120V
	FH2-7041-000		1	CORD, POWER SUPPLY	220/240V
	WS5-5074-000		1	CONNECTOR, INLET	
J1101	SYS			TO READER HEATER	
	WS5-5077-000		1	CONNECTOR, OUTLET	
J1102	SYS			TO PRINTER	
	WS5-5077-000		1	CONNECTOR, OUTLET	
J1103	SYS			TO 2.5K PAPER DECK HEATER	
	WS5-5077-000		1	CONNECTOR, OUTLET	
J1105	VS1-5729-005		1	CONNECTOR, 5P, MALE	
	VS3-5083-005		1	CONNECTOR, 5P, FEMALE	

FIGURE & KEY NO.	PART NUMBER	RANK	QTY	DESCRIPTION	SERIAL NUMBER / REMARKS
Z B - J1105	WS3-5160-000		4	SOCKET CONTACT, 18-24AWG	
J1106	VS4-0001-003		1	CONNECTOR, 3P, MALE	
	VS4-0002-003		1	CONNECTOR, 3P, FEMALE	
	WS4-0217-000		2	SOCKET CONTACT, 22-18AWG	
	WS4-0219-000		2	PIN CONTACT, 18-22AWG	
J1107	PCB			CASSETTE HEATER CONTROLLER	
	VS3-5083-003		1	CONNECTOR, 3P, FEMALE	
	WS3-5160-000		2	SOCKET CONTACT, 18-24AWG	
J1108	FH7-4740-000		1	HEATER, CASSETTE	
	VS4-0002-002		1	CONNECTOR, 2P, FEMALE	
	WS4-0217-000		2	SOCKET CONTACT, 22-18AWG	

Plain Pedestal-C1

100V	F32 - 2702	MLM00001 -
120V	F32 - 2712	MSP00001 -
230V AMS/GENERAL	F32 - 2722	UKL00001 -
230V UK	F32 - 2732	QLX00001 -
230V CA	F32 - 2742	RLX00001 -

CONTENTS

- ZA. ASSEMBLY LOCATION DIAGRAM**

- Z10. EXTERNAL COVERS, PANELS, ETC.**
- Z11. INTERNAL COMPONENTS**

- Z90. PEDESTAL CONTROLLER PCB ASSEMBLY**
- Z91. POWER SUPPLY PCB ASSEMBLY**

- ZB. LIST OF CONNECTORS**

- D5. NUMERICAL INDEX**

FIGURE ZA ASSEMBLY LOCATION DIAGRAM

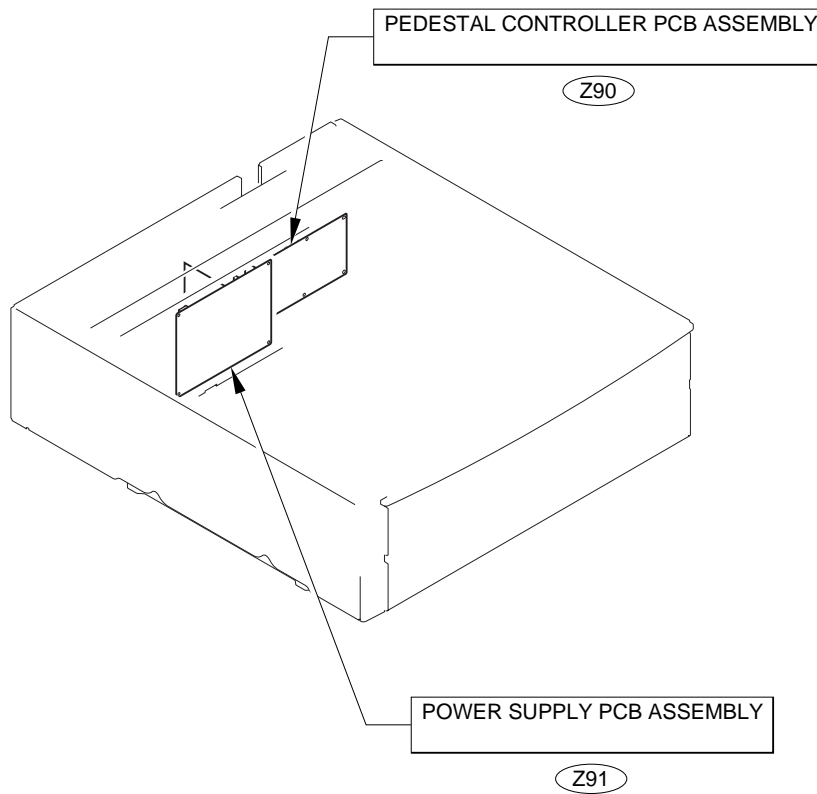


FIGURE Z10

EXTERNAL COVERS, PANELS, ETC.

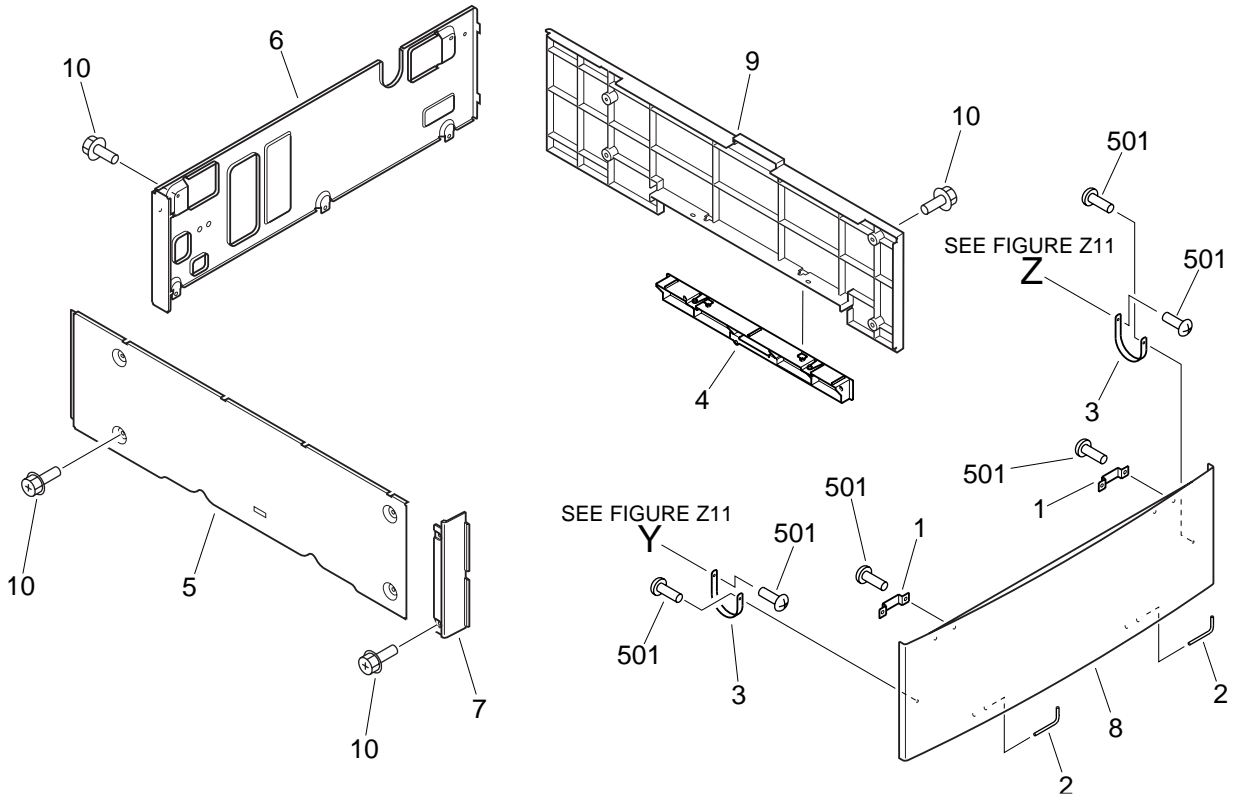


FIGURE & KEY NO.	PART NUMBER	RANK	QTY	DESCRIPTION	SERIAL NUMBER / REMARKS
Z10 -	NPN		RF	EXTERNAL COVERS, PANELS, ETC.	
1	FB1-6053-000		2	PLATE, CATCH	
2	FB3-2224-000		2	PIN, HINGE	
3	FB3-4168-000		2	STRAP, DOOR SUPPORT	
4	FB6-3443-000		1	RIGHT PANEL, LOWER	
5	FB6-4030-000		1	PANEL, LEFT	
6	FB6-4031-000		1	PANEL, REAR	
7	FB6-4035-000		1	LEFT PANEL, FRONT	
8	FB6-5051-000		1	PANEL, FRONT	
9	FB6-5054-000		1	PANEL, RIGHT	
10	XA9-0633-000		9	SCREW,RS W/WASHER,M4X8	
501	XB4-5400-807		8	SCREW,P,M4X8	

FIGURE Z11 INTERNAL COMPONENTS (1/2)

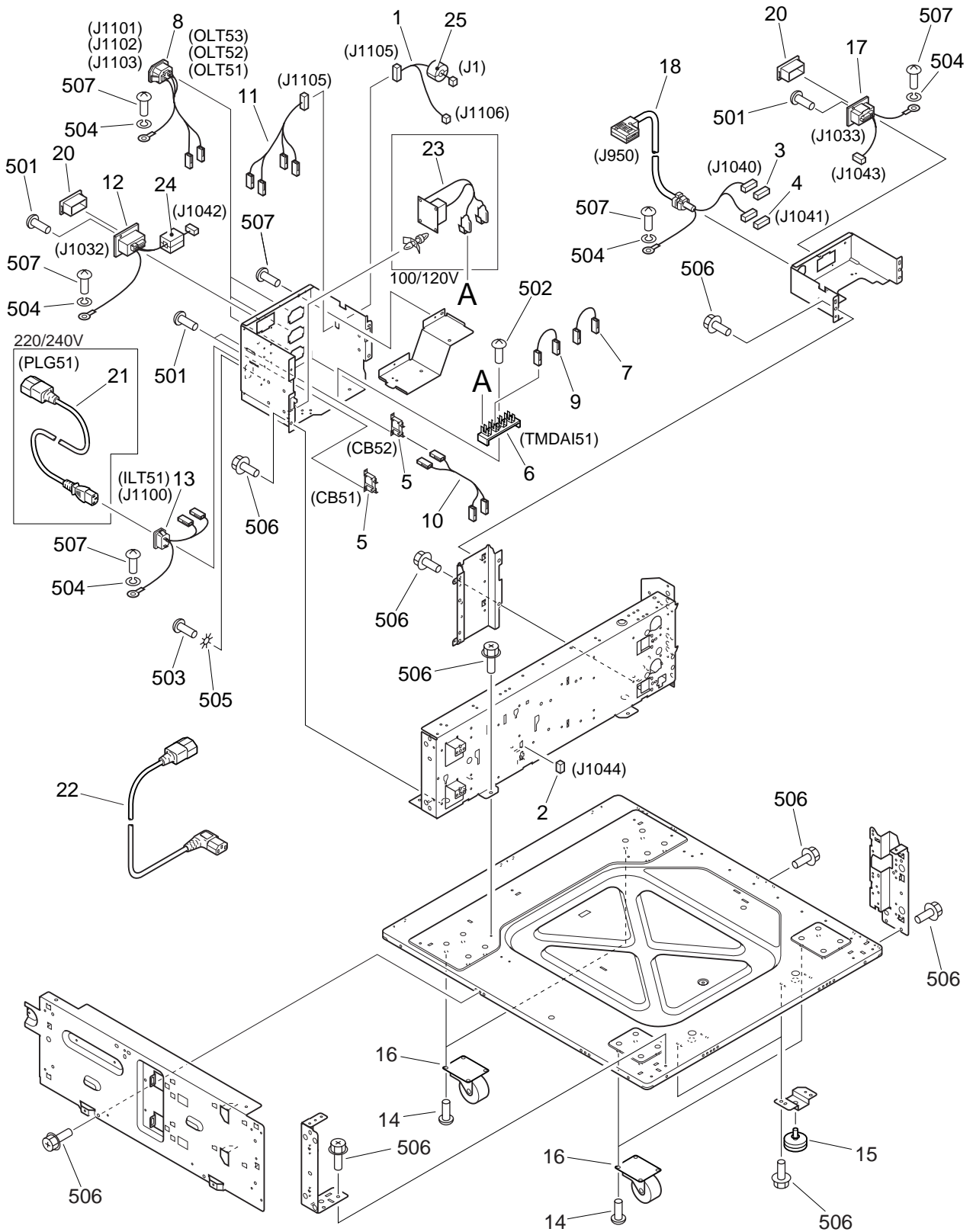


FIGURE Z11 INTERNAL COMPONENTS (2/2)

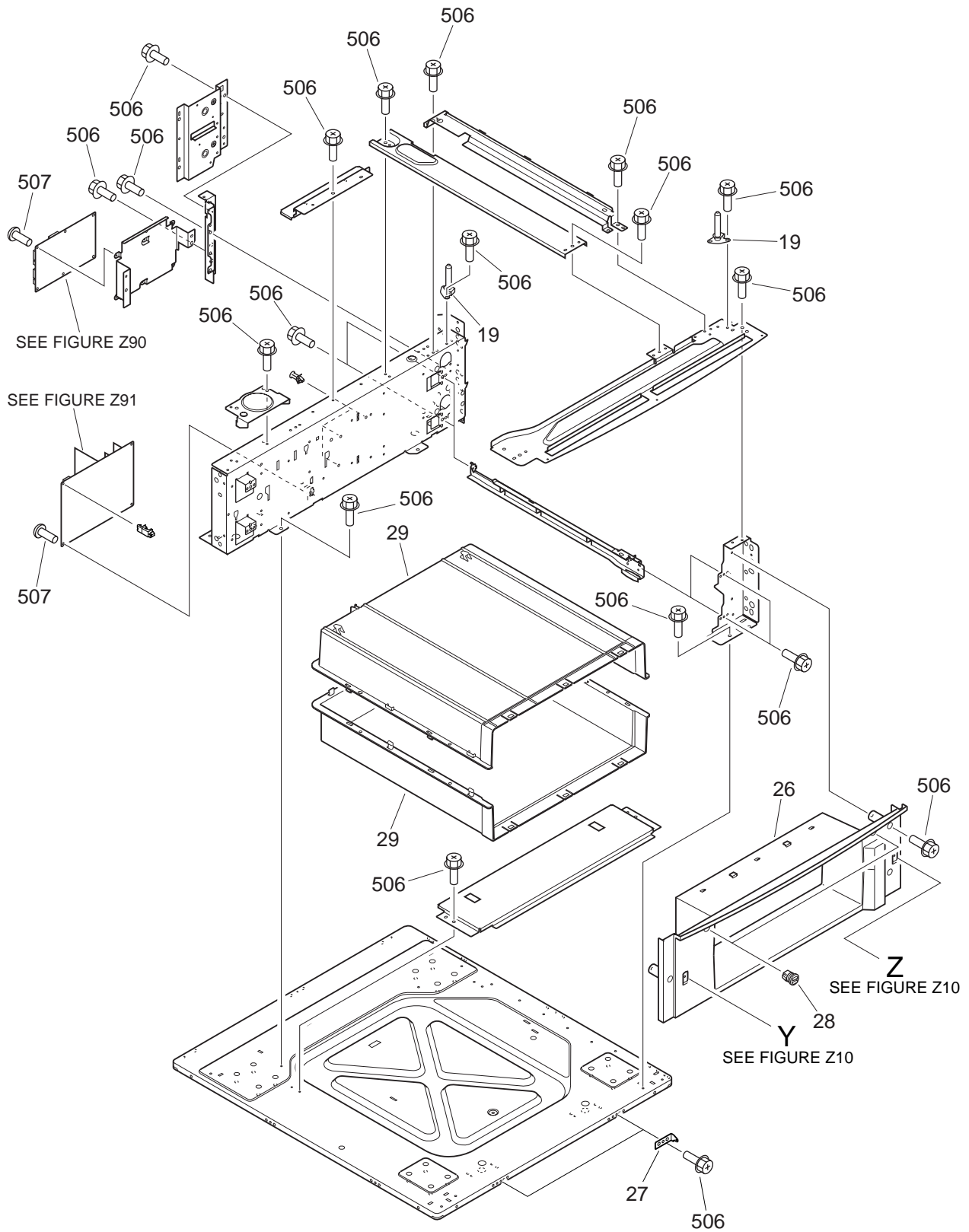


FIGURE & KEY NO.	PART NUMBER	RANK	QTY	DESCRIPTION	SERIAL NUMBER / REMARKS
Z11 -	NPN		RF	INTERNAL COMPONENTS	
1	FG3-2450-000		1	CABLE, AC	100/120V J1,1105,1106
	FG3-2460-000		1	CABLE, AC	220/240V J1,1105,1106
2	VS1-5057-003		1	CONNECTOR, SNAP TIGHT	J1044
3	VS1-5820-007		1	CONNECTOR, SNAP TIGHT	J1040
4	VS1-5820-008		1	CONNECTOR, SNAP TIGHT	J1041
5	VD7-2431-502		2	BREAKER, CIRCUIT	100/120V CB51,52
	VD7-2431-002		2	BREAKER, CIRCUIT	220/240V CB51,52
6	WT1-5381-000		1	MOUNT, TERMINAL	TMDAI51
7	FG3-2445-000		1	CABLE, GROUNDING	
8	FG3-2446-000		3	CABLE, OUTLET	OLT53,52,51 J1101,1102,1103
9	FG3-2447-000		1	CABLE, GROUNDING	
10	FG3-2448-000		1	CABLE, BREAKER GROUNDING	
11	FG3-2449-000		1	CABLE, AC MOUNT	J1105
12	FG3-2451-000		1	CABLE, FINISHER LATTICE	J1032,1042
13	FG3-2452-000		1	CABLE, INLET	ILT51 J1100
14	FE9-0290-000		16	SCREW, W/WASHER	
15	XZ9-0494-000		2	ADJUSTER	
16	XZ9-0508-000		4	CASTER	
17	FG3-2453-000		1	CABLE, LATTICE	J1033,1043
18	FG3-2454-000		1	CABLE, INTERFACE	J950,1040,1041
19	FF6-2168-000		2	PIN, POSITIONING	
20	FH2-6552-000		2	COVER, CONNECTOR	
21	FH2-6492-000		1	CORD, POWER SUPPLY	220/240V PLG51
22	FH2-7040-000		1	CORD, POWER SUPPLY	100V
	FH2-7041-000		1	CORD, POWER SUPPLY	220/240V
	FH2-7060-000		1	CORD, POWER SUPPLY	120V
23	FG3-3008-000		1	CAPACITOR PCB ASSEMBLY	100/120V
24	WE8-6047-000		1	CORE, FERRITE	
25	WE8-6048-000		1	CORE, FERRITE	

FIGURE & KEY NO.	PART NUMBER	R A N K	Q' T Y	DESCRIPTION	SERIAL NUMBER / REMARKS
Z11 - 26	FB6-5052-000		1	COVER, INNER	
27	FB3-4171-000		2	HINGE	
28	FB3-7217-000		2	MAGNET CATCH	
29	FB6-5053-000		2	CASE, PAPER STOCK	
501	XB1-2300-807		8	SCREW,MACH.,TRUSS HEAD,M3X8	
502	XB1-2400-803		1	SCREW,MACH.,TRUSS HEAD,M4X8	
503	XB1-2401-007		1	SCREW,MACH.,TRUSS HEAD,M4X10	
504	XD1-3100-407		7	WASHER,SPRING	
505	XD1-4200-402		1	WASHER,TOOTHED LOCK	
506	XB3-6400-800		AR	SCREW,RS,M4X8	
507	XB1-2400-607		18	SCREW,MACH.,TRUSS HEAD,M4X6	

FIGURE Z90 PEDESTAL CONTROLLER PCB ASSEMBLY

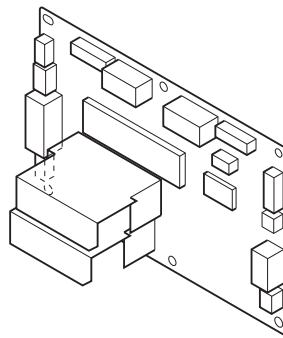


FIGURE & KEY NO.	PART NUMBER	RANK	QTY	DESCRIPTION	SERIAL NUMBER / REMARKS
Z90 -	FG3-2441-000		1	PEDESTAL CONTROLLER PCB ASS'Y	
CP1	FH9-0186-000		1	PIN, CHECK	
CP2	FH9-0186-000		1	PIN, CHECK	
IC5	FH4-1427-000		1	IC, M30800FCFP, MPU	

FIGURE Z91 POWER SUPPLY PCB ASSEMBLY

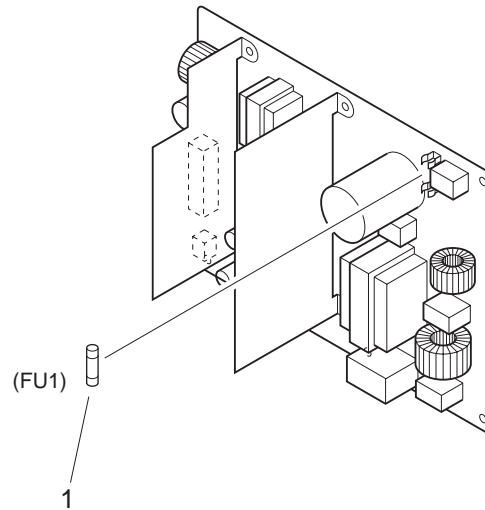


FIGURE & KEY NO.	PART NUMBER	RANK	QTY	DESCRIPTION	SERIAL NUMBER / REMARKS
Z91 -	FG3-2443-000		1	POWER SUPPLY PCB ASSEMBLY	100/120V
	FG3-2444-000		1	POWER SUPPLY PCB ASSEMBLY	220/240V
1	VD7-0216-001		1	FUSE, 125V, 6A	FU1 100/120V
	VD7-0643-151		1	FUSE, 250V, 3.15A	FU1 220/240V
L1	FH7-9245-000		1	COIL, CHOKE	
L2	RH7-9021-000		1	FILTER, LINE	100/120V
L5	FH3-0975-000		1	INDUCTOR	
L181	FH3-0725-000		1	COIL, CHOKE	
RL1	RH7-6066-000		1	RELAY	
T1	FH3-0695-000		1	TRANSFORMER	100/120V

FIGURE ZB LIST OF CONNECTORS

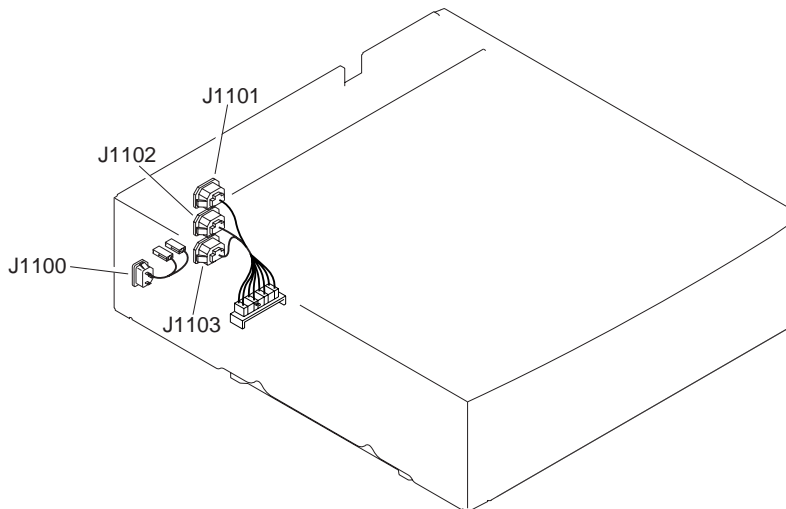
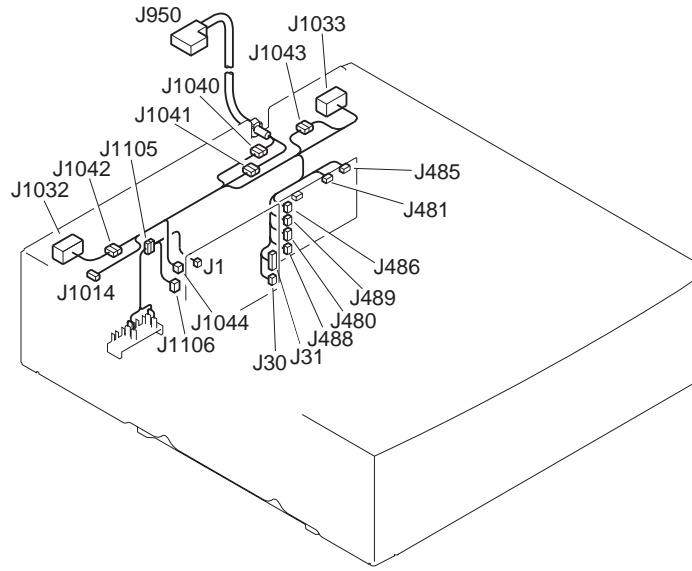


FIGURE & KEY NO.	PART NUMBER	RANK	QTY	DESCRIPTION	SERIAL NUMBER / REMARKS
Z B -	NPN		RF	LIST OF CONNECTORS	
J1	PCB			CASSETTE PEDESTAL POWER	
	VS3-5083-000		1	CONNECTOR, 3P, FEMALE	
	WS3-5160-000		2	SOCKET CONTACT, 18-24AWG	
J30	PCB			CASSETTE PEDESTAL POWER	
J31	PCB			CASSETTE PEDESTAL POWER	
	VS1-6321-003		1	CONNECTOR, 3P, FEMALE	
	VS3-5083-009		1	CONNECTOR, 9P, FEMALE	
	WS3-5160-000		9	SOCKET CONTACT, 18-24AWG	
J480	PCB			CASSETTE PEDESTAL CONTROLLER	
J481	PCB			CASSETTE PEDESTAL CONTROLLER	
	VS3-5083-004		1	CONNECTOR, 4P, FEMALE	
	WS3-5160-000		4	SOCKET CONTACT, 18-24AWG	
	VS1-5452-007		1	CONNECTOR, 7P, FEMALE	
	VS1-6084-007		1	CONNECTOR, 7P, FEMALE	
J485	PCB			CASSETTE PEDESTAL CONTROLLER	
	VS1-6197-014		1	CONNECTOR HOUSING	
J486	PCB			CASSETTE PEDESTAL CONTROLLER	
	VS1-5452-008		1	CONNECTOR, 8P, FEMALE	
	VS1-5452-007		1	CONNECTOR, 7P, FEMALE	
J488	PCB			CASSETTE PEDESTAL CONTROLLER	
J489	PCB			CASSETTE PEDESTAL CONTROLLER	
	VS1-6321-003		1	CONNECTOR, 3P, FEMALE	
	VS1-5824-002		1	CONNECTOR, 2P, FEMALE	
	WS3-5358-000		2	SOCKET CONTACT, 22-26AWG	
J950	SYS			TO PRINTER DC CONTROLLER	
	VS1-5452-007		1	CONNECTOR, 7P, FEMALE	
	VS1-5452-008		1	CONNECTOR, 8P, FEMALE	
	WS3-5044-000		1	SOCKET, CONTACT, 18-24AWG	
	FH2-6481-000		1	HOUSING	

FIGURE & KEY NO.	PART NUMBER	RANK	QTY	DESCRIPTION	SERIAL NUMBER / REMARKS
Z B - J1014	VS1-6314-010		1	CONNECTOR, 10P, FEMALE	
J1032	SYS			TO FINISHER	
	VS1-5452-007		1	CONNECTOR, 7P, FEMALE	
	WS3-5596-000		3	PIN CONTACT, 18-24AWG	
	FH2-6480-000		1	CONNECTOR, FEMALE	
J1033	SYS			TO 2.5K PAPER DECK	
	VS1-5452-008		1	CONNECTOR, 8P, FEMALE	
	WS3-5596-000		4	PIN CONTACT, 18-24AWG	
	FH2-6480-000		1	CONNECTOR, FEMALE	
J1040	VS1-5452-007		2	CONNECTOR, 7P, FEMALE	
J1041	VS1-5820-007		1	CONNECTOR, SNAP TIGHT	
	VS1-5452-008		2	CONNECTOR, 8P, FEMALE	
	VS1-5820-008		1	CONNECTOR, SNAP TIGHT	
J1042	VS1-5729-002		1	CONNECTOR, 2P, MALE	
	VS3-5083-002		1	CONNECTOR, 2P, FEMALE	
J1043	WS3-5160-000		2	SOCKET CONTACT, 18-24AWG	
	WS3-5301-000		2	PIN CONTACT	
	VS1-5729-003		1	CONNECTOR, 3P, MALE	
	VS3-5083-003		1	CONNECTOR, 3P, FEMALE	
	WS3-5160-000		3	SOCKET CONTACT, 18-24AWG	
J1044	WS3-5301-000		3	PIN CONTACT	
	VS1-5057-003		1	CONNECTOR, SNAP TIGHT	
	VS1-5824-003		1	CONNECTOR, 3P, FEMALE	
	WS3-5358-000		2	SOCKET CONTACT, 22-26AWG	
J1100	FH2-7040-000		1	CORD, POWER SUPPLY	100V
J1101	FH2-7060-000		1	CORD, POWER SUPPLY	J120
	FH2-7041-000		1	CORD, POWER SUPPLY	220/240V
	WS5-5074-000		1	CONNECTOR, INLET	
	SYS			TO READER HEATER	
	WS5-5077-000		1	CONNECTOR, OUTLET	

FIGURE & KEY NO.	PART NUMBER	RANK	QTY	DESCRIPTION	SERIAL NUMBER / REMARKS
Z B - J1102	SYS			TO PRINTER	
	WS5-5077-000		1	CONNECTOR, OUTLET	
J1103	SYS			TO 2.5K PAPER DECK HEATER	
	WS5-5077-000		1	CONNECTOR, OUTLET	
J1105	VS1-5729-005		1	CONNECTOR, 5P, MALE	
	VS3-5083-005		1	CONNECTOR, 5P, FEMALE	
	WS3-5160-000		4	SOCKET CONTACT, 18-24AWG	
J1106	VS4-0002-003		1	CONNECTOR, 3P, FEMALE	
	WS4-0217-000		2	SOCKET CONTACT, 22-18AWG	

PDL 拡張キット (LIPS) ・ A1

[100V F61 - 9901]

CONTENTS

G90. LIPS UP-GRADE KIT

D6. NUMERICAL INDEX

FIGURE G90 LIPS UP-GRADE KIT

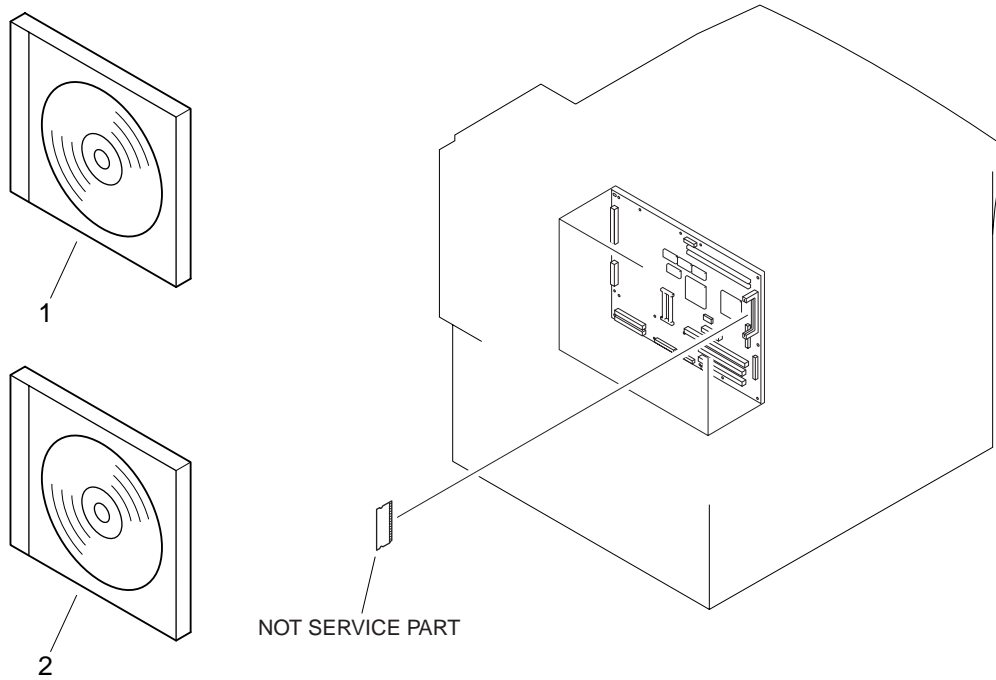


FIGURE & KEY NO.	PART NUMBER	RANK	QTY	DESCRIPTION	SERIAL NUMBER / REMARKS
G90 -	NPN		RF	LIPS UP-GRADE KIT	
1	FH5-3402-000		1	CD-ROM, IV USER SOFTWARE	
2	FH5-3403-000		1	CD-ROM, NETSPOT DOWN-LOADER	

Super G3 FAX Board-M1

100V	F61 - 9904
120V	F61 - 9914
230V EUR	F61 - 9924
230V GENERAL	F61 - 9934

CONTENTS

GA. ASSEMBLY LOCATION DIAGRAM

G10. FAX ASSEMBLY

G20. FAX BOARD PCB ASSEMBLY

GB. LIST OF CONNECTORS

D7. NUMERICAL INDEX

FIGURE GA ASSEMBLY LOCATION DIAGRAM

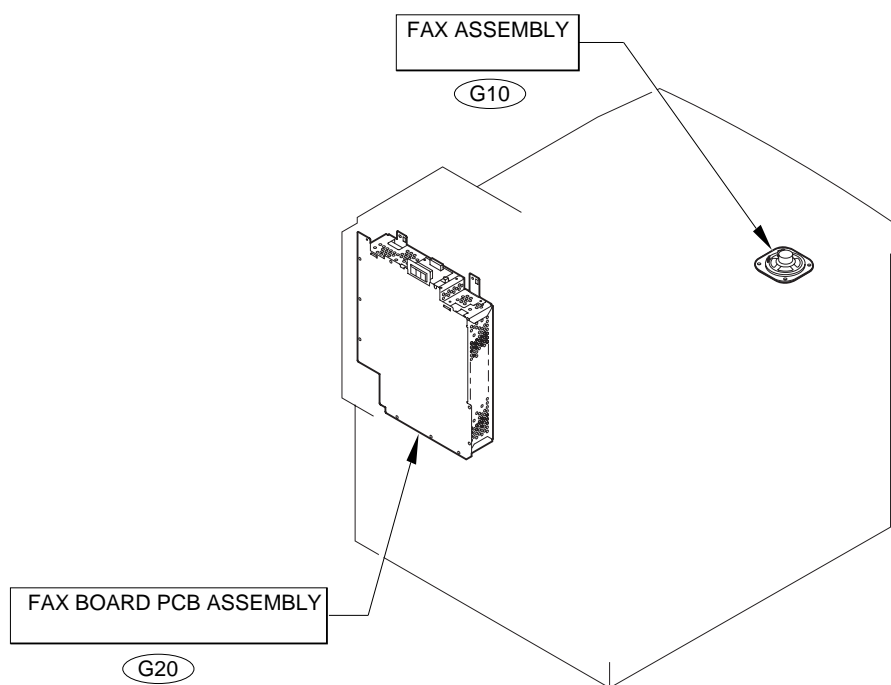


FIGURE G10 FAX ASSEMBLY

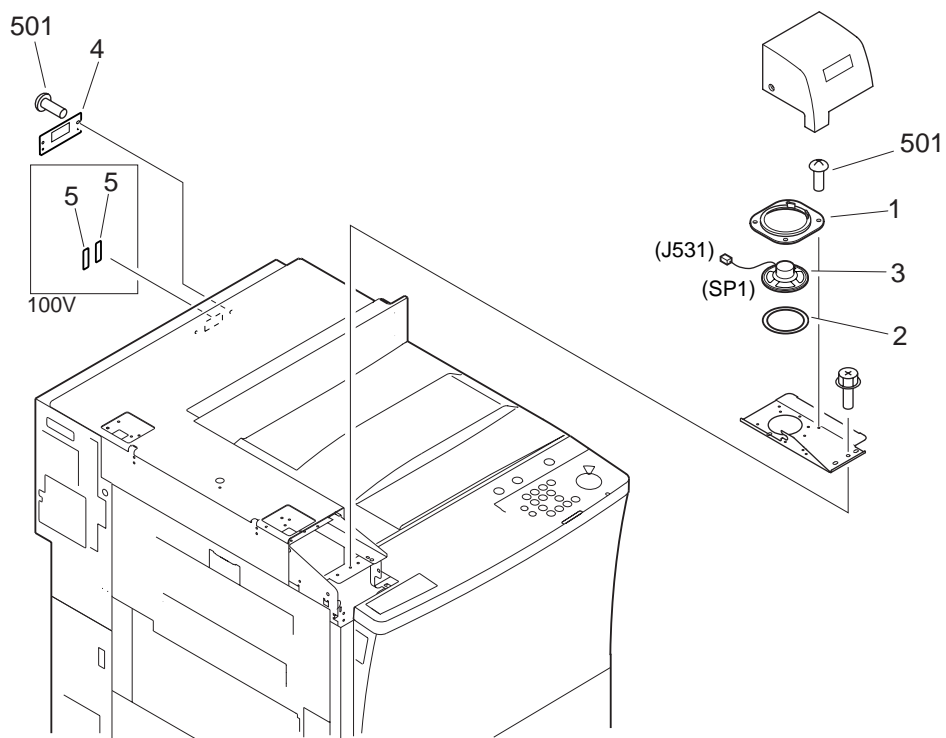


FIGURE & KEY NO.	PART NUMBER	RANK	QTY	DESCRIPTION	SERIAL NUMBER / REMARKS
G10 -	NPN		RF	FAX ASSEMBLY	
1	FB6-5459-000		1	HOLDER, SPEAKER	
2	FB5-5130-000		1	DAMPER, RUBBER	
3	FH5-3218-000		1	SPEAKER	SP1 J531
4	FB6-5455-000		1	COVER, MODULAR	100V
5	FB6-5456-000		1	COVER, MODULAR	120/220/240V
5	FB6-5460-000		2	SHEET, JACK COVER	100V
501	XB6-7400-607		8	SCREW, TP, M4X6	

FIGURE G20 FAX BOARD PCB ASSEMBLY

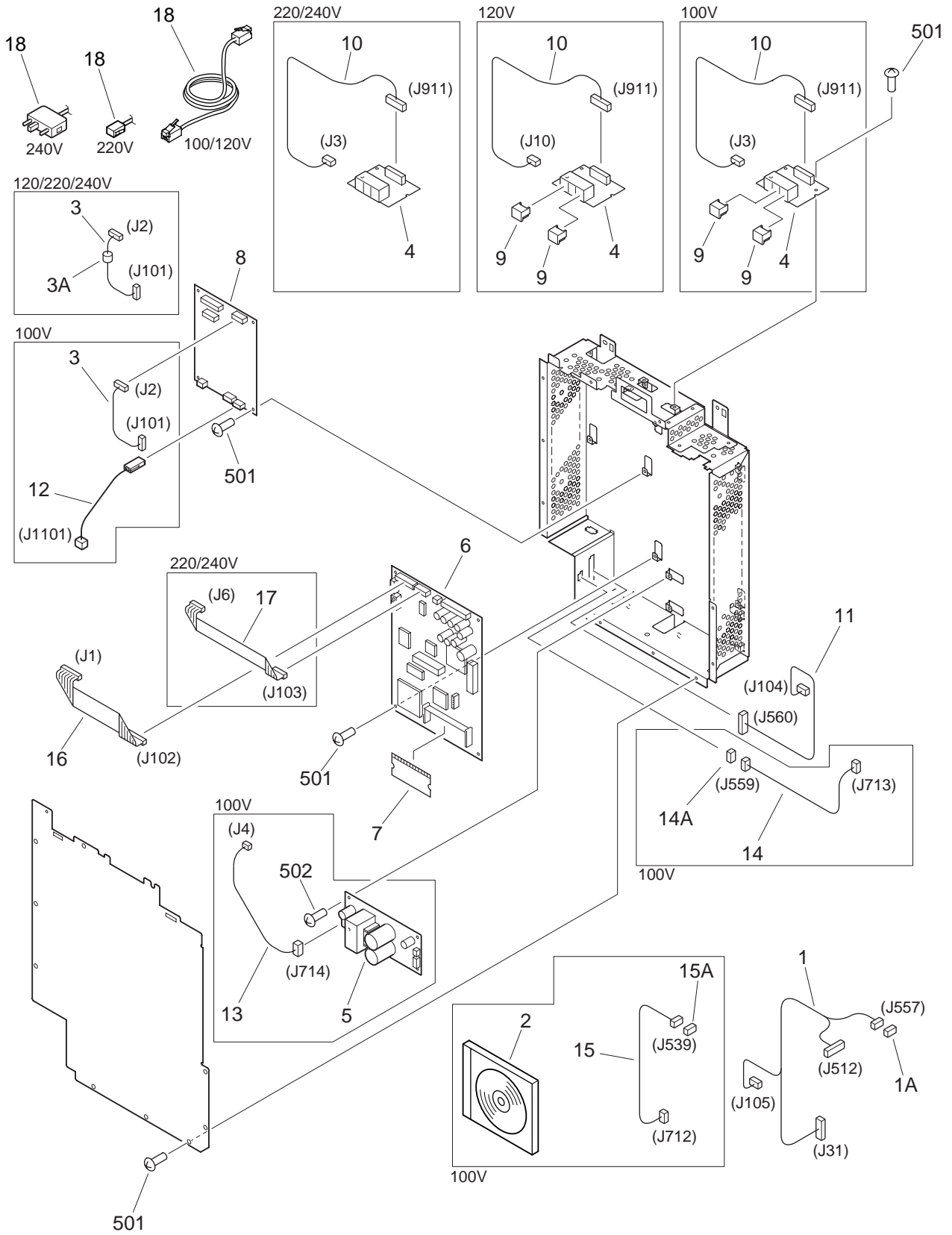


FIGURE & KEY NO.	PART NUMBER	RANK	QTY	DESCRIPTION	SERIAL NUMBER / REMARKS
G20 -	NPN		RF	FAX BOARD PCB ASSEMBLY	
1	FG3-3060-000		1	CABLE, FAX CONTROL	J31,105,512,557
1A	VS1-5057-002		1	CONNECTOR, SNAP TIGHT	J557
2	FH5-3400-000		1	CD-ROM, FAX DRIVER	100V
3	FG3-3061-000		1	CABLE, G3 ANALOG	100V J2,101
	FG3-3286-000		1	CABLE, G3 ANALOG	120/220/240V J2,101
3A	WE8-5193-000		1	CORE, FERRITE	120/220/240V
4	FG3-3138-000		1	G3 MODULAR PCB ASSEMBLY	100V
	FG3-1992-000		1	G3 MODULAR PCB ASSEMBLY	120V
	FG3-1583-020		1	G3 MODULAR PCB ASSEMBLY	220V
	FG3-1584-020		1	G3 MODULAR PCB ASSEMBLY	240V
5	FG3-1605-000		1	PSEUDO CI PCB ASSEMBLY	100V
6	FG3-1587-000		1	G3 FAX CONTROL PCB ASSEMBLY	
7	FG3-3139-000		1	DIMM ASS'Y	100V
	FG3-3140-000		1	DIMM ASS'Y	120V
	FG3-3141-000		1	DIMM ASS'Y	220V
	FG3-3142-000		1	DIMM ASS'Y	240V
8	HG5-1866-000		1	NCU PCB ASSEMBLY	100V
	HG1-4365-000		1	NCU PCB ASSEMBLY	120V
	HG5-2587-000		1	NCU PCB ASSEMBLY	220V
	HG5-2598-000		1	NCU PCB ASSEMBLY	240V
9	WT8-5076-000		2	SPACER, MODULAR	100/120V
10	FG3-3062-000		1	CABLE, MODULAR	100V J3,911
	FG3-3069-000		1	CABLE, MODULAR	120V J10,911
	FG3-3070-000		1	CABLE, MODULAR	220/240V J3,911
11	FG3-3063-000		1	CABLE, FAX POWER SUPPLY	J104,560
12	FG3-3065-000		1	CABLE, GROUNDING	100V J1101
13	FG3-3066-000		1	CABLE, HIGH VOLTAGE	100V J4,714
14	FG3-3067-000		1	CABLE, PSEUDO CI POWER SUPPLY	100V J559,713
14A	VS1-5057-002		1	CONNECTOR, SNAP TIGHT	100V J559

FIGURE & KEY NO.	PART NUMBER	RANK	QTY	DESCRIPTION	SERIAL NUMBER / REMARKS
G20 - 15	FG3-3068-000		1	CABLE, PSEUDO CI	100V J539,712
15A	VS1-6318-004		1	CONNECTOR, SNAP TIGHT	100V J539
16	FH2-7032-000		1	CABLE, FLAT, 1	J1,102
17	FH2-7033-000		1	CABLE, FLAT, 2	220/240V J6,103
18	HH2-2830-000		1	CORD, MODULAR	100/120V

	HH2-1914-000		1	MODULAR CABLE	220V
	HH2-2478-000		1	MODULAR CORD	240V
501	XB6-7300-607		22	SCREW, TP, M3X6	
502	XB6-7300-607		4	SCREW, TP, M3X6	100V

FIGURE GB LIST OF CONNECTORS

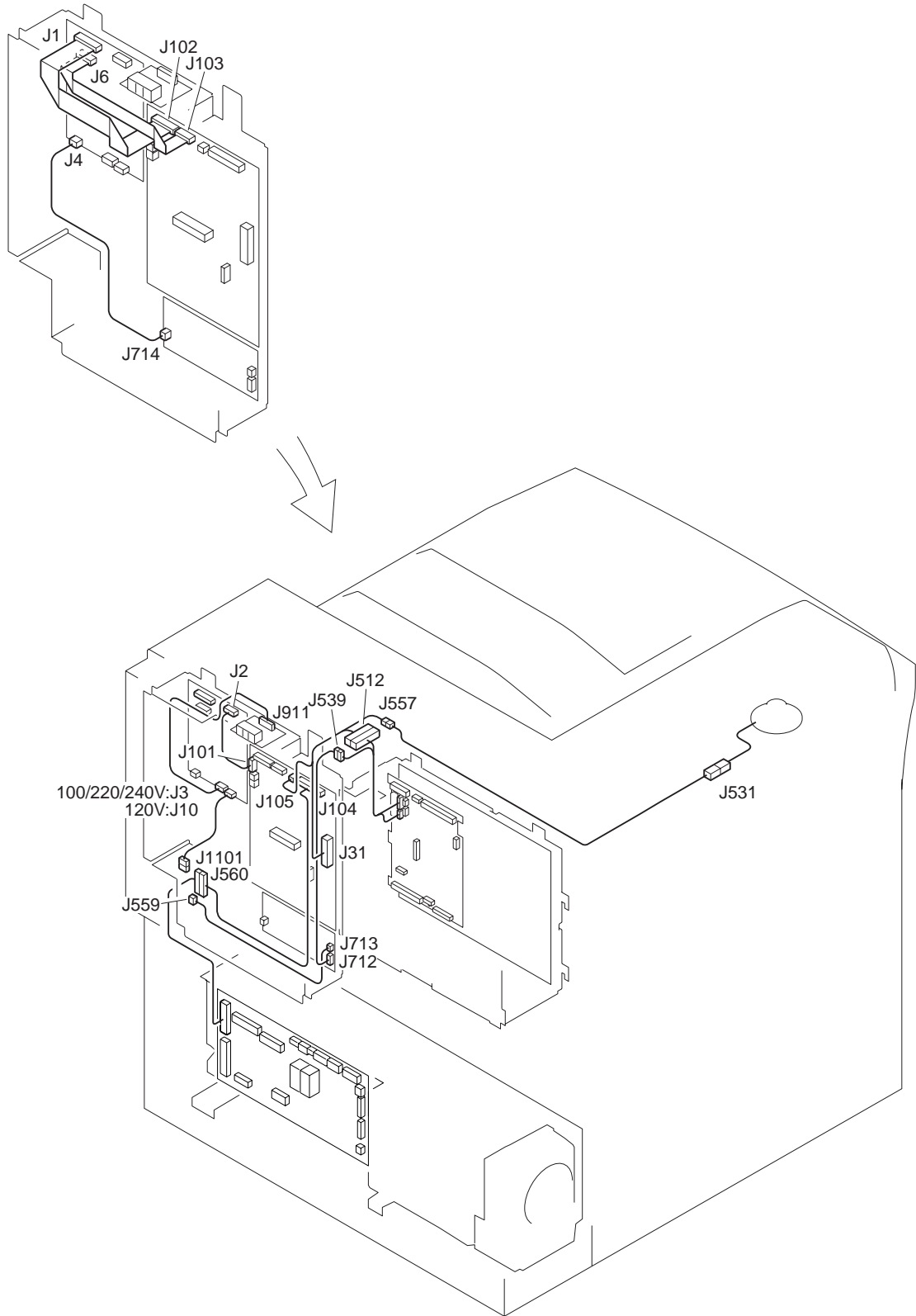


FIGURE & KEY NO.	PART NUMBER	RANK	QTY	DESCRIPTION	SERIAL NUMBER / REMARKS
GB -	NPN		RF	LIST OF CONNECTORS	
J1	PCB			NCU BOARD	
	FH2-7032-000		1	CABLE, FLAT, 1	
J2	PCB			NCU BOARD	
	VS1-5452-006		1	CONNECTOR, 6P, FEMALE	
J3	PCB			NCU BOARD	100/220/240V
	VS3-5080-007		1	CONNECTOR, 7P, FEMALE	100V
	WT1-5155-000		4	TERMINAL	100V
	VS3-0143-006		1	CONNECTOR, 6P, FEMALE	220/240V
	WS3-5251-000		6	SOCKET CONTACT	220/240V
J4	PCB			NCU BOARD	
	VS3-5080-002		1	CONNECTOR, 2P, MALE	100V
	WT1-5155-000		2	TERMINAL	100V
J6	PCB			NCU BOARD	220/240V
	FH2-7033-000		1	CABLE, FLAT, 2	220/240V
J10	PCB			NCU BOARD	120V
	VS3-5080-005		1	CONNECTOR, 5P, FEMALE	120V
	WT1-5155-000		2	TERMINAL	120V
J31	PCB			G3 FAX CONTROL	
	VS1-6313-020		1	CONNECTOR, 20P, FEMALE	
	VS1-6314-020		1	CONNECTOR, 20P, FEMALE	
	VT2-5161-040		1	HOLDER, CONNECTOR, 40P	
J101	PCB			G3 FAX CONTROL	
	VS1-5452-006		1	CONNECTOR, 6P, FEMALE	
J102	PCB			G3 FAX CONTROL	
J103	FH2-7032-000		1	CABLE, FLAT, 1	
	PCB			G3 FAX CONTROL	220/240V
	FH2-7033-000		1	CABLE, FLAT, 2	220/240V
J104	PCB			G3 FAX CONTROL	
	VS1-6302-014		1	CONNECTOR, 14P, MALE	

FIGURE & KEY NO.	PART NUMBER	RANK	QTY	DESCRIPTION	SERIAL NUMBER / REMARKS
G B - J104 J105	WS3-5569-000		12	PIN, CONTACT	
	PCB			G3 FAX CONTROL	
	VS3-0143-002		1	CONNECTOR, 2P, FEMALE	
	WS3-1105-000		2	SOCKET CONTACT	
J512	SYS		TO COPIER		
J531	VS1-6313-020		1	CONNECTOR, 20P, FEMALE	
	VS1-6314-020		1	CONNECTOR, 20P, FEMALE	
	VS1-6319-040		1	CONNECTOR, SNAP TIGHT	
	VT2-5161-040		1	HOLDER, CONNECTOR, 40P	
	SYS			TO COPIER	
J539	NPN			SPEAKER	SP1
	SYS			TO COPIER	
J557	VS1-6314-004		1	CONNECTOR, 4P, FEMALE	100V
	VS1-6318-004		1	CONNECTOR, SNAP TIGHT	100V
	SYS			TO COPIER	
J559	VS1-5057-002		1	CONNECTOR, SNAP TIGHT	
	VS1-5824-002		1	CONNECTOR, 2P, FEMALE	
	WS3-5358-000		2	SOCKET CONTACT, 22-26AWG	
	VS1-5057-002		1	CONNECTOR, SNAP TIGHT	100V
	VS1-5824-002		1	CONNECTOR, 2P, FEMALE	100V
J560	WS3-5358-000		2	SOCKET CONTACT, 22-26AWG	100V
	SYS			TO COPIER	
J712	VS1-6702-012		1	CONNECTOR, 12P, FEMALE	
	WS3-5720-000		12	SOCKET CONTACT, 22-28AWG	
	PCB			PSEUDO CI	100V
J713	VS1-6314-004		1	CONNECTOR, 4P, FEMALE	100V
	PCB			PSEUDO CI	100V
	VS3-5083-002		1	CONNECTOR, 2P, FEMALE	100V
	WS3-5160-000		2	SOCKET CONTACT, 18-24AWG	100V
J714	PCB			PSEUDO CI	100V

FIGURE & KEY NO.	PART NUMBER	RANK	QTY	DESCRIPTION	SERIAL NUMBER / REMARKS
G B - J714 J911	VS3-5083-003		1	CONNECTOR, 3P, FEMALE	100V
	WS3-5160-000		2	SOCKET CONTACT, 18-24AWG	100V
	PCB			G3 MODULAR	
	VS3-5080-007		1	CONNECTOR, 7P, FEMALE	100/120V
	WT1-5155-000		4	TERMINAL	100V
J1101	WT1-5155-000		2	TERMINAL	120V
	VS3-0143-011		1	CONNECTOR, 11P, FEMALE	220/240V
	WS3-5251-000		6	SOCKET CONTACT	220/240V
	PCB			NCU BOARD	100V
	VS1-5729-002		1	CONNECTOR, 2P, MALE	100V
	WS3-5301-000		1	PIN CONTACT	100V

UFR Printer and Scanner Kit-A1

[100V F61 - 9902]

CONTENTS

GA. ASSEMBLY LOCATION DIAGRAM

G95. UFR PRINTER AND SCANNER KIT-A1

D8. NUMERICAL INDEX

FIGURE GA ASSEMBLY LOCATION DIAGRAM

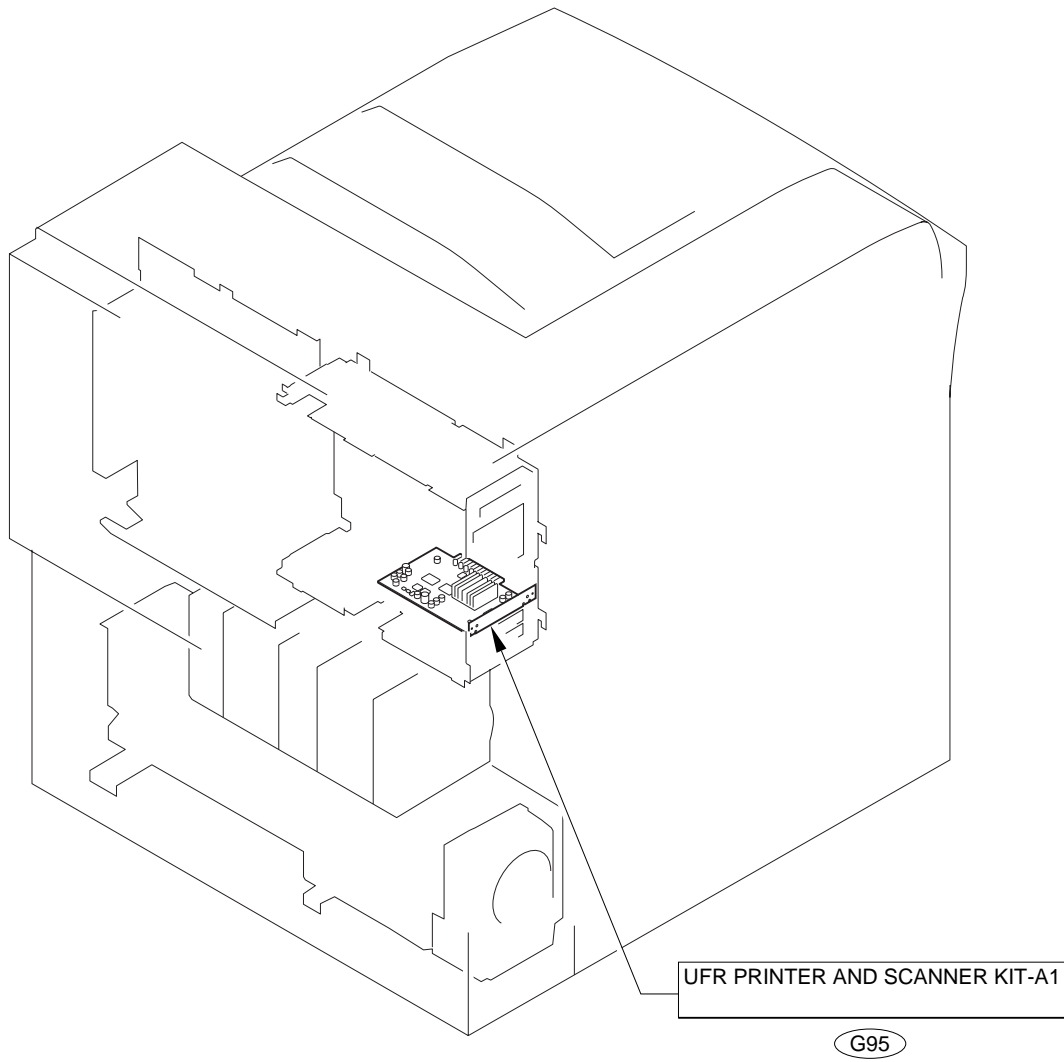
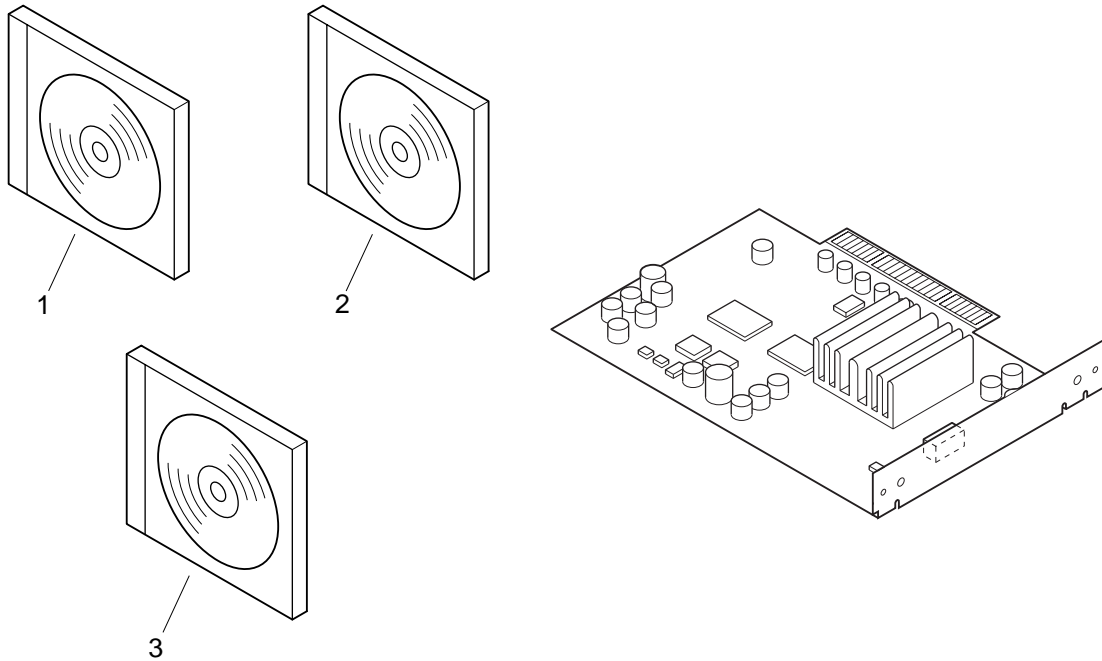


FIGURE G95 UFR PRINTER AND SCANNER KIT-A1



NOTE : This assembly does not include the parts shown with key No. 1, 2 and 3.

FIGURE & KEY NO.	PART NUMBER	RANK	QTY	DESCRIPTION	SERIAL NUMBER / REMARKS
G95 -	FG6-8983-000		1	UFR BOARD PCB ASSEMBLY	
1	FH5-3395-000		1	CD-ROM, SYSTEM	SEE NOTE
2	FH5-3399-000		1	CD-ROM, UFR USER SOFTWARE	SEE NOTE
3	FH5-3401-000		1	CD-ROM,COLOR NETWORK SCAN GEAR	SEE NOTE

Color Network Multi-PDL Printer Kit-A1

USA	F61 - 9913
EUR	F61 - 9913

CONTENTS

GA. ASSEMBLY LOCATION DIAGRAM

G96. C.N/W MULTI-PDL PRINTER KIT-A1

D9. NUMERICAL INDEX

FIGURE GA ASSEMBLY LOCATION DIAGRAM

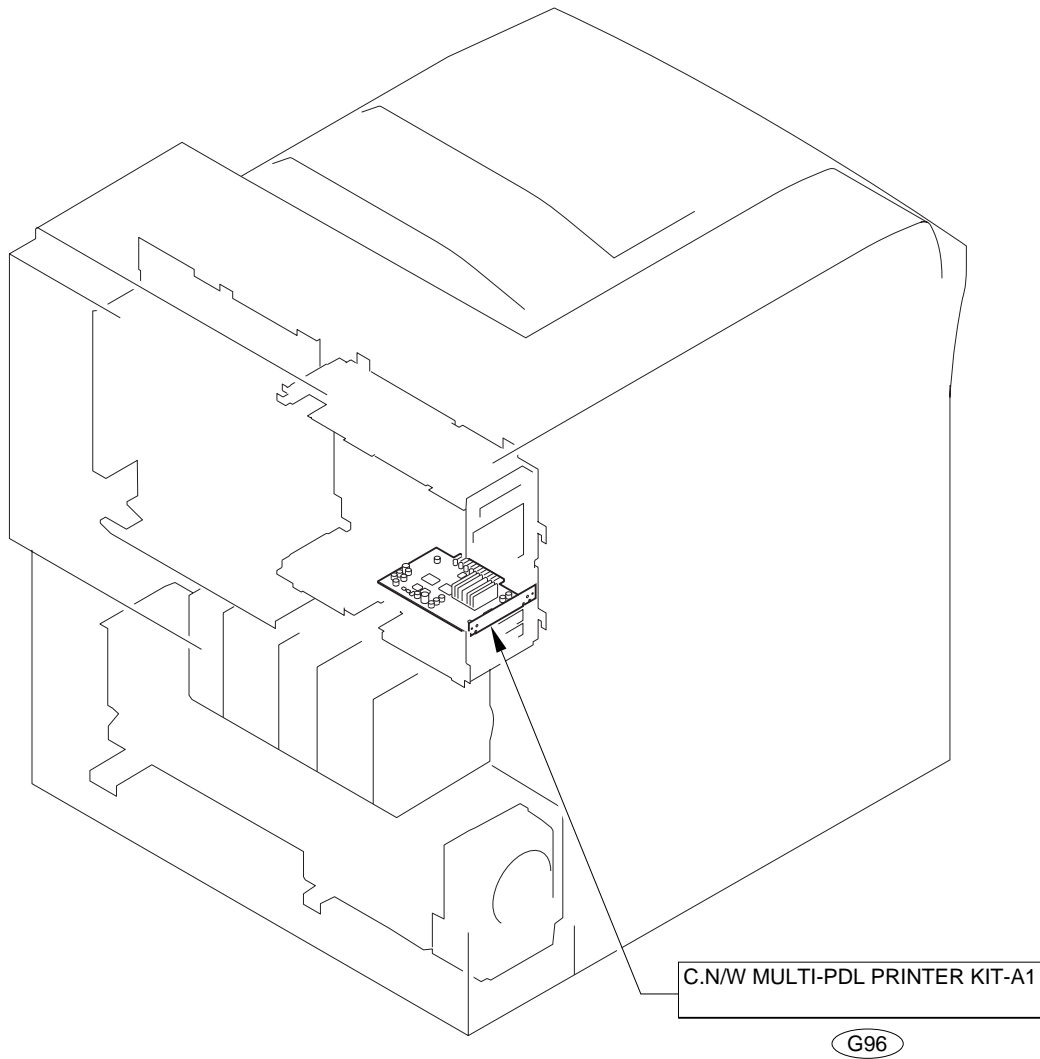


FIGURE G96 C.N/W MULTI-PDL PRINTER KIT-A1

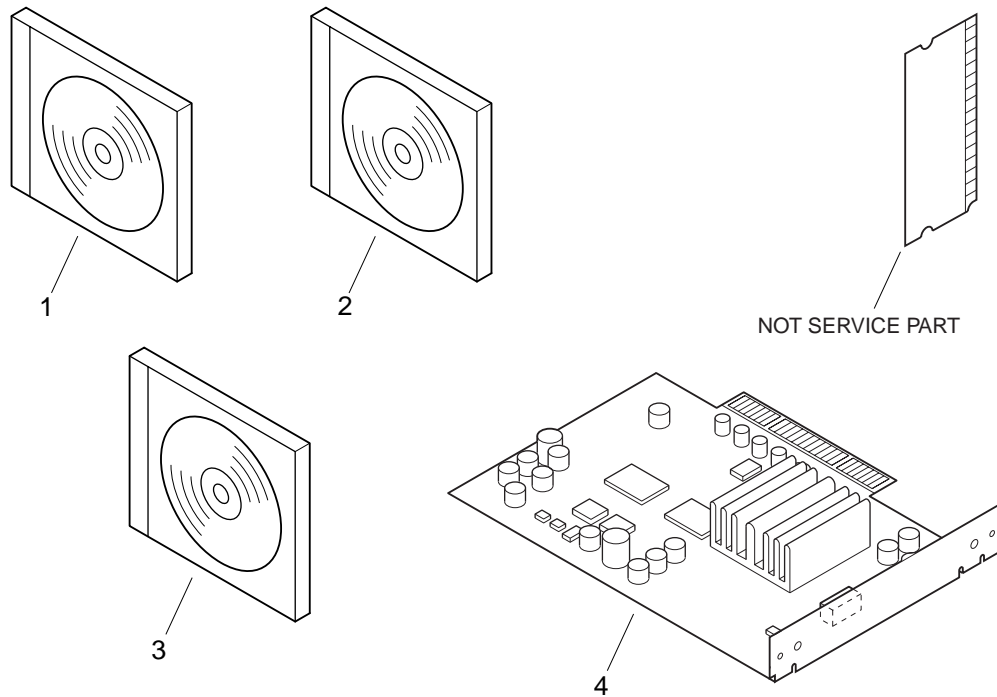


FIGURE & KEY NO.	PART NUMBER	RANK	QTY	DESCRIPTION	SERIAL NUMBER / REMARKS
G96 -	NPN		RF	C.N/W MULTI-PDL PRINTER KIT-A1	
1	FH5-3388-000		1	CD-ROM, DRIVER SOFTWARE DISC 1	
2	FH5-3390-000		1	CD-ROM,COLOR NETWORK SCAN GEAR	
3	FH5-3391-000		1	CD-ROM, DRIVER SOFTWARE DISC 2	FRENCH/SPANISH
	FH5-3392-000		1	CD-ROM, DRIVER SOFTWARE DISC 2	GERMAN/ITALIAN
4	FG6-8983-000		1	UFR BOARD PCB ASSEMBLY	

Color Universal Send Kit-A1

Send 拡張キット・B1P
〔 JPN F61 - 9919 〕

Color Universal Send Kit-A1P
〔 USA F61 - 9919 〕

Color Universal Send Kit-A1P
〔 EUR F61 - 9919 〕

Send 拡張キット・B1U
〔 JPN F61 - 9939 〕

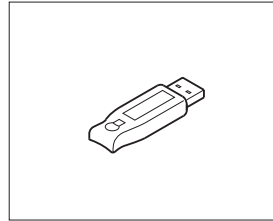
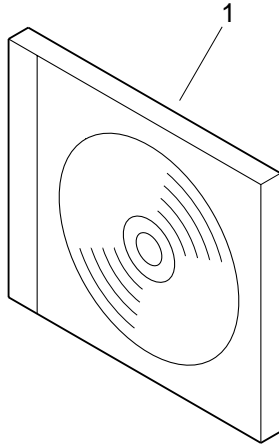
Color Universal Send Kit-A1U
〔 EUR F61 - 9939 〕

CONTENTS

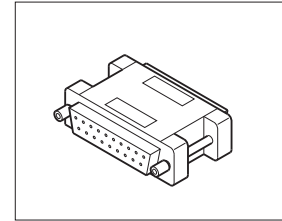
Y10. COLOR UNIVERSAL SEND KIT-A1

D10. NUMERICAL INDEX

FIGURE Y10 COLOR UNIVERSAL SEND KIT-A1



USB TYPE



PARALLEL TYPE

FIGURE & KEY NO.	PART NUMBER	RANK	QTY	DESCRIPTION	SERIAL NUMBER / REMARKS
Y10 - 1	NPN FH5-3393-000		RF 1	COLOR UNIVERSAL SEND KIT-A1 CD-ROM, SET-UP TOOL	

iR Security Kit-A1

iR Security Kit-A1P
〔 USA/EUR F61 - 9004 〕

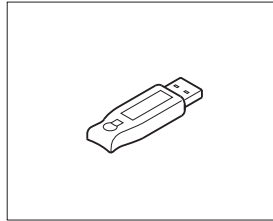
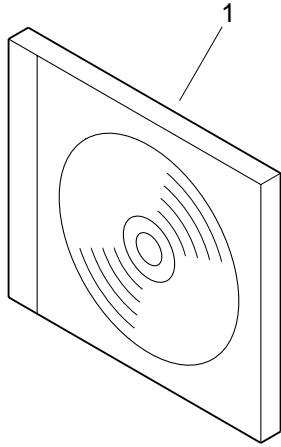
iR Security Kit-A1U
〔 EUR F61 - 9949 〕

CONTENTS

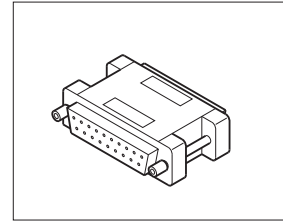
Y10. IR SECURITY KIT-A1

D11. NUMERICAL INDEX

FIGURE Y10 IR SECURITY KIT-A1



USB TYPE



PARALLEL TYPE

FIGURE & KEY NO.	PART NUMBER	RANK	QTY	DESCRIPTION	SERIAL NUMBER / REMARKS
Y10 -	NPN		RF	IR SECURITY KIT-A1	
1	FH5-3363-000		1	CD-ROM, SET-UP TOOL	A1P
	FH5-3394-000		1	CD-ROM, SET-UP TOOL	A1U

D1 NUMERICAL INDEX (Color Image Reader-C1)

PART NUMBER	FIGURE & KEY NO.	PART NUMBER	FIGURE & KEY NO.	PART NUMBER	FIGURE & KEY NO.
FA3-9315-000	100 - 1	FH2-6987-000	100 - 8	XB2-8300-807	420 - 501
FA9-3880-000	210 - 1		B - J 303		430 - 502
FA9-3881-000	210 - 2		B - J 1401	XB3-6400-800	001 - 501
FB4-0711-000	100 - 1 2 A	FH3-0969-000	941 - T3		001 - 502
FB4-0726-000	210 - 3	FH3-7213-000	210 - 20		100 - 503
FB4-0799-000	420 - 1	FH4-3950-000	931 - I C 7		210 - 503
FB4-0864-000	430 - 1	FH4-6165-000	931 - I C 16		210 - 504
FB6-4842-000	160 - 1	FH4-6202-000	941 - I C 1		210 - 505
FB6-4843-000	160 - 2	FH7-4749-000	210 - 21	XB4-7401-009	160 - 501
FB6-4844-000	160 - 3	FH7-4750-000	210 - 21	XB6-7300-607	210 - 506
FC5-0081-000	210 - 4	FH7-7462-000	210 - 22		430 - 503
FC5-0082-000	210 - 5	FH7-7619-000	210 - 23	XD2-1100-502	001 - 503
FC5-0083-000	210 - 6		210 - 23	XD2-1100-642	210 - 507
FC5-0084-000	100 - 2	FL2-0011-000	100 - 9		210 - 508
FC5-0085-000	100 - 3	FL2-0013-000	100 - 10		430 - 504
FC5-0086-000	100 - 4	FL2-0014-000	100 - 11		430 - 505
FC5-0092-000	100 - 5	FL2-0015-000	210 - 24	XF9-0731-000	210 - 35
FC5-0096-000	430 - 2	FL2-0020-000	420 - 4	XG9-0208-000	210 - 36
FC5-0101-000	210 - 2 4 A	FL2-0026-000	210 - 25		
FC5-0102-000	100 - 1 2 B	FL2-0382-000	001 - 10		
FC5-0103-000	100 - 1 2 C	FL2-0383-000	001 - 11		
FC5-0110-000	100 - 1 2 B	FL2-0384-000	001 - 12		
FC5-0112-000	100 - 1 2 C	FL2-0385-000	001 - 13		
FC5-0127-000	420 - 2	FL2-0615-000	210 - 26		
	430 - 3	FM2-0023-000	210 - 31		
FC5-0128-000	420 - 3	FM2-0026-000	420 -		
FC5-0136-000	430 - 4	FM2-0027-000	420 - 5		
FC5-0137-000	430 - 5	FM2-0030-000	430 -		
	430 - 6	FM2-0035-000	210 - 27		
FC5-0140-000	210 - 7	FM2-0036-000	941 -		
FC5-0145-000	210 - 8	FM2-0037-000	210 - 28		
FC5-0158-000	210 - 9	FM2-0040-000	210 - 29		
FC5-0160-000	100 - 6	FM2-0393-000	100 - 12		
FC5-0161-000	210 - 10	FM2-0595-000	100 - 12		
FC5-0165-000	430 - 7	FM2-0596-000	210 - 30		
FC5-0166-000	100 - 9 A	FM2-0598-000	100 - 12		
	100 - 10 A	FM2-0599-000	100 - 12		
	100 - 11 A	FM2-0600-000	100 - 12		
FC5-1571-000	001 - 1	FM2-0603-000	210 - 31		
FC5-1574-000	001 - 2	FN5-4117-000	430 - 10		
FC5-1575-000	001 - 3	FN7-4008-000	430 - 11		
FC5-1576-000	001 - 4	FS5-1599-000	210 - 32		
FC5-1578-000	001 - 5	FS5-9400-000	001 - 14		
FC5-1581-000	001 - 6		001 - 15		
FC5-1585-000	001 - 7	FS5-9773-000	100 - 13		
FC5-1586-000	001 - 8	FU5-2021-000	210 - 33		
FC5-2789-000	430 - 8	FU5-8203-000	100 - 14		
FC5-2792-000	100 - 7	FU5-8204-000	100 - 14		
FC5-3231-000	100 - 1 2 B	FU5-8205-000	100 - 14		
FC5-3232-000	100 - 1 2 B	FU5-8206-000	100 - 14		
FC5-3233-000	100 - 1 2 B	FU5-8207-000	100 - 14		
FC5-3234-000	100 - 1 2 C	FU5-8208-000	100 - 14		
FC5-3235-000	100 - 1 2 C	FU5-8209-000	100 - 14		
FC5-3236-000	100 - 1 2 C	FU5-8210-000	100 - 14		
FC5-4158-000	001 - 9	FU5-8211-000	100 - 14		
FC5-4763-000	430 - 9	FU5-9026-000	001 - 16		
FE5-3633-000	160 - 6 A	FU5-9028-000	001 - 17		
FE5-3634-000	160 - 4	VS1-5452-007	B - J 3		
FE5-4380-000	160 - 5		B - J 305		
FF6-2562-000	160 - 6	VS1-6314-003	B - J 311		
FG3-2564-000	931 -		B - J 401		
FG3-2570-000	931 -	VS1-6314-006	B - J 310		
FG3-2612-000	210 - 11	VS1-6321-003	B - J 5		
FG3-2613-000	210 - 12		B - J 6		
FG6-9614-000	160 -	VS1-6534-008	B - J 201		
FH2-5006-000	210 - 13	VS1-6534-009	B - J 309		
FH2-5821-000	B - J 2	VS3-5083-003	B - J 301		
FH2-6480-000	B - J 3		B - J 402		
FH2-6491-000	210 - 14	WS3-5160-000	B - J 301		
FH2-6552-000	210 - 15		B - J 402		
FH2-6718-000	210 - 16	WS3-5264-000	B - J 2		
FH2-6981-000	210 - 17	WS3-5596-000	B - J 3		
	B - J 101	WS3-5658-000	B - J 201		
	B - J 204		B - J 309		
FH2-6982-000	210 - 18	WS5-5062-000	B - J 1		
	B - J 102	WT2-5565-000	210 - 11 A		
	B - J 205	XA9-0425-000	430 - 12		
FH2-6983-000	B - J 203	XA9-0546-020	210 - 34		
	B - J 307	XB1-2260-607	941 - 501		
FH2-6984-000	B - J 202	XB1-2300-607	210 - 501		
	B - J 308		430 - 501		
FH2-6985-000	210 - 19	XB1-2400-407	100 - 501		
	B - J 206	XB1-2400-607	210 - 502		
	B - J 601		941 - 502		
FH2-6986-000	B - J 2	XB1-3400-807	100 - 502		

PART NUMBER	FIGURE & KEY NO.	PART NUMBER	FIGURE & KEY NO.	PART NUMBER	FIGURE & KEY NO.
FA1-0056-000	315 - 5	FB6-3120-000	104 - 15	FB6-3346-000	365 - 3
FA2-7162-000	100 - 18A	FB6-3124-000	101 - 10A	FB6-3348-000	365 - 4
FA3-0652-000	810 - 31	FB6-3127-000	101 - 10B	FB6-3349-000	365 - 5
FA3-8727-000	104 - 10	FB6-3131-000	560 - 12G	FB6-3350-000	365 - 6
FA3-8894-000	810 - 1	FB6-3134-000	560 - 12A	FB6-3351-000	365 - 7
FA4-1159-000	315 - 6	FB6-3135-000	560 - 1	FB6-3356-000	365 - 8
FA9-3941-000	810 - 27	FB6-3136-000	560 - 2	FB6-3357-000	365 - 9
FA9-3942-000	810 - 51	FB6-3137-000	108 - 5	FB6-3358-000	365 - 10
FB1-7173-000	101 - 1	FB6-3138-000	108 - 6	FB6-3359-000	365 - 11
FB1-7234-000	810 - 2	FB6-3139-000	100 - 18D	FB6-3360-000	365 - 12
FB1-8581-000	315 - 8	FB6-3143-000	105 - 9	FB6-3361-000	365 - 13
FB2-4375-000	810 - 3	FB6-3145-000	105 - 10	FB6-3366-000	105 - 12
FB2-4456-000	100 - 28	FB6-3146-000	560 - 3	FB6-3371-000	103 - 5
FB2-6285-000	271 - 1	FB6-3149-000	560 - 12B	FB6-3376-000	100 - 49
	315 - 88	FB6-3150-000	560 - 9	FB6-3380-000	310 - 1
FB2-7867-020	101 - 21		560 - 12C	FB6-3386-000	310 - 2
FB4-3064-000	120 - 1		810 - 37	FB6-3387-000	310 - 3
FB4-3066-000	120 - 2	FB6-3152-000	104 - 16	FB6-3388-000	310 - 4
FB4-5967-000	125 - 6	FB6-3156-000	108 - 7	FB6-3389-000	310 - 5
FB5-0873-000	315 - 9	FB6-3158-000	101 - 3	FB6-3390-000	310 - 6
FB5-2172-000	130 - 1	FB6-3163-000	272 - 1	FB6-3391-000	310 - 7
FB5-3698-000	130 - 2	FB6-3167-000	190 - 1	FB6-3392-000	310 - 8
FB5-3699-000	130 - 3	FB6-3169-000	107 - 2A	FB6-3393-000	310 - 9
FB5-3728-000	130 - 4	FB6-3172-000	103 - 26	FB6-3394-000	310 - 10
FB5-4896-000	351 - 2		104 - 24	FB6-3395-000	310 - 11
FB5-8385-000	100 - 27	FB6-3173-000	104 - 25	FB6-3396-000	310 - 12
	100 - 31	FB6-3175-000	104 - 26	FB6-3397-000	310 - 13
	102 - 22	FB6-3179-000	104 - 27	FB6-3398-000	310 - 14
FB5-9570-000	351 - 3	FB6-3180-000	104 - 28	FB6-3399-000	310 - 15
FB5-9803-000	351 - 4	FB6-3181-000	104 - 29	FB6-3402-000	310 - 18
FB6-2930-000	535 - 1	FB6-3187-000	104 - 1	FB6-3403-000	310 - 19
FB6-2931-000	535 - 37	FB6-3188-000	104 - 2	FB6-3404-000	310 - 20
FB6-2932-000	535 - 2	FB6-3189-000	104 - 3	FB6-3405-000	310 - 21
FB6-2934-000	535 - 3	FB6-3190-000	104 - 20	FB6-3407-000	310 - 22
FB6-2936-000	535 - 4	FB6-3192-000	104 - 31	FB6-3408-000	310 - 23
FB6-2938-000	535 - 5	FB6-3193-000	104 - 32	FB6-3410-000	310 - 17
FB6-2939-000	535 - 6	FB6-3194-000	101 - 48		315 - 27
FB6-2940-000	535 - 7	FB6-3195-000	101 - 4	FB6-3411-000	310 - 24
FB6-2941-000	535 - 8	FB6-3196-000	101 - 5	FB6-3413-000	310 - 29
FB6-2942-000	535 - 9	FB6-3199-000	101 - 22	FB6-3440-000	107 - 1
FB6-2944-000	535 - 10	FB6-3202-000	101 - 23	FB6-3442-000	102 - 2
FB6-2945-000	535 - 11	FB6-3203-000	101 - 24	FB6-3443-000	100 - 1
FB6-2947-000	535 - 12	FB6-3205-000	101 - 25	FB6-3450-000	316 - 1
FB6-2948-000	535 - 13	FB6-3207-000	101 - 26	FB6-3451-000	316 - 2
FB6-2951-000	535 - 14	FB6-3216-000	120 - 3	FB6-3452-000	316 - 3
FB6-2953-000	535 - 29	FB6-3218-000	120 - 4	FB6-3454-000	316 - 4
FB6-2954-000	535 - 30	FB6-3232-000	106 - 3	FB6-3455-000	316 - 5
FB6-2955-000	535 - 31	FB6-3235-000	910 - 5	FB6-3456-000	316 - 6
FB6-2957-000	535 - 15	FB6-3237-000	280 - 9	FB6-3457-000	316 - 7
FB6-2958-000	535 - 16	FB6-3261-000	105 - 1	FB6-3458-000	316 - 8
FB6-2960-000	103 - 9	FB6-3262-000	105 - 2	FB6-3459-000	316 - 9
FB6-2961-000	103 - 10	FB6-3263-000	105 - 3	FB6-3463-000	315 - 29
FB6-2964-000	103 - 15	FB6-3273-000	321 - 1	FB6-3464-000	315 - 30
FB6-2965-000	103 - 11	FB6-3275-000	321 - 5A	FB6-3465-000	315 - 31
	103 - 16	FB6-3277-000	103 - 25	FB6-3466-000	315 - 32
FB6-2967-000	103 - 17	FB6-3278-000	103 - 21	FB6-3467-000	315 - 33
FB6-2968-000	103 - 12	FB6-3279-000	103 - 22	FB6-3470-000	315 - 35
	103 - 18	FB6-3280-000	103 - 23	FB6-3471-000	315 - 36
FB6-2973-000	100 - 18B	FB6-3281-000	103 - 24	FB6-3472-000	315 - 2
FB6-2974-000	535 - 17	FB6-3282-000	101 - 45	FB6-3473-000	315 - 77
FB6-2985-000	102 - 24	FB6-3283-000	101 - 46	FB6-3474-000	315 - 78
FB6-2986-000	102 - 23	FB6-3285-000	103 - 27	FB6-3475-000	300 - 1
FB6-2987-000	101 - 20	FB6-3288-000	103 - 3	FB6-3478-000	300 - 2
FB6-2988-000	101 - 40	FB6-3289-000	103 - 4	FB6-3479-000	300 - 3
FB6-2990-000	101 - 2	FB6-3291-000	321 - 2	FB6-3480-000	300 - 4
FB6-2991-000	103 - 1	FB6-3292-000	321 - 3	FB6-3481-000	300 - 5
FB6-2992-000	102 - 1	FB6-3293-000	321 - 4	FB6-3482-000	300 - 6
FB6-2993-000	103 - 2	FB6-3302-000	315 - 11	FB6-3483-000	300 - 7
FB6-2994-000	100 - 18C	FB6-3303-000	315 - 12	FB6-3484-000	300 - 8
FB6-3006-000	100 - 48	FB6-3305-000	315 - 14	FB6-3485-000	300 - 9
FB6-3046-000	271 - 2	FB6-3306-000	315 - 15	FB6-3486-000	300 - 10
FB6-3051-000	100 - 38	FB6-3308-000	315 - 16	FB6-3487-000	300 - 11
FB6-3073-000	900 - 1	FB6-3309-000	315 - 17	FB6-3488-000	300 - 12
FB6-3076-000	900 - 2	FB6-3310-000	315 - 18	FB6-3489-000	300 - 13
FB6-3095-000	981 - 1	FB6-3311-000	315 - 19	FB6-3490-000	300 - 14
FB6-3096-000	981 - 2	FB6-3313-000	100 - 22A	FB6-3491-000	300 - 15
FB6-3104-000	900 - 3		315 - 20	FB6-3492-000	102 - 17
FB6-3105-000	100 - 39	FB6-3314-000	315 - 1	FB6-3493-000	102 - 16
FB6-3106-000	100 - 40	FB6-3315-000	315 - 21	FB6-3494-000	102 - 15
FB6-3109-000	108 - 1	FB6-3316-000	106 - 5	FB6-3499-000	300 - 17A
FB6-3113-000	537 - 2	FB6-3317-000	315 - 26	FB6-3503-000	100 - 22B
FB6-3116-000	104 - 11	FB6-3320-000	315 - 22	FB6-3504-000	100 - 2
FB6-3117-000	104 - 12	FB6-3323-000	315 - 24	FB6-3506-000	300 - 16
FB6-3118-000	104 - 13	FB6-3331-000	100 - 22C	FB6-3507-000	102 - 10
FB6-3119-000	104 - 14	FB6-3332-000	100 - 22D		102 - 20

PART NUMBER	FIGURE & KEY NO.	PART NUMBER	FIGURE & KEY NO.	PART NUMBER	FIGURE & KEY NO.
FB6-3508-000	316 - 11	FB6-3651-000	810 - 13	FB6-3850-000	560 - 7A
FB6-3522-000	300 - 23	FB6-3652-000	810 - 43G	FB6-3853-000	560 - 4
FB6-3523-000	300 - 24	FB6-3653-000	810 - 15	FB6-3854-000	560 - 5
FB6-3524-000	300 - 25	FB6-3657-000	810 - 16	FB6-3855-000	560 - 6
FB6-3526-000	106 - 6	FB6-3658-000	810 - 17	FB6-3858-000	315 - 81
FB6-3527-000	106 - 6	FB6-3659-000	810 - 18	FB6-3859-000	315 - 82
FB6-3528-000	106 - 6	FB6-3660-000	810 - 19	FB6-3860-000	101 - 41B
FB6-3529-000	106 - 6	FB6-3662-000	810 - 20	FB6-3862-000	101 - 10J
FB6-3532-000	351 - 5	FB6-3663-000	810 - 21	FB6-3863-000	315 - 83
FB6-3534-000	351 - 7	FB6-3664-000	810 - 22	FB6-3864-000	315 - 84
FB6-3541-000	351 - 10	FB6-3665-000	810 - 23		365 - 14
FB6-3544-000	351 - 11	FB6-3666-000	810 - 24	FB6-3866-000	125 - 3
FB6-3545-000	351 - 12	FB6-3667-000	810 - 25	FB6-3867-000	125 - 4
FB6-3547-000	125 - 7	FB6-3668-000	810 - 26	FB6-3869-000	351 - 36
FB6-3548-000	125 - 16	FB6-3669-000	810 - 43C	FB6-3874-000	351 - 37
FB6-3549-000	125 - 15	FB6-3670-000	810 - 28	FB6-3875-000	351 - 6
FB6-3551-000	125 - 9	FB6-3671-000	810 - 29	FB6-3876-000	125 - 14
FB6-3552-000	125 - 10	FB6-3673-000	810 - 30	FB6-3877-000	351 - 8
FB6-3553-000	125 - 11	FB6-3675-000	810 - 32	FB6-3878-000	315 - 34A
FB6-3554-000	125 - 12	FB6-3676-000	810 - 33	FB6-3879-000	810 - 5
FB6-3555-000	125 - 13	FB6-3677-000	810 - 34	FB6-3880-000	360 - 30
	361 - 3	FB6-3678-000	810 - 35	FB6-3882-000	101 - 41A
FB6-3557-000	125 - 2	FB6-3679-000	106 - 1	FB6-3885-000	810 - 44
FB6-3561-000	100 - 24	FB6-3683-000	330 - 5	FB6-3886-000	100 - 52
	100 - 25	FB6-3684-000	330 - 6	FB6-3888-000	360 - 3
FB6-3562-000	100 - 26		360 - 25	FB6-3889-000	360 - 4
	100 - 30	FB6-3686-000	330 - 7	FB6-3890-000	360 - 17
FB6-3564-000	351 - 13		360 - 26	FB6-3891-000	360 - 18
FB6-3566-000	100 - 32	FB6-3689-000	106 - 8	FB6-3892-000	361 - 43
FB6-3569-000	100 - 33	FB6-3693-000	106 - 9	FB6-3893-000	360 - 34
FB6-3572-000	360 - 2	FB6-3694-000	330 - 12	FB6-3894-000	100 - 44
FB6-3576-000	360 - 5	FB6-3695-000	330 - 13	FB6-3895-000	100 - 44
FB6-3577-000	360 - 6	FB6-3698-000	330 - 8	FB6-3896-000	100 - 44
FB6-3578-000	360 - 7		360 - 29	FB6-3897-000	351 - 27
FB6-3579-000	330 - 1	FB6-3700-000	350 - 4	FB6-3932-000	106 - 4
	360 - 8	FB6-3702-000	350 - 5	FB6-3933-000	106 - 2
FB6-3580-000	360 - 9	FB6-3703-000	350 - 6	FB6-3934-000	330 - 30
FB6-3581-000	360 - 10	FB6-3705-000	350 - 8		360 - 40
FB6-3583-000	360 - 11	FB6-3706-000	350 - 9	FB6-3935-000	350 - 7
FB6-3584-000	360 - 12	FB6-3707-000	350 - 10	FB6-3936-000	350 - 22
FB6-3585-000	360 - 13	FB6-3710-000	810 - 36	FB6-3939-000	560 - 12D
FB6-3586-000	361 - 24A	FB6-3722-000	100 - 3	FB6-3944-000	130 - 5
	361 - 26	FB6-3728-000	360 - 31	FB6-3945-000	130 - 6
	361 - 27A	FB6-3729-000	361 - 19	FB6-3946-000	130 - 7
FB6-3588-000	330 - 2	FB6-3765-000	100 - 4	FB6-3947-000	130 - 8
	360 - 14	FB6-3766-000	100 - 5	FB6-3950-000	100 - 16
FB6-3589-000	360 - 15	FB6-3767-000	100 - 6	FB6-3951-000	130 - 9
FB6-3590-000	360 - 16	FB6-3768-000	100 - 7	FB6-3953-000	130 - 20
FB6-3595-000	360 - 19	FB6-3769-000	100 - 8	FB6-3961-000	102 - 9
FB6-3599-000	360 - 22	FB6-3771-000	100 - 36	FB6-3962-000	102 - 8
FB6-3600-000	330 - 3		100 - 50	FB6-3963-000	102 - 7
	360 - 23	FB6-3775-000	100 - 9	FB6-3964-000	360 - 51
FB6-3602-000	361 - 5	FB6-3776-000	100 - 10	FB6-4849-000	315 - 10
FB6-3603-000	361 - 6	FB6-3777-000	100 - 11	FB6-4850-000	315 - 13
FB6-3604-000	361 - 1	FB6-3778-000	100 - 12	FB6-4851-000	315 - 23
FB6-3606-000	361 - 7	FB6-3785-000	100 - 13	FB6-4852-000	310 - 16
FB6-3610-000	350 - 1	FB6-3788-000	100 - 17A	FB6-4862-000	361 - 4
	361 - 9	FB6-3791-000	100 - 19	FB6-4863-000	315 - 85
FB6-3611-000	350 - 2	FB6-3792-000	100 - 20	FB6-4867-000	106 - 6
	361 - 10	FB6-3793-000	100 - 41	FB6-4868-000	106 - 15
FB6-3612-000	350 - 3	FB6-3797-000	192 - 1	FB6-4869-000	106 - 16
	361 - 28	FB6-3800-000	104 - 6	FB6-4870-000	100 - 14
FB6-3613-000	361 - 11	FB6-3801-000	104 - 7	FB6-4873-000	315 - 25
FB6-3614-000	361 - 12	FB6-3807-000	104 - 8		360 - 1
FB6-3617-000	361 - 24B	FB6-3819-000	101 - 27		361 - 2
FB6-3618-000	361 - 13	FB6-3820-000	101 - 28	FB6-4890-000	100 - 44
FB6-3620-000	361 - 15	FB6-3821-000	101 - 29	FB6-4891-000	300 - 28
FB6-3621-000	361 - 16	FB6-3822-000	101 - 30	FB6-4892-000	300 - 28
FB6-3622-000	361 - 42	FB6-3827-000	101 - 11	FB6-4893-000	300 - 28
FB6-3623-000	361 - 17	FB6-3828-000	101 - 12	FB6-4894-000	300 - 28
FB6-3626-000	361 - 18	FB6-3829-000	101 - 13	FB6-4895-000	300 - 28
FB6-3627-000	361 - 25	FB6-3830-000	101 - 14	FB6-4896-000	300 - 28
FB6-3629-000	360 - 72	FB6-3831-000	101 - 15	FB6-4897-000	300 - 28
FB6-3630-000	360 - 73	FB6-3832-000	101 - 16	FB6-4898-000	300 - 28
FB6-3631-000	101 - 42	FB6-3833-000	101 - 17	FB6-4906-000	102 - 29
FB6-3638-000	330 - 4	FB6-3834-000	100 - 14	FB6-4907-000	102 - 30
	360 - 24	FB6-3835-000	100 - 15	FB6-4908-000	330 - 9
FB6-3641-000	810 - 4	FB6-3839-000	105 - 13		360 - 20
FB6-3643-000	810 - 6	FB6-3843-000	361 - 20	FB6-4909-000	810 - 41
FB6-3644-000	810 - 7	FB6-3846-000	350 - 19	FB6-4918-000	330 - 10
FB6-3645-000	810 - 8		361 - 21		360 - 27
FB6-3646-000	810 - 9	FB6-3847-000	350 - 20	FB6-4919-000	125 - 8
FB6-3647-000	810 - 10		361 - 22	FB6-4920-000	100 - 44
FB6-3649-000	810 - 43A	FB6-3848-000	350 - 21	FB6-4923-000	100 - 44
FB6-3650-000	810 - 43B		361 - 23	FB6-4937-000	316 - 12

PART NUMBER	FIGURE & KEY NO.	PART NUMBER	FIGURE & KEY NO.	PART NUMBER	FIGURE & KEY NO.
FB6-4938-000	315 - 80	FG3-2345-000	107 - 3	FG6-9013-000	120 -
FB6-5060-000	102 - 4	FG3-2346-000	105 - 6	FG6-9015-000	107 - 6
FB6-5450-000	100 - 45	FG3-2347-000	102 - 18		120 - 9
FB6-5451-000	100 - 46	FG3-2348-000	102 - 11	FG6-9016-000	194 -
FC5-0166-000	100 - 37	FG3-2350-000	108 - 9	FG6-9019-000	100 - 22
	100 - 51	FG3-2351-000	108 - 10	FG6-9021-000	365 -
	125 - 1	FG3-2352-000	105 - 21	FG6-9022-000	365 -
FF2-5915-000	105 - 4	FG3-2353-000	105 - 22	FG6-9025-000	260 -
FF3-4436-000	910 - 4A	FG3-2354-000	105 - 23	FG6-9027-000	310 -
FF5-6279-000	351 - 1	FG3-2356-000	930 -	FG6-9042-000	316 -
FF6-2016-000	103 - 13	FG3-2362-000	900 - 8	FG6-9044-000	300 -
FF6-2017-000	103 - 19	FG3-2363-000	900 - 9	FG6-9050-000	351 -
FF6-2032-000	537 - 3	FG3-2364-000	105 - 24	FG6-9052-000	125 -
FF6-2033-000	104 - 17	FG3-2365-000	535 - 28	FG6-9058-000	360 -
FF6-2034-000	105 - 11	FG3-2366-000	107 - 8	FG6-9059-000	361 -
FF6-2038-000	101 - 7	FG3-2367-000	535 - 35	FG6-9065-000	193 -
FF6-2039-000	104 - 5	FG3-2368-000	535 - 36	FG6-9066-000	810 -
FF6-2044-000	280 - 1	FG3-2372-000	251 - 1	FG6-9068-000	350 -
FF6-2046-000	321 - 5		272 - 14	FG6-9069-000	810 -
FF6-2047-000	103 - 8	FG3-2374-000	101 - 10G	FG6-9070-000	810 -
FF6-2054-000	365 - 15	FG3-2375-000	101 - 10H	FG6-9079-000	280 - 11
FF6-2058-000	310 - 25	FG3-2380-000	260 - 3	FG6-9080-000	315 -
FF6-2059-000	310 - 26	FG3-2381-000	305 - 1	FG6-9081-000	315 -
FF6-2063-000	102 - 19	FG3-2383-000	107 - 5	FG6-9164-000	130 - 17
FF6-2064-000	300 - 17	FG3-2385-000	981 - 3	FG6-9165-000	130 - 18
FF6-2065-000	315 - 37	FG3-2387-000	980 - 1	FG6-9166-000	130 - 19
FF6-2070-000	351 - 15	FG3-2390-000	108 - 14	FG6-9644-000	810 - 38
FF6-2075-000	361 - 24	FG3-2392-000	251 - 2	FG6-9645-000	810 - 43
FF6-2079-000	330 - 14	FG3-2393-000	305 - 1	FG6-9646-000	810 - 38
	360 - 32	FG3-2395-000	305 - 2	FG6-9647-000	810 - 38
FF6-2081-000	330 - 15	FG3-2396-000	980 - 2	FG6-9671-000	108 - 11
	360 - 33	FG3-2644-000	900 - 10	FG6-9673-000	980 -
FF6-2085-000	101 - 9	FG3-2645-000	900 - 11	FG6-9674-000	981 -
FF6-2099-000	101 - 31	FG3-2646-000	900 - 12	FG6-9676-000	900 - 18
FF6-2100-000	108 - 2	FG3-2718-000	900 - 15	FG6-9685-000	535 -
FF6-2101-000	365 - 16	FG3-2721-000	900 - 16	FG6-9688-000	251 -
FF6-2102-000	365 - 17	FG3-2722-000	900 - 20	FG6-9689-000	270 -
FF6-2104-000	130 - 10	FG3-2724-000	900 - 19	FG6-9690-000	560 -
FF6-2106-000	104 - 9	FG3-2727-000	900 - 17	FG6-9691-000	560 - 12
FF6-2107-000	104 - 4	FG3-3002-000	360 - 71	FG6-9692-000	360 -
FF6-2110-000	101 - 32	FG3-3003-000	930 -	FG6-9695-000	350 -
FF6-2114-000	101 - 10C	FG3-3004-000	105 - 5	FG6-9696-000	315 -
FF6-2116-000	361 - 27	FG3-3005-000	105 - 26	FG6-9697-000	315 -
FF6-2117-000	361 - 8	FG3-3129-000	900 - 15	FG6-9749-000	305 - 7
FF6-2118-000	361 - 14	FG3-3133-000	900 - 16	FG9-3985-000	102 - 26
FF6-2127-000	560 - 7	FG3-3134-000	900 - 17	FG9-3986-000	102 - 26
FF6-2128-000	361 - 44	FG3-3136-000	900 - 19	FH2-5006-000	100 - 23
FF6-2129-000	365 - 18	FG3-3147-000	900 - 13	FH2-5761-020	910 - 1
FF6-2130-000	100 - 24	FG6-8927-000	100 - 17	FH2-5763-000	910 - 9
FF6-2131-000	351 - 14	FG6-8932-000	130 -	FH2-5824-000	108 - 13
FF6-2132-000	100 - 42	FG6-8933-000	130 -	FH2-5825-000	B - J565
FF6-2134-000	315 - 34	FG6-8934-000	130 -	FH2-6480-000	B - J950
FF6-2136-000	315 - 28	FG6-8935-000	130 -	FH2-6552-000	108 - 4
FF6-2141-000	106 - 10	FG6-8936-000	130 - 16	FH2-6718-000	910 - 3
FF6-2143-000	330 - 22	FG6-8937-000	130 - 13	FH2-6719-000	910 - 2
	360 - 52	FG6-8938-000	130 - 14	FH2-6855-000	B - J565
FF6-2145-000	351 - 9	FG6-8939-000	130 - 15	FH2-6941-000	910 - 8
FF6-2147-000	360 - 21	FG6-8940-000	130 - 16	FH2-7019-000	900 - 5
FF6-2150-000	560 - 7	FG6-8942-000	535 -		B - J1210
FF6-2155-000	102 - 28	FG6-8945-000	100 - 18	FH2-7037-000	130 - 11
FF6-2156-000	102 - 27	FG6-8946-000	108 - 3	FH2-9249-000	108 - 8
FG3-2299-000	106 - 12	FG6-8956-000	107 - 2	FH6-0784-000	130 - 12
FG3-2301-000	316 - 10	FG6-8960-000	321 -	FH6-1253-000	360 - 74
FG3-2302-000	310 - 59	FG6-8962-000	460 -	FH6-1579-000	194 - 1
FG3-2303-000	315 - 75	FG6-8964-000	251 -	FH6-1971-000	271 - 3
FG3-2304-000	315 - 76	FG6-8965-000	271 -	FH6-1972-000	260 - 1
FG3-2305-000	365 - 29	FG6-8966-000	270 -	FH6-1973-000	270 - 1
FG3-2306-000	365 - 1	FG6-8968-000	190 -		315 - 38
FG3-2309-000	105 - 19	FG6-8970-000	910 - 10	FH6-1974-000	360 - 35
FG3-2310-000	105 - 20	FG6-8971-000	910 - 10	FH6-1975-000	351 - 16
FG3-2311-000	351 - 32	FG6-8981-000	251 - 3		351 - 33
FG3-2312-000	360 - 69	FG6-8983-000	900 - 4	FH6-1979-000	192 - 2
FG3-2313-000	360 - 78	FG6-8989-000	537 -		910 - 6
FG3-2314-000	101 - 10F	FG6-8991-000	101 - 10	FH6-1980-000	190 - 2
FG3-2315-000	321 - 9	FG6-8992-000	101 - 41	FH6-1981-000	191 - 1
FG3-2318-000	321 - 10	FG6-8993-000	560 -	FH6-1982-000	193 - 1
FG3-2319-000	103 - 6	FG6-8995-000	191 -	FH6-1983-000	900 - 6
FG3-2320-000	535 - 33	FG6-8997-000	560 - 12	FH6-5052-000	360 - 36
FG3-2321-000	535 - 34	FG6-8999-000	272 -	FH6-5053-000	315 - 39
FG3-2326-000	270 - 3	FG6-9000-000	101 - 8	FH6-5054-000	101 - 43
FG3-2337-000	910 - 4	FG6-9004-000	272 - 15	FH6-5055-000	310 - 27
FG3-2340-000	305 - 4	FG6-9005-000	101 - 19	FH6-5056-000	360 - 37
FG3-2341-000	305 - 4	FG6-9008-000	192 -	FH7-4739-000	810 - 40
FG3-2342-000	305 - 5	FG6-9011-000	280 -	FH7-4740-000	305 - 6
FG3-2344-000	272 - 13	FG6-9012-000	100 - 21	FH7-4742-000	305 - 6

PART NUMBER	FIGURE & KEY NO.	PART NUMBER	FIGURE & KEY NO.	PART NUMBER	FIGURE & KEY NO.
FH7-6345-000	810 - 43D	FS7-2784-000	535 - 32	FU3-0267-000	535 - 23
FH7-6357-000	107 - 7	FS7-2785-000	103 - 14	FU3-0268-000	535 - 24
FH7-7312-000	107 - 4		103 - 20	FU3-0270-000	315 - 58
	120 - 5	FS7-2787-000	315 - 51	FU3-0271-000	315 - 59
	272 - 2	FS7-2788-000	100 - 22F	FU3-0272-000	315 - 60
	310 - 28		360 - 49	FU3-0273-000	315 - 61
	315 - 40		361 - 31	FU3-0274-000	315 - 62
	316 - 13	FS7-2789-000	100 - 22G	FU3-0275-000	315 - 63
	351 - 17	FS7-2790-000	365 - 23	FU3-0276-000	315 - 64
	351 - 34	FS7-2791-000	365 - 24	FU3-0277-000	315 - 65
	360 - 38	FS7-2792-000	365 - 25		361 - 34
	360 - 75	FS7-2793-000	365 - 26	FU3-0278-000	315 - 66
	365 - 19	FS7-2796-000	105 - 7	FU3-0280-000	310 - 41
	365 - 20		365 - 27	FU3-0282-000	310 - 43
	810 - 42	FS7-2797-000	310 - 33	FU3-0283-000	310 - 44
FH7-7462-000	105 - 14	FS7-2798-000	310 - 34	FU3-0284-000	310 - 45
FH7-7527-000	910 - 7	FS7-2800-000	310 - 35	FU3-0285-000	260 - 2
FH7-7528-000	910 - 7	FS7-2801-000	310 - 36	FU3-0288-000	310 - 47
FH7-7586-000	810 - 43E	FS7-2802-000	310 - 37	FU3-0289-000	310 - 48
FH7-7587-000	810 - 43F	FS7-2803-000	310 - 38	FU3-0290-000	310 - 49
FH7-7600-000	316 - 14	FS7-2804-000	300 - 18	FU3-0291-000	310 - 50
FH7-7601-000	321 - 6	FS7-2805-000	300 - 19	FU3-0292-000	310 - 51
FH7-7602-000	103 - 7	FS7-2806-000	300 - 20	FU3-0293-000	300 - 21
FS1-1187-000	351 - 18	FS7-2807-000	102 - 14	FU3-0294-000	300 - 22
FS1-1205-000	310 - 30	FS7-2808-000	102 - 13	FU3-0295-000	315 - 67
FS1-1213-000	310 - 60	FS7-2809-000	315 - 54	FU3-0296-000	315 - 68
FS1-1465-000	330 - 17	FS7-2810-000	315 - 55	FU3-0297-000	315 - 69
	360 - 39	FS7-2811-000	315 - 3	FU3-0298-000	315 - 70
FS1-1512-000	315 - 43	FS7-2812-000	315 - 56	FU3-0301-000	350 - 15
FS1-9010-000	120 - 6	FS7-2813-000	315 - 79	FU3-0302-000	272 - 6
	537 - 4	FS7-2814-000	810 - 46	FU3-0303-000	272 - 7
FS2-1544-000	351 - 19	FS7-2815-000	810 - 47	FU3-0304-000	272 - 8
FS2-2783-000	315 - 41	FS7-2816-000	810 - 48	FU3-0305-000	272 - 9
FS5-0353-000	351 - 20	FS7-2817-000	810 - 49	FU3-0306-000	272 - 10
FS5-1209-000	315 - 42	FS7-2818-000	330 - 20	FU3-0308-000	101 - 36
FS5-1581-000	272 - 3	FS7-2822-000	330 - 24	FU3-0309-000	101 - 37
FS5-1595-000	100 - 22E		360 - 54	FU3-0310-000	360 - 56
	315 - 44	FS7-2823-000	350 - 13	FU3-0311-000	360 - 57
	315 - 45	FS7-2825-000	272 - 5	FU3-0312-000	330 - 26
	360 - 41	FS7-2826-000	101 - 35		360 - 58
	361 - 29	FS7-2827-000	104 - 30	FU3-0313-000	330 - 27
FS5-1597-000	310 - 31	FS7-2828-000	350 - 14		360 - 59
	315 - 46		361 - 32	FU3-0314-000	330 - 28
FS5-3989-000	351 - 21	FS7-2829-000	330 - 25		360 - 60
	360 - 42		360 - 55	FU3-0315-000	330 - 29
FS5-6488-000	280 - 2	FS7-2830-000	361 - 33		360 - 61
FS5-6945-000	315 - 47	FS7-2831-000	361 - 35	FU3-0316-000	361 - 36
FS5-6946-000	350 - 11	FS7-2832-000	360 - 76	FU3-0317-000	350 - 16
FS5-6947-000	810 - 45	FS7-2833-000	101 - 44		361 - 37
FS5-6948-000	330 - 18	FS7-2834-000	125 - 18	FU3-0318-000	360 - 77
	360 - 43	FS7-2835-000	280 - 3	FU3-0319-000	351 - 22
FS5-6949-000	101 - 33	FS7-2838-000	271 - 5	FU3-0322-000	351 - 23
FS5-6950-000	330 - 19	FS7-2839-000	315 - 57	FU3-0323-000	351 - 24
	360 - 44	FS7-2840-000	537 - 5	FU3-0324-000	351 - 25
FS5-6954-000	271 - 4	FS7-2842-000	104 - 21	FU3-0325-000	125 - 19
FS5-6955-000	365 - 2	FS7-2843-000	104 - 22	FU3-0332-000	271 - 6
FS5-6957-000	537 - 1	FS7-2844-000	101 - 10D	FU3-0333-000	271 - 7
FS5-9161-000	100 - 47	FS7-2845-000	101 - 10E	FU3-0334-000	271 - 8
FS5-9274-000	100 - 34	FS7-2846-000	560 - 8	FU3-0335-000	271 - 9
FS5-9753-000	365 - 21	FS7-2847-000	106 - 7	FU3-0336-000	271 - 10
FS5-9754-000	101 - 34	FS7-2848-000	105 - 16	FU3-0337-000	270 - 2
FS5-9758-000	105 - 8	FS7-2849-000	101 - 47	FU3-0338-000	280 - 4
	365 - 22	FS7-2850-000	321 - 7	FU3-0339-000	280 - 5
FS5-9760-000	105 - 15	FS7-2851-000	321 - 8	FU3-0340-000	280 - 6
FS5-9761-000	315 - 86	FS7-2852-000	810 - 50	FU3-0341-000	280 - 7
FS6-1055-000	315 - 48	FS7-2853-000	105 - 17	FU3-0342-000	280 - 8
FS6-1057-000	315 - 49	FS7-2854-000	120 - 8	FU3-0343-000	104 - 23
FS6-1058-000	315 - 50	FS7-2855-000	100 - 35	FU3-0344-000	560 - 12F
FS6-1059-000	125 - 17	FS7-2856-000	560 - 10	FU3-0345-000	104 - 33
FS6-1060-000	104 - 18	FS7-2857-000	560 - 11	FU3-0347-000	310 - 53
FS6-1062-000	535 - 18	FS7-2859-000	351 - 30	FU3-0349-000	310 - 42
FS6-1063-000	310 - 32	FS7-2860-000	315 - 52	FU3-0350-000	310 - 52
FS6-1066-000	560 - 12E		315 - 53	FU3-0352-000	310 - 46
FS6-2785-000	120 - 7	FS7-2861-000	330 - 23	PCB	B - J1
FS6-3001-000	360 - 45		360 - 53		B - J2
FS6-3002-000	360 - 46	FS7-2862-000	330 - 16		B - J3
FS6-3003-000	360 - 47		360 - 70		B - J3
FS6-8116-000	300 - 27	FS7-2863-000	315 - 87		B - J5
FS7-0128-000	350 - 12	FS7-2865-000	102 - 25		B - J7
	361 - 30	FS7-2867-000	360 - 50		B - J8
FS7-0579-000	104 - 19	FS7-5909-000	310 - 39		B - J11
FS7-2360-000	360 - 48	FS7-5910-000	310 - 40		B - J13
FS7-2781-000	535 - 19	FS7-8328-000	300 - 26		B - J50
FS7-2782-000	535 - 20	FS7-8329-000	460 - 1		B - J51
FS7-2783-000	535 - 21	FU3-0266-000	535 - 22		B - J52

PART NUMBER	FIGURE & KEY NO.	PART NUMBER	FIGURE & KEY NO.	PART NUMBER	FIGURE & KEY NO.		
PCB	B - J53	PCB	B - J153	RB1-6486-000	125 - 5		
	B - J54		B - J154	RB1-6539-000	310 - 54		
	B - J56		B - J155	RB1-6653-000	330 - 31		
	B - J57		B - J300		360 - 62		
	B - J58		B - J301	RB1-6666-000	125 - 21		
	B - J59		B - J302		351 - 26		
	B - J60		B - J303	RB1-8945-000	310 - 55		
	B - J61		B - J304	RB2-0493-000	361 - 38		
	B - J62		B - J305		361 - 45		
	B - J64		B - J306		810 - 39		
	B - J66		B - J307	RB2-5850-000	315 - 72		
	B - J67		B - J308	RB2-6870-000	535 - 25		
	B - J68		B - J440	RB2-6925-000	321 - 5B		
	B - J69		B - J441	RB2-7043-000	272 - 11		
	B - J70		B - J442	RB9-0255-000	361 - 39		
	B - J70C		B - J511	RG5-5469-000	251 - 4		
	B - J70K		B - J514		272 - 4		
	B - J70M		B - J520	RH7-6037-000	105 - 18		
	B - J70Y		B - J538	RH7-7129-000	315 - 73		
	B - J71		B - J564	RS5-1060-000	350 - 17		
	B - J71C		B - J607		361 - 40		
	B - J71K		B - J611	RS5-1101-000	125 - 20		
	B - J71M		B - J615	RS5-1324-000	351 - 28		
	B - J71Y		B - J619	RS5-1325-000	350 - 18		
	B - J72C		B - J713		351 - 29		
	B - J72K		B - J714		360 - 63		
	B - J72M		B - J759		361 - 41		
	B - J72Y		B - J816	RS5-1567-000	310 - 56		
	B - J73CK		B - J956		315 - 74		
	B - J73YM		B - J957	VS1-0842-003	B - J301		
	B - J74		B - J958		B - J302		
	B - J75		B - J959		B - J303		
	B - J76		B - J992		B - J304		
	B - J77		B - J1110		B - J305		
	B - J78		B - J1111		B - J306		
	B - J79		B - J1112		B - J307		
	B - J80		B - J1113		B - J308		
	B - J81		B - J1114		B - J313		
	B - J82		B - J1115		B - J314		
	B - J83		B - J1116		B - J315		
	B - J84CK		B - J1117		B - J316		
	B - J84YM		B - J1123	VS1-0842-004	B - J155		
	B - J85		B - J1204	VS1-0842-009	B - J53		
	B - J86		B - J1207	VS1-0842-012	B - J1000		
	B - J87		B - J1208	VS1-5057-002	105 - 5A		
	B - J88		B - J1209		105 - 19A		
	B - J88		B - J1209		105 - 26B		
	B - J89		B - J1210		272 - 12		
	B - J90		B - J1211		305 - 2A		
	B - J91		B - J1213		310 - 59A		
	B - J92		B - J1215		315 - 75A		
	B - J94		B - J1216		360 - 69A		
	B - J95		B - J1224		900 - 11A		
	B - J97		B - J1224		B - J410		
	B - J99		B - J1225		B - J411		
	B - J100		B - J1301		B - J412		
	B - J102		B - J1302		B - J531		
	B - J103		B - J1303		B - J536		
	B - J104		B - J1304		B - J537		
	B - J105		B - J1305		B - J557		
	B - J106		B - J1309		B - J668		
	B - J107		B - J1311		B - J670		
	B - J108		B - J1315		B - J672		
	B - J108		B - J1316		B - J674		
	B - J109		B - J1318		B - J707		
	B - J109		B - J1336		B - J762		
	B - J110		B - J1342		B - J805		
	B - J111		B - J1342		B - J815		
	B - J112		B - J1400		B - J857		
	B - J113		B - J1401		B - J863		
	B - J114		B - J1501	VS1-5057-003	105 - 19B		
	B - J115		B - J1502		190 - 3		
	B - J116		B - J1503		193 - 2		
	B - J117		B - J1504		272 - 13A		
	B - J118		B - J1505		305 - 2B		
	B - J120		B - J1507		315 - 76A		
	B - J123		B - J1508		360 - 78A		
	B - J124		B - J1509		900 - 12A		
	B - J125		B - J1510		B - J407		
	B - J126		B - J1511		B - J540		
	B - J127		B - J1512		B - J669		
	B - J128		B - J1513		B - J671		
	B - J129		315 - 71		B - J673		
	B - J131		365 - 28		B - J675		
	B - J132		106 - 11		B - J700		
			RB1-2152-000				
			RB1-6484-000				

PART NUMBER	FIGURE & KEY NO.	PART NUMBER	FIGURE & KEY NO.	PART NUMBER	FIGURE & KEY NO.
VS1-5057-003	B - J716 B - J721 B - J757 B - J806 B - J812 B - J820 B - J1120	VS1-6225-012 VS1-6225-018 VS1-6226-036 VS1-6302-002 VS1-6302-004	B - J115 B - J117 B - J117 B - J91 B - J68 B - J440 B - J71	VS1-6314-011 VS1-6314-012	B - J109 B - J800 B - J1110 B - J1116 B - J76 B - J87 B - J703
VS1-5057-004	105 - 19C 107 - 5A B - J562 B - J720 B - J813	VS1-6302-006 VS1-6302-007 VS1-6302-012	B - J109 B - J560 B - J1311 B - J1504 B - J61	VS1-6314-013	B - J80 B - J89 B - J102 B - J108 B - J127
VS1-5057-005	105 - 19D B - J708	VS1-6302-014 VS1-6313-009 VS1-6313-010	B - J802 B - J126 B - J129 B - J801		B - J403 B - J406 B - J441 B - J702
VS1-5057-006	315 - 75B 360 - 69B B - J98 B - J413 B - J756	VS1-6313-011 VS1-6313-012 VS1-6313-013	B - J109 B - J406 B - J102 B - J108	VS1-6314-014	B - J1111 B - J1117 B - J51 B - J104
VS1-5057-008	260 - 3A B - J851		B - J127 B - J403 B - J441		B - J123 B - J128 B - J132
VS1-5057-010	900 - 11B B - J521		B - J104 B - J442 B - J852		B - J300 B - J442 B - J850
VS1-5057-012	900 - 13A B - J524 B - J1000	VS1-6313-014	B - J750 B - J755 B - J107	VS1-6314-015 VS1-6314-016	B - J852 B - J951 B - J750 B - J72C B - J72K B - J72M B - J72Y
VS1-5452-007	B - J103 B - J950 B - J963	VS1-6313-015	B - J105 B - J510 B - J511 B - J1121		B - J77 B - J78 B - J79 B - J94
VS1-5452-008	B - J950 B - J962 B - J96	VS1-6313-016 VS1-6313-017 VS1-6313-018	B - J107 B - J105 B - J510 B - J511 B - J1121		B - J94 B - J107 B - J110 B - J755
VS1-5729-002	B - J1100 B - J561		B - J1304 B - J92 B - J131 B - J512		B - J105 B - J510 B - J511 B - J1121 B - J1304
VS1-5729-004	B - J561	VS1-6313-020	B - J92 B - J131 B - J512 B - J1103		B - J110 B - J755 B - J105 B - J510 B - J511 B - J1121 B - J1304
VS1-5820-002	108 - 10A B - J558		B - J1309 B - J1316 B - J752 B - J956	VS1-6314-017 VS1-6314-018	B - J77 B - J78 B - J79 B - J94 B - J107 B - J110 B - J755
VS1-5820-007	108 - 10B B - J963		B - J958 B - J964 B - J965 B - J1124 B - J1125	VS1-6314-020	B - J105 B - J510 B - J511 B - J1121 B - J1304 B - J75 B - J88
VS1-5820-008	108 - 10C B - J962	VS1-6314-002 VS1-6314-003	B - J404 B - J539 B - J953 B - J1336		B - J131 B - J512 B - J1102 B - J1309
VS1-5824-002	B - J66 B - J74 B - J106 B - J559 B - J805 B - J1509	VS1-6314-004	B - J50 B - J522 B - J807 B - J808 B - J957 B - J959	VS1-6318-003	102 - 26A 321 - 10A 365 - 29A B - J752 B - J964 B - J965 B - J1124 B - J1125
VS1-5824-003	B - J88 B - J407 B - J414 B - J564 B - J803 B - J804 B - J806	VS1-6314-005	B - J1508 B - J538 B - J952 B - J960 B - J1225 B - J1318 B - J1513	VS1-6318-004	B - J75 B - J88 B - J131 B - J512 B - J1102 B - J1309
VS1-5824-004	B - J562		B - J50 B - J522 B - J807 B - J808 B - J957 B - J959		102 - 26A 321 - 10A 365 - 29A B - J752 B - J964 B - J965 B - J1124 B - J1125
VS1-5824-006	B - J98		B - J1124 B - J1125		B - J75 B - J88 B - J131 B - J512 B - J1102 B - J1309
VS1-5824-012	B - J116 B - J120	VS1-6314-006	B - J1508 B - J538 B - J952 B - J960 B - J1225 B - J1318 B - J1513	VS1-6318-005	B - J75 B - J88 B - J131 B - J512 B - J1102 B - J1309
VS1-5824-013	B - J114 B - J118 B - J154		B - J960 B - J1225 B - J1318 B - J1513 B - J111 B - J535 B - J769 B - J1213 B - J1315 B - J1507	VS1-6318-006	103 - 6A 365 - 1A B - J404 B - J953
VS1-5976-004	B - J153		B - J960 B - J1225 B - J1318 B - J1513 B - J111 B - J535 B - J769 B - J1213 B - J1315 B - J1507	VS1-6318-007	102 - 18A B - J807 B - J808
VS1-5976-009	B - J54	VS1-6314-008	B - J769 B - J1213 B - J1315 B - J1507	VS1-6318-008	105 - 25 B - J952
VS1-5976-012	B - J69		B - J1507 B - J520 B - J701 B - J73CK B - J73YM B - J90 B - J95 B - J97 B - J99	VS1-6318-009	270 - 3A 900 - 11C B - J535 B - J769
VS1-6084-007	B - J103		B - J99 B - J126 B - J129 B - J801 B - J802 B - J1104 B - J1105 B - J1305	VS1-6318-010	106 - 13 B - J703
VS1-6197-014	B - J103	VS1-6314-009		VS1-6318-011	102 - 18B 981 - 3A B - J801 B - J1104 B - J1105
VS1-6225-003	B - J309 B - J310 B - J311 B - J312 B - J607 B - J611 B - J615 B - J619	VS1-6314-010		VS1-6318-012	105 - 20A B - J800
VS1-6225-004	B - J605 B - J609 B - J613 B - J617 B - J606 B - J610 B - J614 B - J618			VS1-6318-013	106 - 14 B - J701 105 - 19E B - J702
VS1-6225-005	B - J606 B - J610 B - J614 B - J618				
VS1-6225-009	B - J600 B - J601 B - J603 B - J604				

PART NUMBER	FIGURE & KEY NO.	PART NUMBER	FIGURE & KEY NO.	PART NUMBER	FIGURE & KEY NO.																																																																																																																																																																																																												
VS1-6318-014	105 - 27 310 - 57 B - J850 B - J852 B - J951	VS1-6321-004	B - J652 B - J653 B - J720 B - J761 B - J763 B - J813 B - J854 B - J860 B - J961 B - J408 B - J704 B - J705 B - J708 B - J809 B - J810 B - J413 B - J756 B - J514 B - J814 B - J851 B - J1511 B - J521 B - J523 B - J524 B - J93 B - J70 B - J1505 B - J59 B - J1502 B - J60 B - J1501 B - J1208 B - J1503 B - J10 B - J57 B - J95 B - J58 B - J56 B - J112 B - J1215 B - J113 B - J1216 B - J600 B - J601 B - J603 B - J604 B - J117 B - J802 B - J802 B - J654 B - J655 B - J802 B - J802 365 - 1C B - J406 105 - 6B B - J755 360 - 64 B - J755 B - J660 B - J661 B - J662 B - J663 B - J660 B - J661 B - J662 B - J663 B - J124 B - J654 B - J125 B - J655 B - J108 B - J52 B - J558 B - J608 B - J612 B - J616 B - J620 B - J62 B - J96 B - J1100 B - J1101 B - J5 B - J71C B - J71K	VS1-6321-005	VS1-6321-006	VS1-6321-008	VS1-6321-010	VS1-6321-012	VS1-6361-002	VS1-6361-004	VS1-6361-006	VS1-6361-008	VS1-6361-010	VS1-6380-002	VS1-6380-003	VS1-6380-004	VS1-6380-006	VS1-6407-032	VS1-6407-080	VS1-6492-009	VS1-6507-018	VS1-6757-009	VS1-6757-010	VS1-6910-008	VS1-6910-009	VS1-6917-019	VS1-6918-019	VS1-6919-025	VS1-6919-031	VS1-6920-025	VS1-6920-031	VS1-6930-002	VS1-6930-003	VS1-6930-008	VS1-6930-009	VS3-0276-007	VS3-5080-002	VS3-5080-012	VS3-5083-002	VS3-5083-003																																																																																																																																																																									
VS1-6318-020	980 - 1A 980 - 2A B - J1102 B - J1103	VS1-6321-012	B - J93	VS3-5083-003	B - J71M B - J71Y B - J81 B - J85 B - J561 B - J67 B - J82 B - J84CK B - J84YM B - J86 B - J83 B - J64 B - J100 B - J70C B - J70K B - J70M B - J70Y B - J7 B - J3 B - J8 B - J10 B - J95 B - J12 B - J12 B - J13 B - J126 B - J129 B - J109 B - J102 B - J108 B - J127 B - J403 B - J441 B - J104 B - J442 B - J750 B - J107 B - J105 B - J510 B - J511 B - J1121 B - J1304 B - J131 B - J512 B - J1309 900 - 14 900 - 22 305 - 3 102 - 12 900 - 21 B - J3 B - J7 B - J8 B - J5 B - J62 B - J64 B - J67 B - J70C B - J70K B - J70M B - J70Y B - J71C B - J71M B - J71Y B - J81 B - J82 B - J83 B - J84CK B - J84YM B - J85 B - J86 B - J96 B - J100 B - J561 B - J1100 B - J1101 B - J108 B - J10 B - J95 B - J10 B - J56 B - J57 B - J58 B - J95	VS1-6319-026	VS1-6319-030	VS1-6319-036	VS1-6319-040	VS1-6320-003	VS1-6321-002	VS1-6321-003	VS1-6321-004	VS1-6321-005	VS1-6321-006	VS1-6321-007	VS1-6321-008	VS1-6321-009	VS1-6321-010	VS1-6321-011	VS1-6321-012	VS1-6321-013	VS1-6321-014	VS1-6321-015	VS1-6321-016	VS1-6321-017	VS1-6321-018	VS1-6321-019	VS1-6321-020	VS1-6321-021	VS1-6321-022	VS1-6321-023	VS1-6321-024	VS1-6321-025	VS1-6321-026	VS1-6321-027	VS1-6321-028	VS1-6321-029	VS1-6321-030	VS1-6321-031	VS1-6321-032	VS1-6321-033	VS1-6321-034	VS1-6321-035	VS1-6321-036	VS1-6321-037	VS1-6321-038	VS1-6321-039	VS1-6321-040	VS1-6321-041	VS1-6321-042	VS1-6321-043	VS1-6321-044	VS1-6321-045	VS1-6321-046	VS1-6321-047	VS1-6321-048	VS1-6321-049	VS1-6321-050	VS1-6321-051	VS1-6321-052	VS1-6321-053	VS1-6321-054	VS1-6321-055	VS1-6321-056	VS1-6321-057	VS1-6321-058	VS1-6321-059	VS1-6321-060	VS1-6321-061	VS1-6321-062	VS1-6321-063	VS1-6321-064	VS1-6321-065	VS1-6321-066	VS1-6321-067	VS1-6321-068	VS1-6321-069	VS1-6321-070	VS1-6321-071	VS1-6321-072	VS1-6321-073	VS1-6321-074	VS1-6321-075	VS1-6321-076	VS1-6321-077	VS1-6321-078	VS1-6321-079	VS1-6321-080	VS1-6321-081	VS1-6321-082	VS1-6321-083	VS1-6321-084	VS1-6321-085	VS1-6321-086	VS1-6321-087	VS1-6321-088	VS1-6321-089	VS1-6321-090	VS1-6321-091	VS1-6321-092	VS1-6321-093	VS1-6321-094	VS1-6321-095	VS1-6321-096	VS1-6321-097	VS1-6321-098	VS1-6321-099	VS1-6321-100	VS1-6321-101	VS1-6321-102	VS1-6321-103	VS1-6321-104	VS1-6321-105	VS1-6321-106	VS1-6321-107	VS1-6321-108	VS1-6321-109	VS1-6321-110	VS1-6321-111	VS1-6321-112	VS1-6321-113	VS1-6321-114	VS1-6321-115	VS1-6321-116	VS1-6321-117	VS1-6321-118	VS1-6321-119	VS1-6321-120	VS1-6321-121	VS1-6321-122	VS1-6321-123	VS1-6321-124	VS1-6321-125	VS1-6321-126	VS1-6321-127	VS1-6321-128	VS1-6321-129	VS1-6321-130	VS1-6321-131	VS1-6321-132	VS1-6321-133	VS1-6321-134	VS1-6321-135	VS1-6321-136	VS1-6321-137	VS1-6321-138	VS1-6321-139	VS1-6321-140	VS1-6321-141	VS1-6321-142	VS1-6321-143	VS1-6321-144	VS1-6321-145	VS1-6321-146	VS1-6321-147	VS1-6321-148	VS1-6321-149	VS1-6321-150	VS1-6321-151	VS1-6321-152	VS1-6321-153	VS1-6321-154	VS1-6321-155	VS1-6321-156	VS1-6321-157	VS1-6321-158	VS1-6321-159	VS1-6321-160	VS1-6321-161	VS1-6321-162	VS1-6321-163	VS1-6321-164	VS1-6321-165	VS1-6321-166	VS1-6321-167	VS1-6321-168	VS1-6321-169	VS1-6321-170	VS1-6321-171	VS1-6321-172	VS1-6321-173	VS1-6321-174	VS1-6321-175	VS1-6321-176	VS1-6321-177	VS1-6321-178	VS1-6321-179	VS1-6321-180	VS1-6321-181	VS1-6321-182	VS1-6321-183	VS1-6321-184	VS1-6321-185	VS1-6321-186	VS1-6321-187	VS1-6321-188	VS1-6321-189	VS1-6321-190	VS1-6321-191	VS1-6321-192	VS1-6321-193	VS1-6321-194	VS1-6321-195	VS1-6321-196	VS1-6321-197	VS1-6321-198	VS1-6321-199	VS1-6321-200

PART NUMBER	FIGURE & KEY NO.	PART NUMBER	FIGURE & KEY NO.	PART NUMBER	FIGURE & KEY NO.
WS3-5301-000	B - J96	XB1-2300-407	360 - 501	XB3-6400-800 XB4-5300-607	360 - 503
	B - J561		360 - 514		104 - 501
	B - J1100		537 - 501		104 - 504
WS3-5358-000	B - J66	XB1-2300-507	104 - 509	XB4-5300-807	560 - 502
	B - J74	XB1-2300-607	102 - 509		100 - 501
	B - J88		102 - 510		100 - 509
	B - J98		104 - 502		101 - 501
	B - J106		130 - 503		101 - 510
	B - J114		535 - 501		103 - 505
	B - J116		910 - 501		125 - 501
	B - J118	XB1-2300-807	108 - 503		130 - 502
	B - J120		360 - 504		272 - 503
	B - J407	XB1-2400-407	102 - 511		321 - 501
	B - J414	XB1-2400-603	910 - 502		351 - 503
	B - J559	XB1-2400-607	105 - 502		361 - 503
	B - J562		105 - 508		535 - 503
	B - J564		107 - 503		535 - 510
	B - J1509		108 - 504		537 - 502
WS3-5569-000	B - J71		305 - 501		980 - 501
	B - J109		360 - 502	980 - 502	
WS3-5592-000	B - J59		900 - 502	981 - 501	
	B - J60		930 - 501	981 - 502	
	B - J1208	XB1-2400-807	100 - 505	130 - 504	
	B - J1501	XB1-2402-007	910 - 503	315 - 502	
	B - J1502	XB1-2403-007	910 - 504	100 - 503	
	B - J1503	XB1-2403-009	900 - 503	315 - 508	
WS3-5596-000	B - J950	XB1-2404-007	193 - 501	315 - 509	
WS3-5680-000	B - J61	XB1-3300-607	310 - 505	316 - 501	
	B - J68	XB2-4231-209	105 - 503	330 - 503	
	B - J91	XB2-4300-607	107 - 501	350 - 502	
	B - J440	XB2-8300-607	108 - 502	360 - 505	
	B - J560		130 - 501	100 - 504	
	B - J1311		300 - 501	315 - 503	
	B - J1504		535 - 502	310 - 502	
WS3-5721-000	B - J802		535 - 509	XB4-5403-007	192 - 501
WS3-5730-000	B - J803	XB2-8300-807	101 - 502	XB4-5403-507	190 - 4
	B - J804		101 - 504	194 - 501	
	B - J805		101 - 508	XB4-6260-807	105 - 510
	B - J806		108 - 506	XB4-7300-609	100 - 507
WS3-5759-000	B - J70		361 - 502	XB6-7300-407	103 - 507
	B - J93		810 - 501	104 - 505	
	B - J1505	XB2-8301-009	101 - 505	271 - 502	
WS3-5822-000	B - J802		105 - 511	280 - 501	
WS3-5824-000	B - J802	XB2-8301-207	810 - 502	321 - 502	
WS4-0217-000	B - J12	XB2-8400-807	105 - 504	900 - 504	
	B - J13		315 - 504	900 - 505	
	B - J12		315 - 505	900 - 506	
WS4-0219-000	B - J1	XB2-8401-007	315 - 514	900 - 507	
WS5-5074-000	B - J52	XB2-8401-607	102 - 508	XB6-7300-807	103 - 506
WT1-5155-000	B - J558	XB3-6300-600	101 - 503	300 - 502	
	B - J608		102 - 504	XB6-7301-607	900 - 508
	B - J612		260 - 501	XB6-7400-607	350 - 501
	B - J616		310 - 501	361 - 508	
	B - J620	XB3-6300-800	104 - 503	XD1-1104-135	105 - 506
WT2-5565-000	102 - 18C		104 - 506	105 - 509	
	105 - 21A		106 - 502	321 - 503	
	105 - 22A		106 - 505	360 - 506	
	105 - 23A		107 - 502	365 - 504	
	105 - 24A		120 - 501	XD1-1104-138	810 - 506
	105 - 26A		270 - 501	XD1-1105-235	900 - 509
	260 - 3B		272 - 502	XD1-1106-212	270 - 503
	270 - 3B		315 - 501	535 - 504	
X62-5133-000	B - J44		315 - 506	XD1-1106-222	102 - 503
X65-5854-000	B - J44		315 - 507	XD1-1106-235	316 - 502
XA9-0605-000	100 - 18E		351 - 501	XD1-1108-211	271 - 503
XA9-0624-000	537 - 6		365 - 501	XD1-1108-212	535 - 511
XA9-0633-000	100 - 43		365 - 502	XD1-1108-225	535 - 505
XA9-0656-000	310 - 58	XB3-6400-800	100 - 502	XD1-1108-239	100 - 508
XA9-0721-000	101 - 18		101 - 509	XD1-1109-221	271 - 507
	315 - 4		102 - 502	XD1-3100-407	108 - 505
XA9-0724-000	351 - 35		102 - 505	XD1-4200-402	910 - 505
XA9-0774-000	100 - 29		102 - 507	XD2-1100-242	105 - 507
XA9-0782-000	108 - 12		102 - 512		351 - 506
XA9-0783-000	100 - 506		103 - 508	XD2-1100-282	315 - 516
XA9-0838-000	101 - 6		104 - 508		360 - 513
XA9-0896-000	900 - 7		105 - 501		361 - 509
XA9-1030-000	107 - 9		105 - 505	XD2-1100-322	272 - 504
XA9-1361-000	810 - 11		106 - 501		321 - 504
XA9-1401-000	106 - 505		106 - 503		330 - 506
XA9-1412-000	330 - 11		106 - 504		360 - 507
	360 - 28		107 - 504		810 - 503
XB1-2260-407	272 - 501		108 - 501	XD2-1100-402	361 - 501
XB1-2260-807	900 - 501		271 - 501	XD2-1100-502	103 - 501
XB1-2300-407	101 - 506		330 - 502		103 - 503
	330 - 501		351 - 502		104 - 507

PART NUMBER	FIGURE & KEY NO.	PART NUMBER	FIGURE & KEY NO.	PART NUMBER	FIGURE & KEY NO.
XD2-1100-502	125 - 502 270 - 502 271 - 504 272 - 505 280 - 503 310 - 503 315 - 510 315 - 511 330 - 507 350 - 503 351 - 504 360 - 508 361 - 504 365 - 503 535 - 506 560 - 504				
XD2-1100-642	103 - 502 103 - 504 271 - 505 315 - 512 330 - 508 351 - 505 360 - 509 535 - 507 810 - 504				
XD2-1100-802	102 - 501 102 - 506				
XD2-2300-402	350 - 504				
XD2-2300-602	330 - 504 360 - 510				
XD3-1300-102	101 - 507 360 - 511				
XD3-2200-102	315 - 513 361 - 505 560 - 501 560 - 503				
XD3-2200-122	310 - 504 330 - 505 360 - 512 361 - 506 361 - 507				
XD3-2200-142	272 - 506 315 - 515				
XD3-2200-162	280 - 502				
XD3-2200-182	271 - 506				
XD3-2200-202	535 - 508				
XD3-2300-142	810 - 505				
XF9-0733-000	360 - 65				
XF9-0734-000	360 - 66				
XF9-0735-000	360 - 67				
XF9-0736-000	351 - 31				
XG9-0177-000	102 - 6				
XG9-0211-000	315 - 7				
XG9-0245-000	535 - 26				
XG9-0264-000	271 - 11				
XG9-0407-000	280 - 10				
XG9-0415-000	535 - 27				
XG9-0476-000	102 - 5 102 - 21				
XG9-0477-000	810 - 12				
XG9-0478-000	810 - 14				
XG9-0479-000	330 - 21 360 - 68				
XH9-0059-000	102 - 3				
XZ9-0428-000	101 - 38 101 - 39				

D3

NUMERICAL INDEX (Paper Deck-P1)

PART NUMBER	FIGURE & KEY NO.	PART NUMBER	FIGURE & KEY NO.	PART NUMBER	FIGURE & KEY NO.
FA6-7751-000	R11 - 1	FB6-4872-000	R01 - 16	FS6-2674-000	R11 - 29
FA6-8257-000	R30 - 2	FF3-3462-000	R35 - 1	FS6-2675-000	R40 - 51
FA9-2112-000	R40 - 1	FF3-3463-000	R35 - 1	FS6-2676-000	R11 - 30
FB2-7702-000	R40 - 62	FF3-3464-000	R35 - 2	FS6-2677-000	R10 - 15
FB2-7720-000	R40 - 3	FF3-3465-000	R35 - 2	FS6-2678-000	R40 - 52
FB2-7721-000	R40 - 4	FF5-5282-030	R30 - 24	FS6-2895-000	R40 - 53
FB2-7755-000	R40 - 6	FF5-6137-000	R40 - 61	FS6-2897-000	R01 - 11
FB2-7777-020	R40 - 7	FF5-6148-000	R30 - 25	FS7-0423-000	R10 - 22
FB2-9248-000	R30 - 4	FF5-6157-020	R40 - 28	FS7-0801-000	R11 - 33
FB3-9188-020	R40 - 8	FF5-6160-000	R30 - 26	FS7-0802-000	R11 - 31
FB3-9192-020	R40 - 9	FF5-6161-000	R30 - 27	FS7-8327-000	R10 - 21
FB3-9193-020	R40 - 10	FF5-6163-000	R10 - 18	PCB	R B - J1
FB3-9195-020	R40 - 11	FF5-6164-020	R10 - 19		R B - J2
FB3-9196-020	R40 - 12	FF5-6171-000	R30 - 28		R B - J3
FB3-9206-000	R40 - 13	FF5-6338-000	R40 - 27		R B - J4
FB3-9207-030	R40 - 14	FF5-7529-000	R40 - 29		R B - J5
FB3-9214-000	R40 - 15	FF5-7530-000	R40 - 30		R B - J6
FB3-9216-000	R40 - 16	FF5-7532-000	R40 - 31		R B - J7
FB3-9217-000	R40 - 17	FF5-7535-000	R11 - 11		R B - J20
FB3-9235-000	R30 - 5	FF5-7536-000	R11 - 12	RH2-5283-000	R B - J26
FB3-9237-000	R30 - 6	FF5-7540-000	R40 - 63		R B - J31
FB3-9238-000	R30 - 7	FF5-7541-000	R40 - 33	VD7-0502-001	R35 - 6
FB3-9240-000	R30 - 8	FF5-7829-000	R40 - 34	VS1-0279-002	R B - J27
FB3-9241-000	R30 - 9	FF5-7830-000	R40 - 35	VS1-0852-007	R B - J1
FB3-9242-000	R30 - 10	FF6-0315-000	R01 - 10	VS1-5057-002	R11 - 32
FB3-9243-000	R30 - 11	FF6-1976-000	R40 - 32		R40 - 36A
FB3-9244-000	R30 - 12	FF6-2119-000	R10 - 17		R B - J16
FB3-9260-000	R11 - 3	FF6-2120-000	R10 - 7		R B - J18
FB3-9261-000	R11 - 4	FF6-2121-000	R01 - 8		R B - J21
FB3-9270-000	R10 - 2	FF6-2122-000	R01 - 9	VS1-5057-003	R30 - 29A
FB3-9289-000	R40 - 18	FG3-1711-000	R11 - 17		R B - J25
FB3-9290-000	R11 - 5	FG3-1712-000	R11 - 13	VS1-5057-004	R11 - 13A
FB3-9291-000	R10 - 9	FG3-1713-000	R11 - 18		R B - J19
FB3-9292-000	R10 - 10	FG5-9288-000	R10 - 20	VS1-5057-010	R11 - 13B
FB3-9293-000	R10 - 11	FG6-1641-000	R40 - 36		R B - J10
FB3-9711-000	R10 - 12	FG6-1642-000	R30 - 29	VS1-5057-014	R11 - 13C
FB3-9713-000	R40 - 19	FG6-1646-000	R11 - 16		R B - J15
FB3-9714-000	R30 - 15	FG6-2528-000	R11 - 14	VS1-5452-008	R B - J7050
FB3-9720-000	R30 - 16	FG6-2529-000	R11 - 15	VS1-6302-003	R B - J7
FB3-9723-000	R30 - 17	FG6-2531-000	R30 - 31	VS1-6302-010	R B - J4
FB3-9732-000	R10 - 17A	FG6-2534-000	R30 - 30	VS1-6313-013	R B - J5
FB3-9735-000	R30 - 18	FG6-2956-000	R35 - 3	VS1-6314-008	R B - J6
FB3-9742-000	R30 - 19	FG6-9259-000	R40 - 5	VS1-6314-013	R B - J5
FB3-9749-000	R10 - 13	FG6-9260-000	R40 -	VS1-6320-004	R B - J19
FB3-9752-000	R40 - 20	FG6-9637-000	R30 -	VS1-6320-010	R B - J10
FB4-2007-000	R40 - 21	FH2-6481-000	R B - J7050	VS1-6320-014	R B - J15
FB4-2013-000	R40 - 22	FH2-6584-000	R35 - 10	VS1-6321-002	R B - J16
FB4-4867-000	R01 - 1	FH2-6586-000	R35 - 11		R B - J18
FB4-4868-000	R40 - 23	FH6-1915-000	R11 - 19		R B - J21
FB4-4873-000	R30 - 20	FH7-1791-020	R30 - 32		R B - J28
FB4-4874-000	R30 - 21	FH7-4584-000	R35 - 5	VS1-6321-003	R B - J11
FB4-4877-000	R11 - 7	FH7-4585-000	R35 - 5		R B - J12
FB4-4878-000	R11 - 8	FH7-5826-000	R40 - 37		R B - J13
FB4-4882-000	R30 - 22	FH7-5827-000	R40 - 38		R B - J14
FB4-4887-000	R40 - 59	FH7-5828-000	R11 - 20		R B - J17
FB4-4894-000	R40 - 60	FH7-7312-000	R30 - 33		R B - J23
FB4-4898-000	R40 - 24		R40 - 39		R B - J24
FB4-4899-000	R40 - 25	FH7-7462-000	R11 - 21		R B - J25
FB4-4918-000	R01 - 13	FS1-1189-000	R11 - 23		R B - J29
FB4-4919-000	R01 - 3		R40 - 58		R B - J30
FB4-4928-000	R30 - 23	FS1-1512-000	R40 - 40	VS1-6321-004	R B - J19
FB4-4929-000	R11 - 10	FS1-1569-000	R40 - 41		R B - J20
FB4-4932-000	R01 - 5	FS1-9002-000	R01 - 12	VS1-6321-010	R B - J10
FB4-4933-000	R01 - 6	FS1-9009-000	R11 - 24	VS1-6321-014	R B - J15
FB4-4937-000	R01 - 2	FS2-0450-000	R30 - 34	VS1-6372-010	R B - J22
FB4-4938-000	R01 - 7	FS2-0484-000	R40 - 42	VS1-6373-010	R B - J22
FB4-4939-000	R01 - 14	FS2-0544-000	R11 - 25	VS3-5083-003	R B - J3
FB4-6227-000	R40 - 2	FS2-0545-000	R11 - 27	VS4-0001-003	R B - J201
FB4-9705-000	R30 - 14	FS2-9343-000	R11 - 26		R B - J202
FB4-9706-000	R30 - 13	FS5-0338-000	R40 - 43		R B - J201
FB4-9713-000	R30 - 45	FS5-2291-000	R40 - 44		R11 - 22
FB5-0553-000	R30 - 1	FS5-2885-000	R40 - 45		R B - J5
FB5-5422-000	R11 - 6	FS5-3333-000	R40 - 46	WC4-0153-000	R30 - 39
FB5-7009-000	R30 - 46	FS5-7441-000	R40 - 50	WC4-5153-000	R11 - 34
FB6-0775-000	R40 - 26	FS5-7442-000	R40 - 57	WD3-5057-000	R35 - 6
FB6-3900-000	R10 - 4	FS5-8618-000	R30 - 35	WS3-0437-000	R B - J27
FB6-3901-000	R10 - 5	FS6-0053-020	R40 - 47	WS3-5018-000	R B - J7050
FB6-3904-000	R10 - 14	FS6-0091-000	R40 - 48	WS3-5160-000	R B - J3
FB6-3905-000	R10 - 3	FS6-0722-000	R30 - 36	WS3-5419-000	R B - J26
FB6-3907-000	R11 - 2	FS6-0907-000	R40 - 49		R B - J31
FB6-3910-000	R11 - 9	FS6-0909-000	R30 - 37	WS3-5569-000	R B - J4
FB6-3915-000	R10 - 6	FS6-0912-000	R10 - 23		R B - J7
FB6-3924-000	R10 - 24	FS6-0913-000	R10 - 16		R B - J22
FB6-3925-000	R01 - 4	FS6-2593-000	R11 - 28	WS3-5598-000	R B - J22
FB6-4854-000	R30 - 3	FS6-2673-000	R30 - 38	WS4-0217-000	R B - J201

PART NUMBER	FIGURE & KEY NO.	PART NUMBER	FIGURE & KEY NO.	PART NUMBER	FIGURE & KEY NO.
WS4-0219-000	R B - J201				
	R B - J202				
WS5-5025-000	R B - IL1				
WT2-5041-000	R35 - 3A				
	R35 - 7				
X62-6825-000	R11 - 35				
XA9-0266-000	R35 - 4				
	R35 - 8				
XA9-0628-000	R35 - 9				
XA9-0721-000	R30 - 40				
XA9-0732-000	R01 - 15				
	R10 - 8				
	R11 - 36				
	R30 - 41				
	R30 - 42				
	R40 - 54				
XB1-2231-009	R11 - 501				
	R30 - 501				
XB1-2300-409	R35 - 501				
	R40 - 501				
XB1-2300-806	R10 - 502				
XB1-2400-409	R35 - 502				
XB1-2400-609	R01 - 501				
	R11 - 502				
	R11 - 507				
	R30 - 502				
	R30 - 503				
	R40 - 502				
XB1-2400-806	R10 - 503				
	R11 - 503				
XB1-2400-809	R01 - 502				
XB4-7301-209	R10 - 508				
XB4-7400-807	R10 - 504				
XB4-7401-006	R10 - 507				
XB6-2400-808	R30 - 504				
XB6-7300-409	R11 - 505				
	R35 - 503				
XB6-7400-609	R30 - 505				
XB6-7400-809	R30 - 506				
	R30 - 507				
XD1-4200-402	R11 - 508				
XD2-1100-242	R30 - 508				
	R40 - 503				
XD2-1100-372	R40 - 504				
XD2-1100-402	R11 - 511				
	R40 - 505				
XD2-1100-502	R10 - 505				
	R11 - 504				
	R11 - 509				
	R30 - 509				
	R40 - 506				
XD2-1100-642	R10 - 506				
	R11 - 506				
	R30 - 510				
	R30 - 511				
	R40 - 507				
XD2-2300-402	R10 - 501				
XD3-1300-082	R40 - 510				
XD3-1300-102	R11 - 510				
XD3-2200-102	R40 - 508				
XD3-2200-122	R30 - 512				
XD3-2200-142	R40 - 509				
XD3-2200-182	R30 - 513				
XF2-3228-532	R10 - 1				
XF9-0525-000	R40 - 55				
XG3-6012-405	R30 - 43				
XG9-0242-000	R40 - 56				
XG9-0250-000	R30 - 44				

D4 NUMERICAL INDEX (Cassette Feeding Unit-X1)

PART NUMBER	FIGURE & KEY NO.	PART NUMBER	FIGURE & KEY NO.	PART NUMBER	FIGURE & KEY NO.
FB6-3313-000	Z12 - 1	FG3-2458-000	Z11 - 3	PCB	Z B - J1107
FB6-3331-000	Z12 - 3	FG3-2459-000	Z20 - 3	RB1-6539-000	Z40 - 54
FB6-3380-000	Z40 - 1	FG3-2460-000	Z11 - 1	RB1-8945-000	Z40 - 55
FB6-3386-000	Z40 - 2	FG3-3008-000	Z11 - 39	RH7-6066-000	Z91 - RL1
FB6-3387-000	Z40 - 3	FG6-9027-000	Z40 -	RH7-9021-000	Z91 - L2
FB6-3388-000	Z40 - 4	FG6-9044-000	Z30 -	RS5-1567-000	Z40 - 56
FB6-3389-000	Z40 - 5	FG6-9151-000	Z12 -	VD7-0216-001	Z91 - 1
FB6-3390-000	Z40 - 6	FG6-9157-000	Z20 -	VD7-0643-151	Z91 - 1
FB6-3391-000	Z40 - 7	FH2-6480-000	Z B - J1032	VD7-2431-002	Z11 - 5
FB6-3392-000	Z40 - 8		Z B - J1033	VD7-2431-502	Z11 - 5
FB6-3393-000	Z40 - 9	FH2-6481-000	Z B - J950	VS1-5057-002	Z40 - 59A
FB6-3394-000	Z40 - 10	FH2-6492-000	Z11 - 17		Z B - J1018
FB6-3395-000	Z40 - 11	FH2-6552-000	Z11 - 35		Z B - J1024
FB6-3396-000	Z40 - 12	FH2-7040-000	Z11 - 2	VS1-5057-003	Z32 - 5
FB6-3397-000	Z40 - 13		Z B - J1100		Z B - J1044
FB6-3398-000	Z40 - 14	FH2-7041-000	Z11 - 2	VS1-5452-007	Z B - J481
FB6-3399-000	Z40 - 15		Z B - J1100		Z B - J486
FB6-3402-000	Z40 - 18	FH2-7060-000	Z11 - 2		Z B - J950
FB6-3403-000	Z40 - 19		Z B - J1100		Z B - J1032
FB6-3404-000	Z40 - 20	FH3-0695-000	Z91 - T1	VS1-5452-008	Z B - J1040
FB6-3405-000	Z40 - 21	FH3-0725-000	Z91 - L181		Z B - J485
FB6-3407-000	Z40 - 22	FH3-0975-000	Z91 - L5		Z B - J950
FB6-3408-000	Z40 - 23	FH4-1427-000	Z90 - IC5		Z B - J1033
FB6-3410-000	Z40 - 17	FH6-1972-000	Z20 - 1		Z B - J1041
FB6-3411-000	Z40 - 24	FH6-5055-000	Z40 - 27	VS1-5729-002	Z B - J1042
FB6-3413-000	Z40 - 29	FH7-4740-000	Z32 - 1	VS1-5729-003	Z B - J1043
FB6-3475-000	Z30 - 1		Z B - J1108	VS1-5729-005	Z B - J1105
FB6-3478-000	Z30 - 2	FH7-7312-000	Z11 - 21	VS1-5820-007	Z11 - 25
FB6-3479-000	Z30 - 3		Z40 - 28		Z B - J1040
FB6-3480-000	Z30 - 4	FH7-9245-000	Z91 - L1	VS1-5820-008	Z11 - 33
FB6-3481-000	Z30 - 5	FH9-0186-000	Z90 - CP1		Z B - J1041
FB6-3482-000	Z30 - 6		Z90 - CP2	VS1-5824-002	Z B - J489
FB6-3483-000	Z30 - 7	FS1-1205-000	Z40 - 30	VS1-5824-003	Z B - J1044
FB6-3484-000	Z30 - 8	FS1-1213-000	Z40 - 60	VS1-6084-007	Z B - J481
FB6-3485-000	Z30 - 9	FS5-1595-000	Z12 - 4	VS1-6197-014	Z B - J481
FB6-3486-000	Z30 - 10	FS5-1597-000	Z40 - 31	VS1-6313-014	Z B - J482
FB6-3487-000	Z30 - 11	FS6-1063-000	Z40 - 32		Z B - J1012
FB6-3488-000	Z30 - 12	FS6-8116-000	Z30 - 27	VS1-6314-005	Z B - J483
FB6-3489-000	Z30 - 13	FS7-2788-000	Z12 - 5		Z B - J1028
FB6-3490-000	Z30 - 14	FS7-2789-000	Z12 - 6		Z B - J1029
FB6-3491-000	Z30 - 15	FS7-2797-000	Z40 - 33	VS1-6314-008	Z B - J487
FB6-3492-000	Z11 - 26	FS7-2798-000	Z40 - 34	VS1-6314-010	Z B - J484
FB6-3493-000	Z11 - 27	FS7-2800-000	Z11 - 22		Z B - J1014
FB6-3494-000	Z11 - 28		Z40 - 35	VS1-6314-014	Z B - J482
FB6-3499-000	Z30 - 17A	FS7-2801-000	Z40 - 36		Z B - J1010
FB6-3504-000	Z10 - 1	FS7-2802-000	Z40 - 37		Z B - J1012
FB6-3506-000	Z30 - 16	FS7-2803-000	Z40 - 38	VS1-6318-005	Z11 - 24B
FB6-3507-000	Z11 - 4	FS7-2804-000	Z30 - 18		Z B - J1028
FB6-3522-000	Z30 - 23	FS7-2805-000	Z30 - 19		Z B - J1029
FB6-3523-000	Z30 - 24	FS7-2806-000	Z30 - 20	VS1-6318-010	Z11 - 24C
FB6-3524-000	Z30 - 25	FS7-2807-000	Z11 - 29		Z B - J1014
FB6-4030-000	Z10 - 2	FS7-2808-000	Z11 - 30	VS1-6318-014	Z40 - 57
FB6-4031-000	Z10 - 3	FS7-5909-000	Z40 - 39		Z B - J1010
FB6-4032-000	Z10 - 4	FS7-5910-000	Z40 - 40		Z B - J1012
FB6-4033-000	Z10 - 5	FS7-8328-000	Z30 - 26	VS1-6321-002	Z B - J1013
FB6-4035-000	Z10 - 6	FU3-0280-000	Z40 - 41		Z B - J1018
FB6-4036-000	Z10 - 7	FU3-0282-000	Z40 - 43	VS1-6321-003	Z B - J30
FB6-4037-000	Z12 - 2	FU3-0283-000	Z40 - 44		Z B - J488
FB6-4044-000	Z11 - 20	FU3-0284-000	Z40 - 45		Z B - J1016
FB6-4852-000	Z40 - 16	FU3-0285-000	Z20 - 2		Z B - J1017
FB6-5060-000	Z11 - 36	FU3-0288-000	Z40 - 47		Z B - J1019
FF6-0290-000	Z11 - 14	FU3-0289-000	Z40 - 48		Z B - J1020
FF6-2058-000	Z40 - 25	FU3-0290-000	Z40 - 49		Z B - J1022
FF6-2059-000	Z40 - 26	FU3-0291-000	Z40 - 50		Z B - J1023
FF6-2064-000	Z30 - 17	FU3-0292-000	Z40 - 51		Z B - J1025
FF6-2168-000	Z11 - 34	FU3-0293-000	Z30 - 21		Z B - J1026
FG3-2302-000	Z40 - 59	FU3-0294-000	Z30 - 22		Z B - J1027
FG3-2340-000	Z32 - 3	FU3-0347-000	Z40 - 53		Z B - J1044
FG3-2342-000	Z32 - 4	FU3-0349-000	Z40 - 42	VS1-6321-004	Z B - J1015
FG3-2348-000	Z11 - 32	FU3-0350-000	Z40 - 52		Z B - J1021
FG3-2441-000	Z90 -	FU3-0352-000	Z40 - 46	VS1-6321-005	Z B - J1030
FG3-2443-000	Z91 -	PCB	Z B - J1		Z B - J1031
FG3-2444-000	Z91 -		Z B - J30	VS3-5083-000	Z B - J1
FG3-2445-000	Z11 - 7		Z B - J31	VS3-5083-002	Z B - J1042
FG3-2446-000	Z11 - 8		Z B - J480	VS3-5083-003	Z B - J1043
FG3-2447-000	Z11 - 9		Z B - J481		Z B - J1107
FG3-2448-000	Z11 - 10		Z B - J482	VS3-5083-004	Z B - J480
FG3-2449-000	Z11 - 11		Z B - J483	VS3-5083-005	Z B - J1105
FG3-2450-000	Z11 - 1		Z B - J484	VS3-5083-009	Z B - J31
FG3-2451-000	Z11 - 12		Z B - J485	VS4-0001-003	Z B - J1106
FG3-2452-000	Z11 - 13		Z B - J486	VS4-0002-002	Z B - J1108
FG3-2453-000	Z11 - 18		Z B - J487	VS4-0002-003	Z B - J1106
FG3-2454-000	Z11 - 19		Z B - J488	VT2-5161-028	Z B - J482
FG3-2456-000	Z11 - 24		Z B - J489	WC1-5129-000	Z32 - 2
FG3-2457-000	Z11 - 23		Z B - J1013	WC2-5332-000	Z11 - 31

PART NUMBER	FIGURE & KEY NO.	PART NUMBER	FIGURE & KEY NO.	PART NUMBER	FIGURE & KEY NO.
WE8-6047-000	Z11 - 37				
WE8-6048-000	Z11 - 38				
WS3-5044-000	Z B - J950				
WS3-5160-000	Z B - J1				
	Z B - J31				
	Z B - J480				
	Z B - J1042				
	Z B - J1043				
	Z B - J1105				
	Z B - J1107				
WS3-5301-000	Z B - J1042				
	Z B - J1043				
WS3-5358-000	Z B - J489				
	Z B - J1044				
WS3-5596-000	Z B - J1032				
	Z B - J1033				
WS4-0217-000	Z B - J1106				
	Z B - J1108				
WS4-0219-000	Z B - J1106				
WS5-5074-000	Z B - J1100				
WS5-5077-000	Z B - J1101				
	Z B - J1102				
	Z B - J1103				
WT1-5381-000	Z11 - 6				
WT2-5041-000	Z11 - 32A				
WT2-5565-000	Z11 - 24A				
	Z20 - 3A				
XA9-0633-000	Z10 - 8				
XA9-0656-000	Z40 - 58				
XB1-2300-807	Z11 - 502				
XB1-2400-407	Z10 - 501				
	Z11 - 507				
XB1-2400-607	Z11 - 508				
	Z32 - 501				
XB1-2400-803	Z11 - 503				
XB1-2401-007	Z11 - 504				
XB2-8300-607	Z30 - 501				
XB3-6300-600	Z20 - 501				
	Z40 - 501				
XB3-6400-800	Z11 - 501				
	Z11 - 509				
XB4-5401-007	Z12 - 501				
XB4-5401-207	Z40 - 502				
XB6-7300-807	Z30 - 502				
XD1-3100-407	Z11 - 505				
XD1-4200-402	Z11 - 506				
XD2-1100-502	Z40 - 503				
XD3-2200-122	Z40 - 504				
XZ9-0494-000	Z11 - 15				
XZ9-0508-000	Z11 - 16				

D5 NUMERICAL INDEX (Plain Pedestal-C1)

PART NUMBER	FIGURE & KEY NO.	PART NUMBER	FIGURE & KEY NO.	PART NUMBER	FIGURE & KEY NO.
FB1-6053-000	Z10 - 1	VS1-6314-010	Z B - J1014		
FB3-2224-000	Z10 - 2	VS1-6321-003	Z B - J30		
FB3-4168-000	Z10 - 3		Z B - J488		
FB3-4171-000	Z11 - 27	VS3-5083-000	Z B - J1		
FB3-7217-000	Z11 - 28	VS3-5083-002	Z B - J1042		
FB6-3443-000	Z10 - 4	VS3-5083-003	Z B - J1043		
FB6-4030-000	Z10 - 5	VS3-5083-004	Z B - J480		
FB6-4031-000	Z10 - 6	VS3-5083-005	Z B - J1105		
FB6-4035-000	Z10 - 7	VS3-5083-009	Z B - J31		
FB6-5051-000	Z10 - 8	VS4-0002-003	Z B - J1106		
FB6-5052-000	Z11 - 26	WE8-6047-000	Z11 - 24		
FB6-5053-000	Z11 - 29	WE8-6048-000	Z11 - 25		
FB6-5054-000	Z10 - 9	WS3-5044-000	Z B - J950		
FE9-0290-000	Z11 - 14	WS3-5160-000	Z B - J1		
FF6-2168-000	Z11 - 19		Z B - J31		
FG3-2441-000	Z90 -		Z B - J480		
FG3-2443-000	Z91 -		Z B - J1042		
FG3-2444-000	Z91 -		Z B - J1043		
FG3-2445-000	Z11 - 7		Z B - J1105		
FG3-2446-000	Z11 - 8	WS3-5301-000	Z B - J1042		
FG3-2447-000	Z11 - 9		Z B - J1043		
FG3-2448-000	Z11 - 10	WS3-5358-000	Z B - J489		
FG3-2449-000	Z11 - 11		Z B - J1044		
FG3-2450-000	Z11 - 1	WS3-5596-000	Z B - J1032		
FG3-2451-000	Z11 - 12		Z B - J1033		
FG3-2452-000	Z11 - 13	WS4-0217-000	Z B - J1106		
FG3-2453-000	Z11 - 17	WS5-5074-000	Z B - J1100		
FG3-2454-000	Z11 - 18	WS5-5077-000	Z B - J1101		
FG3-2460-000	Z11 - 1		Z B - J1102		
FG3-3008-000	Z11 - 23		Z B - J1103		
FH2-6480-000	Z B - J1032	WT1-5381-000	Z11 - 6		
	Z B - J1033	XA9-0633-000	Z10 - 10		
FH2-6481-000	Z B - J950	XB1-2300-807	Z11 - 501		
FH2-6492-000	Z11 - 21	XB1-2400-607	Z11 - 507		
FH2-6552-000	Z11 - 20	XB1-2400-803	Z11 - 502		
FH2-7040-000	Z11 - 22	XB1-2401-007	Z11 - 503		
	Z B - J1100	XB3-6400-800	Z11 - 506		
FH2-7041-000	Z11 - 22	XB4-5400-807	Z10 - 501		
	Z B - J1100	XD1-3100-407	Z11 - 504		
FH2-7060-000	Z11 - 22	XD1-4200-402	Z11 - 505		
	Z B - J1100	XZ9-0494-000	Z11 - 15		
FH3-0695-000	Z91 - T1	XZ9-0508-000	Z11 - 16		
FH3-0725-000	Z91 - L181				
FH3-0975-000	Z91 - L5				
FH4-1427-000	Z90 - IC5				
FH7-9245-000	Z91 - L1				
FH9-0186-000	Z90 - CP1				
	Z90 - CP2				
PCB	Z B - J1				
	Z B - J30				
	Z B - J31				
	Z B - J480				
	Z B - J481				
	Z B - J485				
	Z B - J486				
	Z B - J488				
	Z B - J489				
RH7-6066-000	Z91 - RL1				
RH7-9021-000	Z91 - L2				
VD7-0216-001	Z91 - 1				
VD7-0643-151	Z91 - 1				
VD7-2431-002	Z11 - 5				
VD7-2431-502	Z11 - 5				
VS1-5057-003	Z11 - 2				
	Z B - J1044				
VS1-5452-007	Z B - J481				
	Z B - J486				
	Z B - J950				
	Z B - J1032				
	Z B - J1040				
VS1-5452-008	Z B - J485				
	Z B - J950				
	Z B - J1033				
	Z B - J1041				
VS1-5729-002	Z B - J1042				
VS1-5729-003	Z B - J1043				
VS1-5729-005	Z B - J1105				
VS1-5820-007	Z11 - 3				
	Z B - J1040				
VS1-5820-008	Z11 - 4				
	Z B - J1041				
VS1-5824-002	Z B - J489				
VS1-5824-003	Z B - J1044				
VS1-6084-007	Z B - J481				
VS1-6197-014	Z B - J481				

D6 NUMERICAL INDEX

PART NUMBER	FIGURE & KEY NO.	PART NUMBER	FIGURE & KEY NO.	PART NUMBER	FIGURE & KEY NO.
FH5-3402-000 FH5-3403-000	G90 - 1 G90 - 2				

D7 NUMERICAL INDEX (Super G3 FAX Board-M1)

PART NUMBER	FIGURE & KEY NO.	PART NUMBER	FIGURE & KEY NO.	PART NUMBER	FIGURE & KEY NO.
FB5-5130-000	G10 - 2	VS3-5083-002	G B - J713		
FB6-5455-000	G10 - 4	VS3-5083-003	G B - J714		
FB6-5456-000	G10 - 4	VT2-5161-040	G B - J31		
FB6-5459-000	G10 - 1		G B - J512		
FB6-5460-000	G10 - 5	WE8-5193-000	G20 - 3A		
FG3-1583-020	G20 - 4	WS3-1105-000	G B - J105		
FG3-1584-020	G20 - 4	WS3-5160-000	G B - J713		
FG3-1587-000	G20 - 6		G B - J714		
FG3-1605-000	G20 - 5	WS3-5251-000	G B - J3		
FG3-1992-000	G20 - 4		G B - J911		
FG3-3060-000	G20 - 1	WS3-5301-000	G B - J1101		
FG3-3061-000	G20 - 3	WS3-5358-000	G B - J557		
FG3-3062-000	G20 - 10		G B - J559		
FG3-3063-000	G20 - 11	WS3-5569-000	G B - J104		
FG3-3065-000	G20 - 12	WS3-5720-000	G B - J560		
FG3-3066-000	G20 - 13	WT1-5155-000	G B - J3		
FG3-3067-000	G20 - 14		G B - J4		
FG3-3068-000	G20 - 15		G B - J10		
FG3-3069-000	G20 - 10		G B - J911		
FG3-3070-000	G20 - 10		G B - J911		
FG3-3138-000	G20 - 4	WT8-5076-000	G20 - 9		
FG3-3139-000	G20 - 7	XB6-7300-607	G20 - 501		
FG3-3140-000	G20 - 7		G20 - 502		
FG3-3141-000	G20 - 7	XB6-7400-607	G10 - 501		
FG3-3142-000	G20 - 7				
FG3-3286-000	G20 - 3				
FH2-7032-000	G20 - 16				
	G B - J1				
FH2-7033-000	G B - J102				
	G20 - 17				
	G B - J6				
	G B - J103				
FH5-3218-000	G10 - 3				
FH5-3400-000	G20 - 2				
HG1-4365-000	G20 - 8				
HG5-1866-000	G20 - 8				
HG5-2587-000	G20 - 8				
HG5-2598-000	G20 - 8				
HH2-1914-000	G20 - 18				
HH2-2478-000	G20 - 18				
HH2-2830-000	G20 - 18				
PCB	G B - J1				
	G B - J2				
	G B - J3				
	G B - J4				
	G B - J6				
	G B - J10				
	G B - J31				
	G B - J101				
	G B - J102				
	G B - J103				
	G B - J104				
	G B - J105				
	G B - J712				
	G B - J713				
	G B - J714				
	G B - J911				
	G B - J1101				
VS1-5057-002	G20 - 1A				
	G20 - 14A				
	G B - J557				
	G B - J559				
VS1-5452-006	G B - J2				
	G B - J101				
VS1-5729-002	G B - J1101				
VS1-5824-002	G B - J557				
	G B - J559				
VS1-6302-014	G B - J104				
VS1-6313-020	G B - J31				
	G B - J512				
VS1-6314-004	G B - J539				
	G B - J712				
VS1-6314-020	G B - J31				
	G B - J512				
VS1-6318-004	G20 - 15A				
	G B - J539				
VS1-6319-040	G B - J512				
VS1-6702-012	G B - J560				
VS3-0143-002	G B - J105				
VS3-0143-006	G B - J3				
VS3-0143-011	G B - J911				
VS3-5080-002	G B - J4				
VS3-5080-005	G B - J10				
VS3-5080-007	G B - J3				
	G B - J911				

D8 NUMERICAL INDEX (UFR Printer and Scanner Kit-A1)

PART NUMBER	FIGURE & KEY NO.	PART NUMBER	FIGURE & KEY NO.	PART NUMBER	FIGURE & KEY NO.
FG6-8983-000 FH5-3395-000 FH5-3399-000 FH5-3401-000	G95 - G95 - 1 G95 - 2 G95 - 3				

D9

NUMERICAL INDEX (Color Network Multi-PDL Printer Kit-A1)

PART NUMBER	FIGURE & KEY NO.	PART NUMBER	FIGURE & KEY NO.	PART NUMBER	FIGURE & KEY NO.
FG6-8983-000 FH5-3388-000 FH5-3390-000 FH5-3391-000 FH5-3392-000	G96 - 4 G96 - 1 G96 - 2 G96 - 3 G96 - 3				

D10 NUMERICAL INDEX (Color Universal Send Kit-A1)

PART NUMBER	FIGURE & KEY NO.	PART NUMBER	FIGURE & KEY NO.	PART NUMBER	FIGURE & KEY NO.
FH5-3393-000	Y10 - 1				

D11 NUMERICAL INDEX (iR Security Kit-A1)

PART NUMBER	FIGURE & KEY NO.	PART NUMBER	FIGURE & KEY NO.	PART NUMBER	FIGURE & KEY NO.
FH5-3363-000 FH5-3394-000	Y10 - 1 Y10 - 1				

Prepared by
OFFICE IMAGING PRODUCTS DEVICE QUALITY ASSURANCE CENTER
CANON INC.
Printed in Japan

REVISION 0 [NOV. 2002]

5-1, Hakusan 7-chome, Toride-city, Ibaraki 302-8501, Japan



This publication is
printed on 100%
recycled paper.

Canon